

Product overview

Single use surgical gowns, draping material and disposable clothing

Table of Contents.....	3-5
A Code index REFERENCE numbers.....	6-7
B Code index STERILE numbers.....	8-9
C Code index UNSTERILE numbers.....	10
1 Surgical gowns.....	11
1.1 SMS surgical gowns Standard	11
1.1 SMS surgical gowns Reinforced	12
1.3 Prestico® surgical gowns Standard and Reinforced	13
1.4 Spunlace surgical gowns Standard and Reinforced	14
1.5 Haloguard surgical gown	15
1.6 TUR gown	15
1.7 Chemo gown	16
2 General drapes.....	17
2.1 Table covers	17
2.2 Double table covers (Mega)	18
2.3 Special table cover (vertical part)	18
2.4 Mayo stand covers	19
2.5 General drapes SMS material	20
2.6 General drapes 2-layer material	21
2.7 General drapes 3-layer material	23
2.8 General drapes Spunlace material	25
2.9 General drapes PE transparent	26
3 General surgery.....	27
3.1 Top drapes	27
3.2 Top drapes U-Bar	27
3.3 Bottom drapes	28
3.4 Side drapes	28
3.5 Split drapes	29
3.6 Fenestrated drapes	35
4 Orthopedics.....	50
4.1 Extremity drapes.....	50
4.2 Arthroscopy drapes	54
4.3 Shoulder drapes	55
4.4 Hip drapes	57
5 Neurology.....	61
5.1 HNP (Hernia Nuclei Pulposi)	61
5.2 Craniotomy drapes	61

6 Gynaecology, obstetrics and urology	64
6.1 Laparoscopy/tomy drapes	64
6.2 C-Section drapes	65
6.3 Gynaecology - Laparotomy drapes	67
6.4 Gynaecology - Urology drapes	72
6.5 Under buttocks drapes	76
6.6 Between leg drapes	77
6.7 TUR drapes	78
6.8 Urology drapes other	84
7 Ophthalmology	85
7.1 Eye drapes with 2 fluid bags	85
7.2 Eye drapes with 1 fluid bag	87
7.3 Eye drapes other (without fluid bag)	88
8 ENT (Ear, Nose, Throat)	90
8.1 Head drapes	90
8.2 Facial drapes	91
8.3 Dental drapes	92
9 Cardiovascular surgery	95
9.1 Cardiovascular drape	95
10 Angiography	98
10.1 Femoral Angiography drapes	98
10.2 Femoral Radial Angiography drapes	105
10.3 Pacemaker drapes	114
11 Anesthesia drapes	116
11.1 CV drapes	116
12 Pediatric drapes	120
12.1 Top/bottom drapes.....	120
12.2 Side drapes.....	120
12.3 Split drapes.	121
12.4 Variable omega drape.....	121
12.5 Spunlace drapes..	122
12.6 Fenestrated drapes.....	122
12.7 Angio drape.....	123
13 Standard drape pack	124
13.1 Universal pack	124
14 Drapes for outpatient use	125
14.1 Tissue laminate drapes	125
14.2 Tissue laminate fenestrated drapes	125
14.3 Small drapes, 2-ply material	126

15 Accessories	127
15.1 Tape strip	127
15.2 Tube holder (velcro + tape)	127
15.3 Chaircover.....	128
15.4 Backrest cover	128
15.5 Leg cover	129
15.6 Armrest cover	129
15.7 Stockinettes	130
15.8 Towel	131
15.9 Baby sheet	13 1
15.10 Diathermia bags	13 2
15.11 Fluid collection pouches	135
15.12 Transparent covers	137
16 Equipment covers	138
16.1 Dome bags, round	138
16.2 Band bags, special	138
16.3 Band bags, square	139
16.4 Drill covers	140
16.5 Camera covers	140
17 Disposable clothing	141
17.1 Visitor gowns	141
17.2 SMS isolation gown	141
17.3 Warm-up jacket	142
17.4 Coverall	142
17.5 Bouffant cap	143
17.6 Shoe covers	143
17.7 Sleeve	143
17.8 Aprons	144

A Code index REFERENCE numbers

Number	Page	Number	Page	Number	Page	Number	Page	Number	Page
1301114	126	1301920	30	1302221	11	1302746	73	1303241	108
1301214	140	1301921	20	1302228	20	1302776	93	1303245	118
1301229	102	1301924	76	1302231	35	1302777	142	1303256	28
1301238	39	1301925	129	1302232	35	1302779	109	1303257	120
1301263	98	1301926	53	1302233	35	1302783	17	1303277	122
1301280	140	1301927	20	1302235	85	1302786	140	1303288	125
1301295	92	1301928	50	1302265	132	1302805	47, 61	1303289	125
1301318	136	1301929	54	1302275	57	1302805	64	1303290	118
1301336	21	1301932	72	1302290	90	1302806	19	1303328	49
1301341	128	1301933	35	1302291	33	1302829	27	1303341	12
1301359	92	1301949	95	1302292	60	1302830	28	1303342	12
1301367	23	1301958	17	1302299	94	1302844	77	1303343	12
1301372	21	1301961	91	1302314	38	1302896	93	1303344	12
1301382	37	1301963	61	1302382	80	1302905	17	1303345	12
1301441	38	1301974	140	1302386	138	1302906	71	1303346	12
1301443	22	1301975	21	1302399	78	1302933	127	1303371	65
1301446	22	1301977	50	1302425	93	1302934	127	1303372	37
1301484	140	1301983	114	1302460	26	1302935	127	1303391	137
1301491	130	1301985	86	1302480	90	1302943	44	1303414	36
1301499	24	1301990	23	1302482	90	1302945	31	1303421	113
1301513	130	1301991	24	1302483	92	1302955	138	1303433	118
1301539	37	1301993	89	1302484	84	1302993	51	1303456	81
1301555	25	1301995	86	1302485	36	1302999	30	1303480	125
1301564	99	1302005	21	1302486	92	1303070	22	1303482	67
1301574	21	1302008	24	1302490	140	1303075	119	1303542	137
1301576	53	1302056	103	1302512	136	1303099	69	1303578	21
1301578	39	1302078	133	1302542	52	1303107	87	1303579	21
1301584	83	1302079	119	1302544	56	1303112	30, 34	1303584	48
1301673	143	1302080	133	1302545	52	1303114	37	1303591	111
1301691	141	1302082	133	1302550	128	1303147	115	1303592	110
1301725	86	1302084	132	1302551	38	1303148	135	1303606	138
1301732	24	1302095	123	1302555	46	1303159	142	1303663	137
1301739	129	1302102	127	1302556	29	1303194	62	1303676	29
1301741	15	1302104	127	1302557	140	1303195	119	1303677	31
1301824	121	1302124	36,89	1302566	81	1303198	138	1303679	53
1301829	14	1302127	75	1302568	134	1303204	17	1303680	55
1301853	21	1302128	75	1302593	45	1303205	17	1303681	57
1301874	14	1302149	132	1302620	26	1303206	17	1303688	79
1301878	14	1302168	27	1302633	72	1303207	17	1303696	60
1301880	27	1302169	28	1302640	55	1303208	17	1303698	139
1301881	28	1302170	28	1302641	53	1303209	17	1303752	65
1301882	28	1302182	70	1302650	76	1303224	29	1303754	112
1301902	19	1302185	133	1302658	74	1303224	34	1303776	77
1301907	106	1302215	101	1302670	140	1303224	121	1303778	26
1301908	105	1302219	11	1302676	140	1303225	43	1303788	68
1301915	143	1302220	11	1302700	107	1303225	64	1303798	40, 64

A Code index REFERENCE numbers (continued)

Number	Page	Number	Page	Number	Page	Number	Page	Number	Page
1303804	12	1304391	26	1304937	127	1307096	25	1307647	28
1303805	11	1304404	134	1304959	12	1307133	88	1307648	77
1303806	20	1304405	32	1304967	18	1307138	27	1307673	116
1303811	36	1304439	140	1304976	28	1307176	27	1307674	130
1303820	125	1304441	139	1305218	133	1307182	140	1307675	116
1303873	29, 121	1304530	66	1305854	132	1307188	26	1307684	25, 131
1303875	27	1304553	54	1305876	65	1307190	19	1307687	59
1303876	53	1304554	111	1306166	138	1307211	32	1307689	18
1303877	114	1304565	18	1306195	138	1307214	128	1308033	136
1303884	34	1304571	136	1306197	138	1307241	38, 89	1308756	138
1303935	17	1304579	24	1306199	138	1307243	130	1309403	37, 126
1303957	38	1304589	140	1306204	139	1307244	63	1309415	22
1303971	76	1304630	50	1306205	139	1307253	30	1309428	22, 126
1304011	17	1304638	138	1306206	139	1307267	31	1309480	133
1304035	93	1304672	32	1306207	139	1307295	38	1309495	21
1304040	88	1304679	65, 131	1306208	139	1307298	142	1309572	21, 126
1304050	27	1304681	139	1306209	139	1307299	77	1309685	140
1304051	28	1304683	37	1306211	139	1307335	13	1309812	135
1304053	28	1304688	129	1306212	139	1307336	13	1309963	125
1304055	38	1304704	58	1306213	139	1307337	13		
1304062	11	1304711	97	1306214	139	1307338	13		
1304063	11	1304732	140	1306397	140	1307339	13		
1304073	22	1304772	139	1306748	11	1307340	13		
1304079	24	1304778	33	1306749	11	1307341	13		
1304088	21	1304792	130	1306750	11	1307342	13		
1304099	21	1304793	130	1306754	17	1307343	13		
1304103	22	1304803	18	1306755	17	1307344	13		
1304116	88	1304808	96	1306756	17	1307345	13		
1304140	100	1304815	128	1306757	17	1307346	13		
1304178	15	1304830	139	1306758	17	1307351	13		
1304179	15	1304845	139	1306759	17	1307379	130		
1304181	17	1304849	21	1306760	19	1307380	130		
1304184	136	1304850	23	1306800	137	1307410	139		
1304197	135	1304851	23	1306929	131	1307438	134		
1304199	27	1304852	23	1306944	16, 143	1307472	42		
1304201	139	1304853	24	1306950	85	1307496	66		
1304213	11	1304854	138	1306951	122	1307506	89		
1304214	11	1304861	138	1306954	31, 34	1307512	20, 28		
1304223	82	1304872	68	1306957	136	1307563	127		
1304268	27	1304873	139	1306965	90	1307564	127		
1304271	104	1304874	20, 28	1307023	117	1307598	41		
1304311	125	1304875	27	1307039	25	1307628	20, 120		
1304326	30	1304917	91	1307074	28	1307629	28		
1304353	22	1304918	78	1307076	14	1307630	141		
1304361	140	1304920	140	1307093	25, 122	1307645	31		
1304372	140	1304936	140	1307094	121	1307646	28		

B Code index STERILE numbers

Number	Page	Number	Page	Number	Page	Number	Page
77000	22, 126	103019AA	133	105832AA	139	107697AA	31
77001	21, 126	103148AA	132	105965AA	46	107949AA	27
77002	37, 126	103468AA	122	106072AA	75	108016AA	44
77003	37, 126	103492AA	83	106168AA	52	108024AA	93
2540650	14	103496AA	92	106176AA	27	108025AA	88
2542530	11	103500AA	102	106180AA	28	108165AA	69
2542550	11	103502AA	70	106183AA	29	108234AA0	132
2542600	13	103513AA	132	106185AA	30	108255AA	87
2542650	13	103516AA	122	106190AA	20	108262AA	30
2542660	13	103623AA	17	106191AA	20	108262AA	34
2542670	13	103646AA	85	106194AA	92	108286AA	142
2542680	13	103647AA	93	106195AA	92	108381AA	51
2542690	13	103661AA	25	106201AA	20	108385AA	119
2544510	12	103664AA	133	106214AA	24	108390AA	135
2544520	11	103665AA	133	106223AA	36	108396AA	115
2544590	12	103698AA	62	106227AA	50	108406AA	23
2544600	12	103724AA	139	106234AA	52	108471AA	132
2544610	12	103744AA	139	106236AA	53	108473AA	133
2544630	12	103758AA	19	106239AA	72	108485AA	61
2544640	12	103844AA	122	106244AA	81	108604AA	127
2544660	11	103855AA	63	106246AA	78	108695AA	111
2544680	15	104030AA	31	106247AA	84	108740AA	119
2544700	11	104362AA	54	106248AA	85	108764AA	127
2544710	11	104388AA	77	106252AA	90	108767AA	118
2544730	12	104425AA	139	106253AA	90	108820AA	120
2544800	11	104529AA	21	106260AA	129	108821AA	120
2544810	11	104532AA	21	106263AA	35	108989AA	118
2544820	14	104537AA	75	106264AA	35	109352AA	36
2544830	15	104538AA	75	106275AA	27	109448AA	108
2544850	13	104552AA	123	106289AA	24	109513AA	49
2544860	13	104733AA	32	106308AA	138	109532AA	30
2544870	13	104733AA	33	106336AA	140	109760AA	85
2544880	13	104753AA	24	106498AA	76	109875AA	113
2544890	13	104772AA	86	106550AA	74	109947AA	53
2544950	12	105113AA	27	106558AA	95	109972AA	65
2544960	11	105256AA	80	106613AA	134	109974AA	81
2544970	15	105260AA	27	106650AA	95	11000EGA	124
2544980	14	105264AA	56	106850AA	73	11002EG	124
2545010	14	105336AA	90	106871AA	109	11002EG	130
2545020	13	105362AA	22	106914AA	142	110030AA	86
2580810	133	105432AA	21	107090AA	47	11003EG	130
100532AA	21	105456AA	32	107127AA	107	110205AA	21
101428AA	135	105646AA	26	107134AA	53	110206AA	22
101694AA	137	105683AA	28	107307AA	71	110234AA	26
102040AA	21	105728AA	140	107413AA	55	110236AA	28
102329AA	103	105762AA	57	107511AA	19	110238AA	38
102444AA	119	105763AA	130	107534AA	56	110246AA	94
102727AA	38	105764AA	130	107691AA	93	110247AA	118

B Code index STERILE numbers (continued)

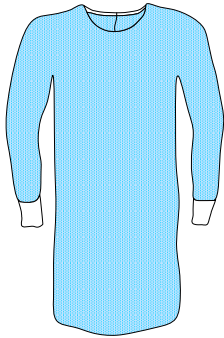
Number	Page	Number	Page	Number	Page	Number	Page
110248AA	22	113845AA	17	117050AA	17	68510	140
110248AA	120	113979AA	136	117051AA	28	68520	140
110250AA	17	114198AA	82	117052AA	98	68521	140
11038EG	30	114201AA	28	117055AA	25	68522	138
110431AA	137	114314AA	76	117056AA	131	68523	138
11052EGA	17	114316AA	27	117057AA	99	68530	138
110734AA	34	114317AA	28	117061AA	90	68531	138
110770AA	110	114594AA	104	117062AA	143	68534	140
110795AA	140	114718AA	17	117063AA	22	68535	140
110799AA	127	114719AA	22	117065AA	50	68538	138
11081EG	19	114727AA	27	117066AA	91	68542	140
110935AA	128	11472AA	30	117069AA	21	68549	139
110952AA	136	114787AA	134	117070AA	21	68551	140
11104EGC	13	11506EG	12	117071AA	22	68552	139
111063AA	29	115070AA	112	117072AA	22	68555	140
11110EGC	13	11513EG	12	117073AA	106	68557	139
111286AA	65	115152AA	125	117074AA	114	68559	139
111337AA	77	11515EG	17	117075AA	130	68561	138
111433AA	26	115354AA	66	117076AA	19	68563	139
111466AA	68	115367AA	27	117076AA	130	68564	139
111526AA	20	115441AA	54	117077AA	130	68565	138
111540AA	60	115449AA	111	117078AA	17	68568	139
111666AA	29	115661AA	76	117079AA	105	68569	138
111666AA	34	115731AA	50	117080AA	28	68575	139
111666AA	121	115766AA	18	117081AA	60	68577	138
11172EG	127	115791AA	32	117082AA	30	68578	140
11176EG	20	115833AA	65	117083AA	67	68580	139
112224AA	24	115833AA	131	117084AA	17	68581	140
112225AA	24	116055AA	18	117360AA	97	68582	139
112226AA	27	116133AA	40	117408AA	134	68583	139
112227AA	29	116248AA	96	117449AA	58	68595	140
112227AA	121	116581AA	130	117628AA	38	68596	139
112228AA	31	116582AA	130	117649AA	17	77000	22, 126
112229AA	34	116670AA	68	117757AA	66	77001	21, 126
112232AA	53	116855AA	91	117829AA	38	77002	37, 126
112233AA	53	116935AA	128	117936AA	78	77003	37, 126
112234AA	55	117033AA	39	118194AA	127	77018EG	124
112235AA	77	117034AA	31	118195AA	127	94021EG	11
112295AA	57	117035AA	21	118198AA	19		
112296AA	79	117036AA	38	118566AA	26		
112297AA	101	117037AA	37	118738AA	100		
112298AA	114	117039AA	39	118952AA	41		
112299AA	122	117041AA	92	119123AA	59		
112309AA	128	117044AA	117	119318AA	116		
112310AA	129	117045AA	128	22T788C	127		
112312AA	36	117046AA	133	22T790A	127		
112316AA	26	117047AA	17	68500	139		
113795AA	135	117049AA	17	68505	138		

C Code index UNSTERILE numbers

Number	Page
06470	144
06536	143
06551A	19
06567	14
06578	14
06582a	143
06650B	19
06664	142
06665	142
06668	144
06669	144
06680	12
06692	142
06693	142
06695B	11
06696	11
06697	12
06724A	11
106914AA	142
108286AA	142
117068AA	142
17085	16
17085	143

1 Surgical gowns

1.1 SMS surgical gowns **STANDARD**



Length:

L is 120cm, XL is 132cm en XXL is 142cm.

The X-long version is about 12cm longer than the regular size. The L-XXL is 150cm.

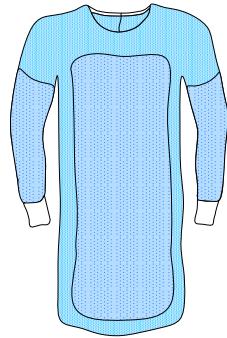
The gowns have elastic cuffs and a velcro closing in the neck.

The sterile gowns are packed in a wrap in a peelable pouch.

The gowns are latex free and comply to EN13795 norm.

Mate	Type	Reference number	Order number sterile	Order number unsterile
L -Xlong	SMS Basic Pro	1304213	2544700 / 94021EG	06695B
XL -XLong	SMS Basic Pro	1304214	2544710 / 94022EG	06696
Basic Pro gown: for relatively dry procedures				
L	SMS Standard	1306748	2544800 (was 2540540)	
XL	SMS Standard	1306749	2544810 (was 2541940) / 11013EGA	
XXL	SMS Standard	1306750	tbd	
L -Xlang	SMS Standard	1302219	2542530	
XL- Xlong	SMS Standard	1302220	2544840 (was 2542540) / 11016EGA	06724A
XXL-Xlong	SMS Standard	1302221	2542550	
L- XXL	SMS Standard	1303805	2544520	
Standard gown: for relatively dry procedures				
L-XL	SMS Standard Pro	1304063	2544660	
XL-XL	SMS Standard Pro	1304062	2544960 (was 2544670)	
Standard Pro gown: for relatively dry procedures				

1.2 SMS surgical gowns **REINFORCED**



Mate	Type	Reference number	Order number sterile	Order number unsterile
XL-XL	SMS Basic Pro Polyethylene reinforced (PRF)	1304959	2544730	06697
Polyethylene reinforced (PRF): impermeable at sleeves and chest/abdomen area, suitable for wet to very wet procedures.				
L	SMS Polyethylene reinforced (PRF)	1303341	2544590	
XL	SMS Polyethylene reinforced (PRF)	1303342	2544600	
XXL	SMS Polyethylene reinforced (PRF)	1303343	2544610	
L –Xlang	SMS Polyethylene reinforced (PRF)	1303344	2544950 (was 2544620) / 11506EG	
XL –Xlong	SMS Polyethylene reinforced (PRF)	1303345	2544630 / 11513EG	06680
XXL –Xlong	SMS Polyethylene reinforced (PRF)	1303346	2544640	
L- XXL	SMS Polyethylene reinforced (PRF)	1303804	2544510	
Polyethylene reinforced (PRF): impermeable at sleeves and chest/abdomen area, Suitable for wet to very wet procedures.				

Length:

L is 120cm, XL is 132cm en XXL is 142cm.

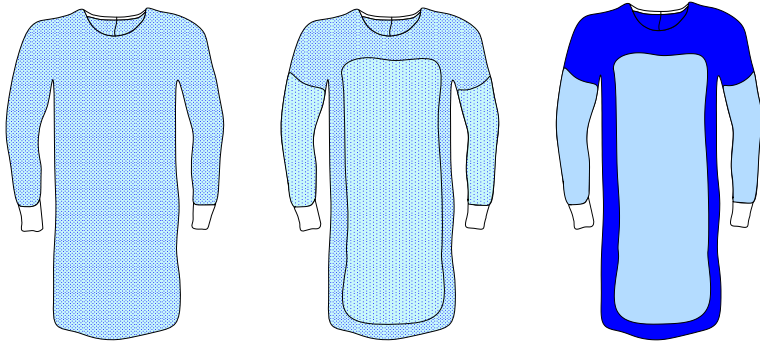
The X-long version is about 12cm longer than the regular size. The L-XXL is 150cm.

The gowns have elastic cuffs and a velcro closing in the neck.

The sterile gowns are packed in a wrap in a peelable pouch.

The gowns are latex free and comply to EN13795 norm.

1.3 Prestico® Surgical gowns **STANDARD** and **REINFORCED**



 Prestico®
  Prestico®
  FRF
  Prestico®
  PRF

Mate	Type	Reference number	Order number sterile
L	Prestico® Standard	1307335	2544850 (was 2542560)
XL	Prestico® Standard	1307336	2544860 (was 2542570) / 11101EGC
XXL	Prestico® Standard	1307337	2544870 (was 2542580)
L -Xlang	Prestico® Standard	1307338	2544880 (was 2542590) / 11103EGC
XL -Xlong	Prestico® Standard	1307339	2542600 / 11104EGC
XXL -Xlong	Prestico® Standard	1307340	2544890 (was 2542610)
Standard gown: for relatively dry procedures.			
L	Prestico® Material reinforced (FRF)	1307341	2542650
XL	Prestico® Material reinforced (FRF)	1307342	2542660
XXL	Prestico® Material reinforced (FRF)	1307343	2542670
L -Xlang	Prestico® Material reinforced (FRF)	1307344	2542680
XL -Xlong	Prestico® Material reinforced (FRF)	1307345	2542690 / 11110EGC
XXL -Xlong	Prestico® Material reinforced (FRF)	1307346	2545020
Material reinforced: for relatively wetter procedures.			
XL-Xlong	Prestico® Polyethylene reinforced (PFR)	1307351	2544900 (was 2544230)
Polyethylene reinforced (PRF): impermeable at sleeves and chest/abdomen area, suitable for wet to very wet procedures.			

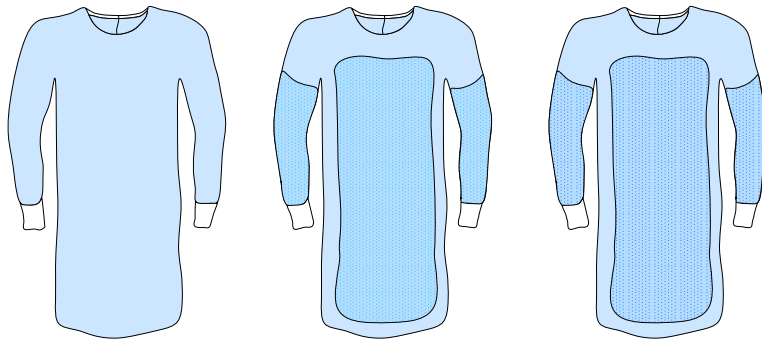
Length:
 L is 120cm, XL is 132cm en XXL is 142cm.
 The X-long version is about 12cm longer than the regular size. The L-XXL is 150cm.

The gowns have elastic cuffs and a velcro closing in the neck.

The sterile gowns are packed in a wrap in a peelable pouch.

The gowns are latex free and comply to EN13795 norm.

1.4 Spunlace surgical gowns **STANDARD** and **REINFORCED**



Spunlace
 Spunlace
 FRF
 Spunlace
 PRF

Mate	Type	Reference number	Order number sterile	Order number unsterile
XL -Xlong	Standard	1301874	2544820 (was 2542090)	
Standard gown: for relatively dry procedures.				
L	Material reinforced (FRF)	1307076	2540650	06567
XL -Xlong	Material reinforced (FRF)	1301829	2544980 (was 2542120)	
Material reinforced: for relatively wetter procedures.				
XL -Xlong	Polyethylene reinforced (PRF)	1301878	2545010 (was 2542150)	06578
Polyethylene reinforced (PRF): impermeable at sleeves and chest/abdomen area, suitable for wet to very wet procedures.				

Length:

L is 120cm, XL is 132cm en XXL is 142cm.

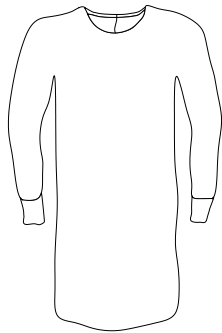
The X-long version is about 12cm longer than the regular size. The L-XXL is 150cm.

The gowns have elastic cuffs and a velcro closing in the neck.

The sterile gowns are packed in a wrap in a peelable pouch.

The gowns are latex free and comply to EN13795 norm.

1.5 Haloguard gown (breathable high performance surgical gown)



○ non-woven with breathable PE layer

Gown just available in extra long version.

Breathable material gives a lot of comfort and yet optimal protection.

The gowns have elastic cuffs and a velcro closing in the neck.

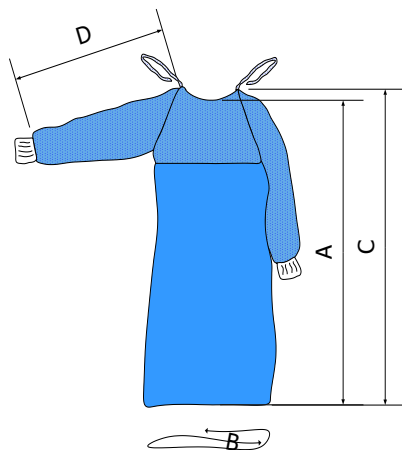
The sterile gowns are packed in a wrap in a peelable pouch.

The gowns are latex free and comply to EN13795 norm.

Mate	Material	Reference number	Order number sterile
L-XL	Non-woven, fully laminated with breathable PE	1304179	2544680
XL-XL	Non-woven, fully laminated with breathable PE	1304178	2544970 (was 2544690)

High performance : suitable for use in wet procedures.

1.6 TUR gown



● SMMS ● PE/blue

Dimensions: A=144cm, B=146cm, C=154cm, D=91cm.

Bottom part fully impervious to prevent break through.

Suitable for seated procedures.

The gowns have elastic cuffs and a velcro closing in the neck.

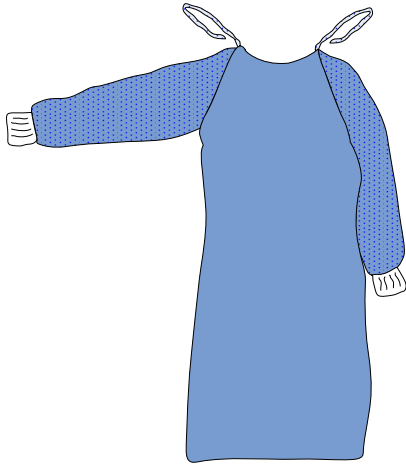
The sterile gowns are packed in a wrap in a peelable pouch.

The gowns are latex free and comply to EN13795 norm.

Mate	Material	Reference number	Order number sterile
XL	SMS + PE blue	1301741	2544830 (was 2542350)

Suitable for seated and very wet procedures

1.7 Chemo gown

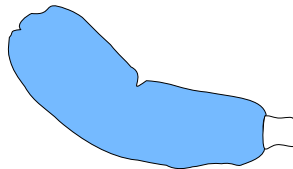


● non woven laminated

Mate	Material	Reference number	Order number sterile
XL	Non-woven laminated	tbd	85035
Suitable for use with cytostatics*			

*List available upon request

1.8 Arm cover / sleeve

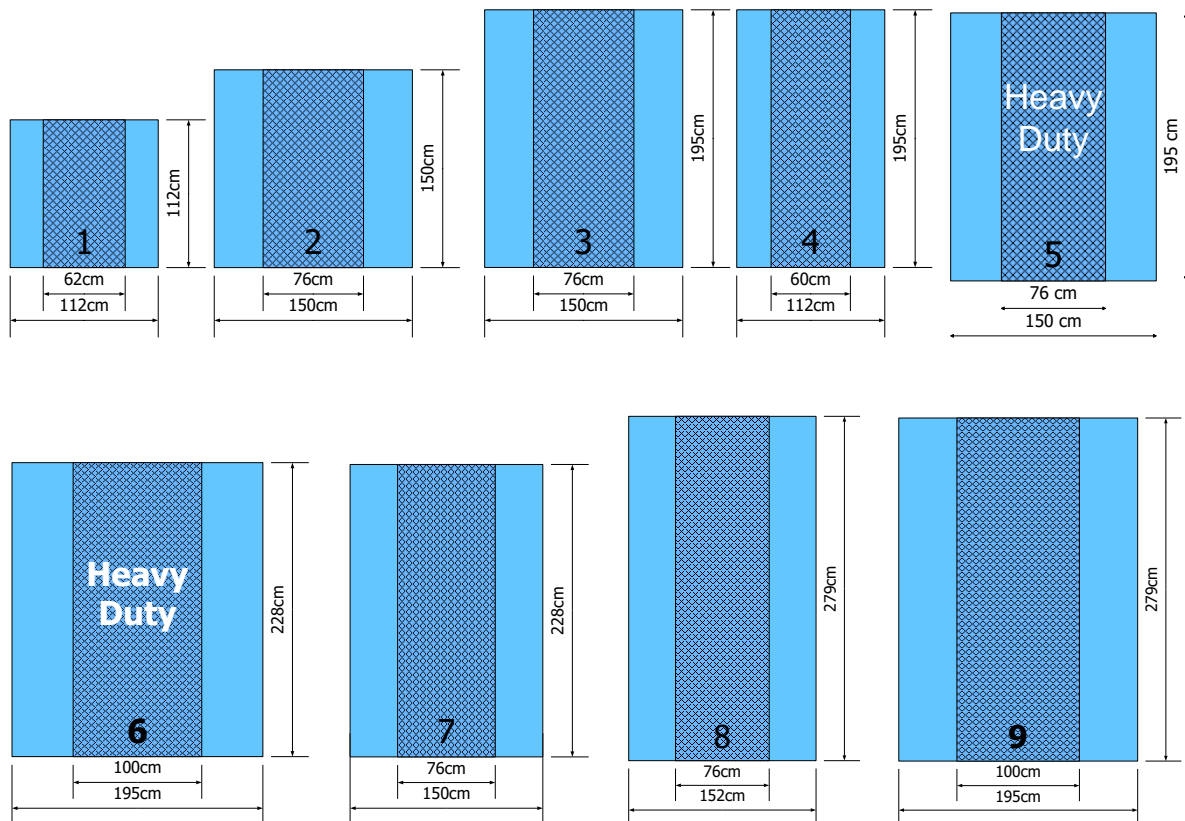


● 2-layer material

Material	Dimensions	Reference number	Order number sterile	Order number not sterile
2-layer	46cm	1306944	117062AA (was 103680AA)	17085

2 General drapes

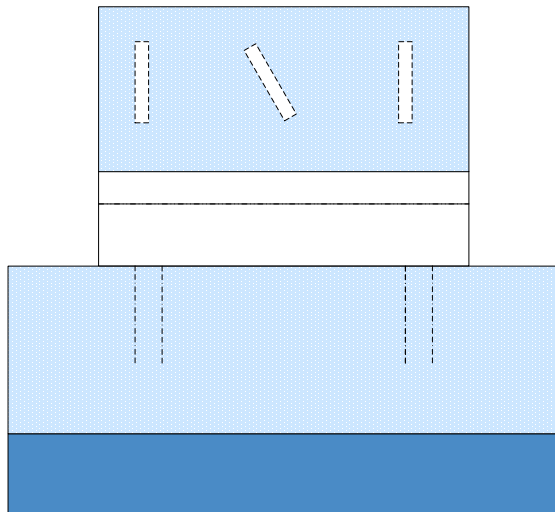
2.1 Table covers



● PE/blue ◻ PSB absorbent

	Dimensions	Reference number	Order number sterile	Folding method
1	112 x 112cm	1301958 1303204	117078AA (was 104550AA)	Unfolded Folded version
2	150 x 150cm	1306754 1303205	117047AA (was 103621AA)	Unfolded Folded version
3	195 x 150cm	1306755 1302905	117084AA (was 103622AA) /11052EGA	Unfolded Folded version
3a	195 X 150cm	1304011 <u>1304181</u>	113845AA/11515EG	Unfolded Folded version
4	195 x 112cm	1306756 1303206	103623AA	Unfolded Folded version
5	195 x 150cm Heavy duty	1302783	110250AA	Unfolded
6	228 x 195cm Heavy duty	1306757 1303208	117049AA (was 103624AA)	Unfolded Folded version
7	228 x 150cm	1306758 1303207	117050AA (was 103635AA)	Unfolded Folded version
8	279 x 152cm	1306759 1303209	117649AA (was 103636AA)	Unfolded Folded version
9	279 x 195cm	1303935	114718AA	Unfolded

2.2 Double instrument fields / table covers – 2x horizontal

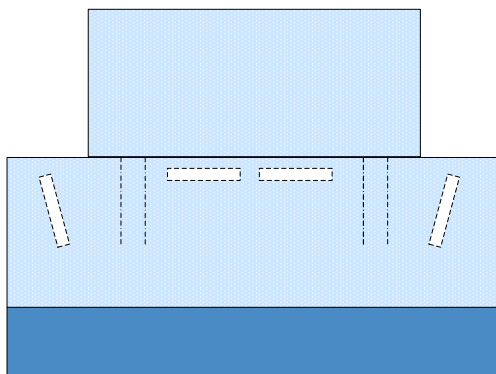


● PE/blue ○ PE/transparent ○ Absorbent material

Mate	Material	Reference number	Order number sterile
Large table L = 121cm	HC pad + PE transparent 144cm and 206cm	1304565	115766AA
<i>Large table L = 121cm ECONOMY</i>	<i>2 Ply + PE transparent 144cm and 206cm</i>	<i>1304967</i>	<i>tbd</i>
Extra large table XL = 152cm	HC pad + PE transparent 175cm and 236cm	1304803	116055AA

Suitable for covering MEGA instrument tables

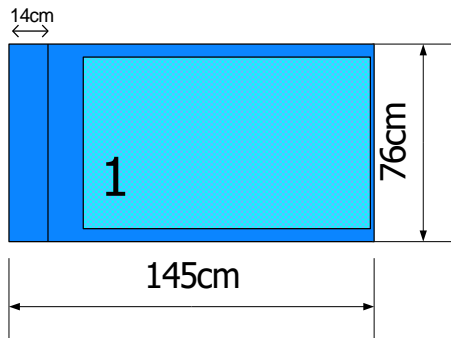
2.3 Special table cover (vertical part)



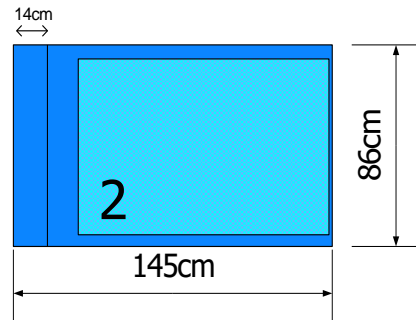
Mate	Material	Reference number	Order number sterile
Large table L	HC pad + PE transparent 114cm and 206cm	1307689	tbd

Suitable for covering tables, including cardio surgery

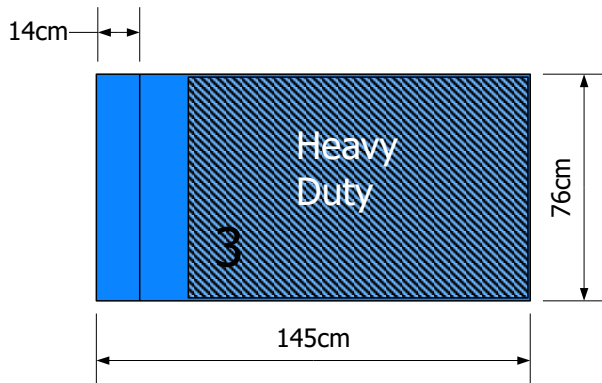
2.4 Mayo stand covers



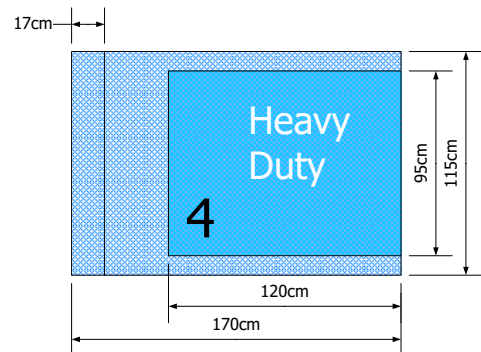
● PE/blue ● PSB absorbent
Medium Duty



● PE/blue ● PSB absorbent
Medium Duty



● PE/blue ● PSB absorbent
Heavy Duty

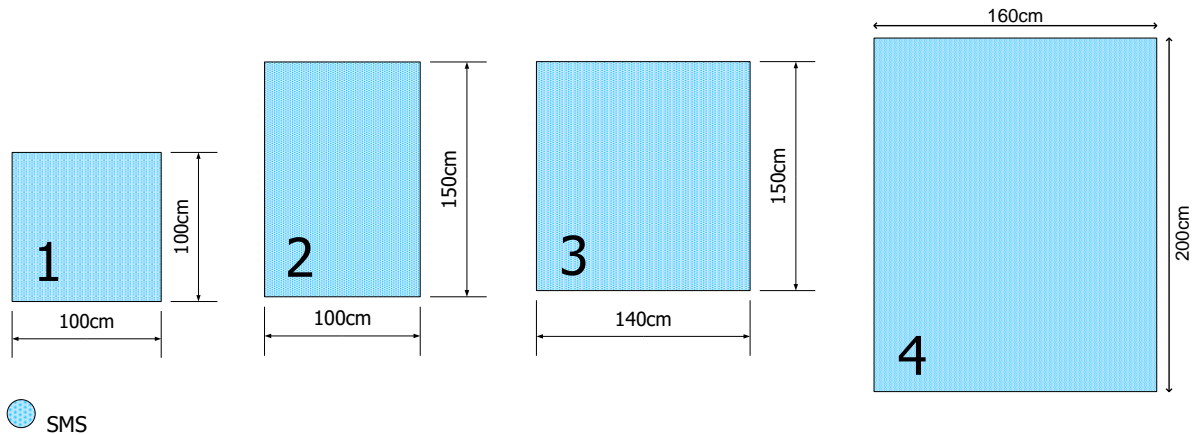


● SMS ● 3-ply absorbent
Heavy Duty

	Dimensions	Reference number	Application	Order number sterile	Order number unsterile
1	76 x 145cm	1306760	Medium Duty	118198AA (was 103848AA) / 11081EG	06650B
2	86 x 145cm	1302806	Medium Duty	107511AA	
3	76 x 145cm	1301902	Heavy Duty	117067AA (was 103849AA)	06551A
4	115 x 170cm	1307190	Heavy Duty	103758AA	

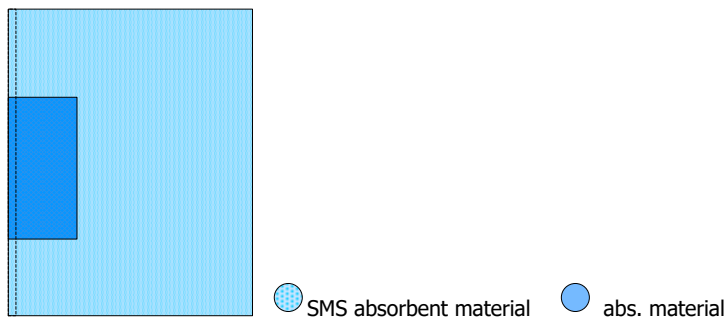
2.5 General drapes SMS material

2.5.1 SMS drape sheet (without tape)



	Dimensions	Material	Reference number	Order number sterile
1	100 x 100cm	SMS	1301927	106190AA
2	150 x 100cm	SMS	1302228	106191AA
3	150 x 140cm	SMS	1301921	106201AA
4	160 x 200cm	SMS	1303806	111526AA / 11176EG

2.5.2 SMS drapes with tape + absorbent area

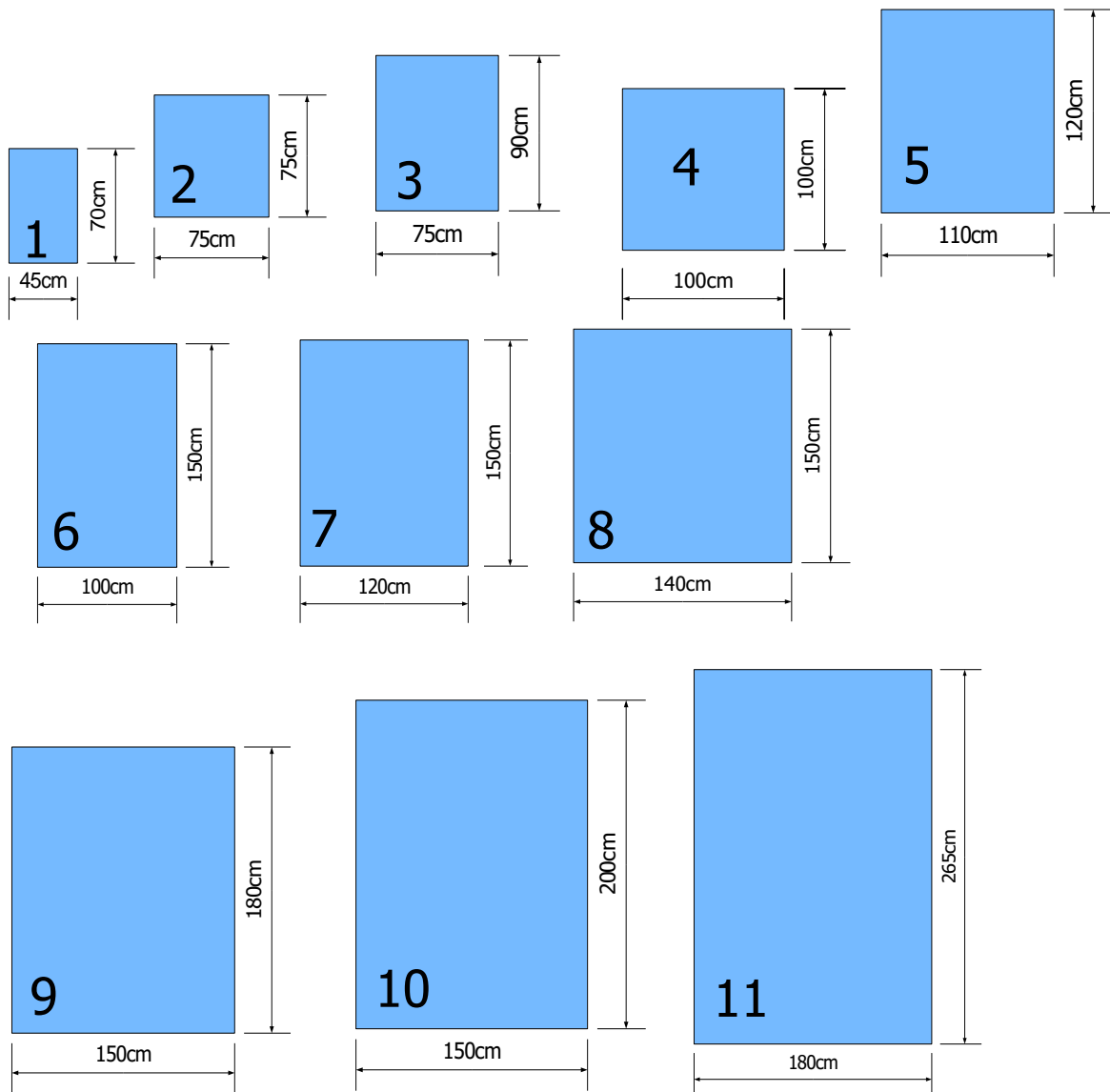


Dimensions	Material	Reference number	Order number sterile
38 x 66 cm	SMS + abs PEDI*	1307628	tbd
150 x 100cm	SMS, abs area	1304874	tbd
150 x 100cm	SMS, large abs area	1307512	tbd

*PEDI is small tape, 2.5cm

2.6 General drapes 2-layer material

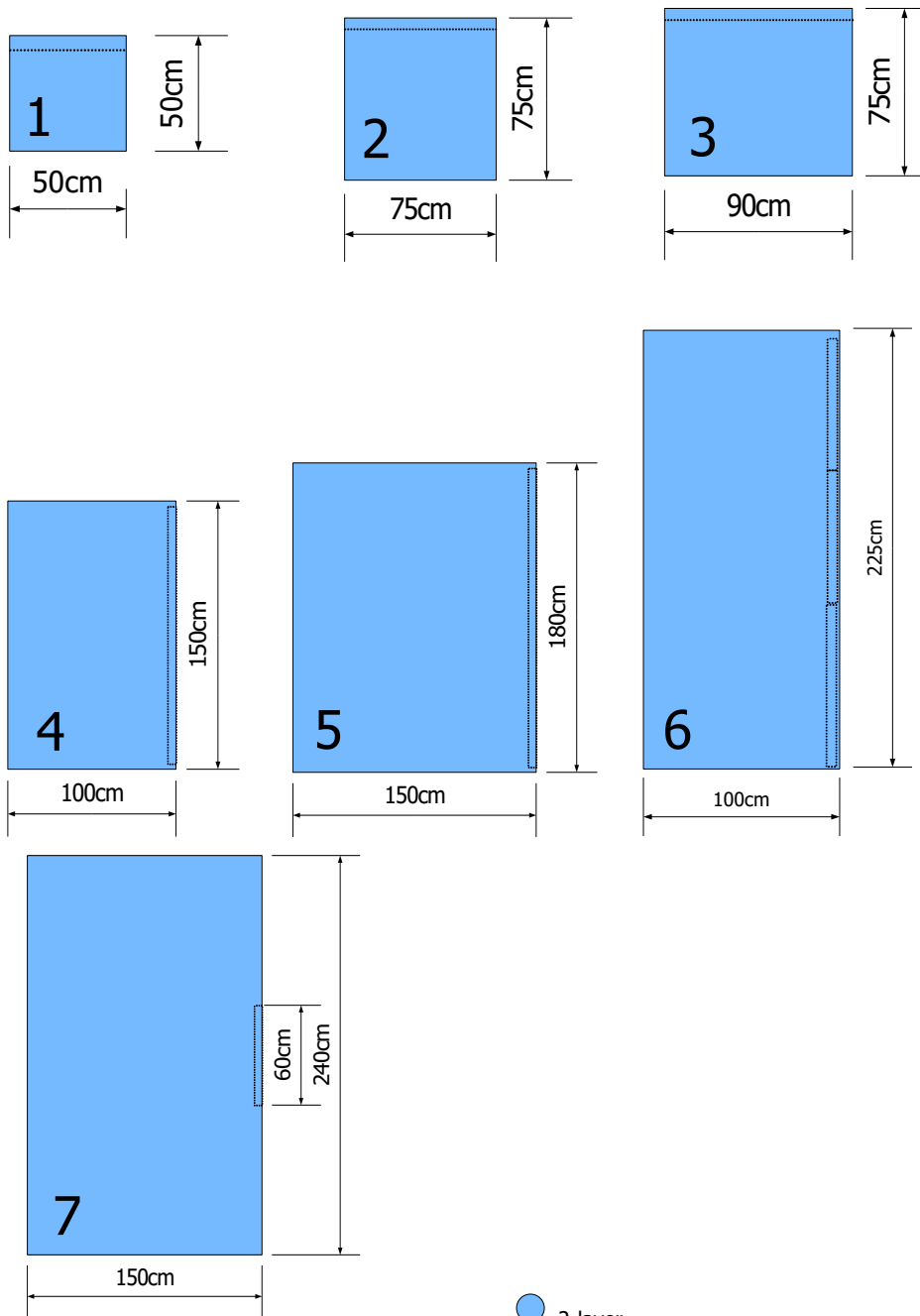
2.6.1 2-ply drapes without tape



 2-layer

	Dimensions	Material	Reference number	Order number sterile	Folding method Quantity per box
1	70 x 45cm	2-layer	1304099	117035AA (was 103470AA)	
2	75 x 75cm	2-layer HCD	1309495 1303578	100532AA	Folded version Unfolded
3	90 x 75cm	2-layer HCD	1309572 1303579	77001	4x25 (dispenser box) Unfolded
4	100x100cm	2-layer HCD	1304849	tbd	
5	120 x 110cm	2-layer	1301853	104529AA	
6	150 x 100cm	2-layer	1301336	117069AA (was 104530AA)	
7	150 x 120cm	2-layer	1301372	105432AA	
8	150 x 140cm	2-layer	1302005	110205AA	
9	180 x 150cm	2-layer	1301574	102040AA	
10	200 x 150cm	2-layer	1304088	117070AA (was 104531AA)	
11	265 x 180cm	2-layer	1301975	104532AA	

2.6.2 General drapes 2-ply material with tape

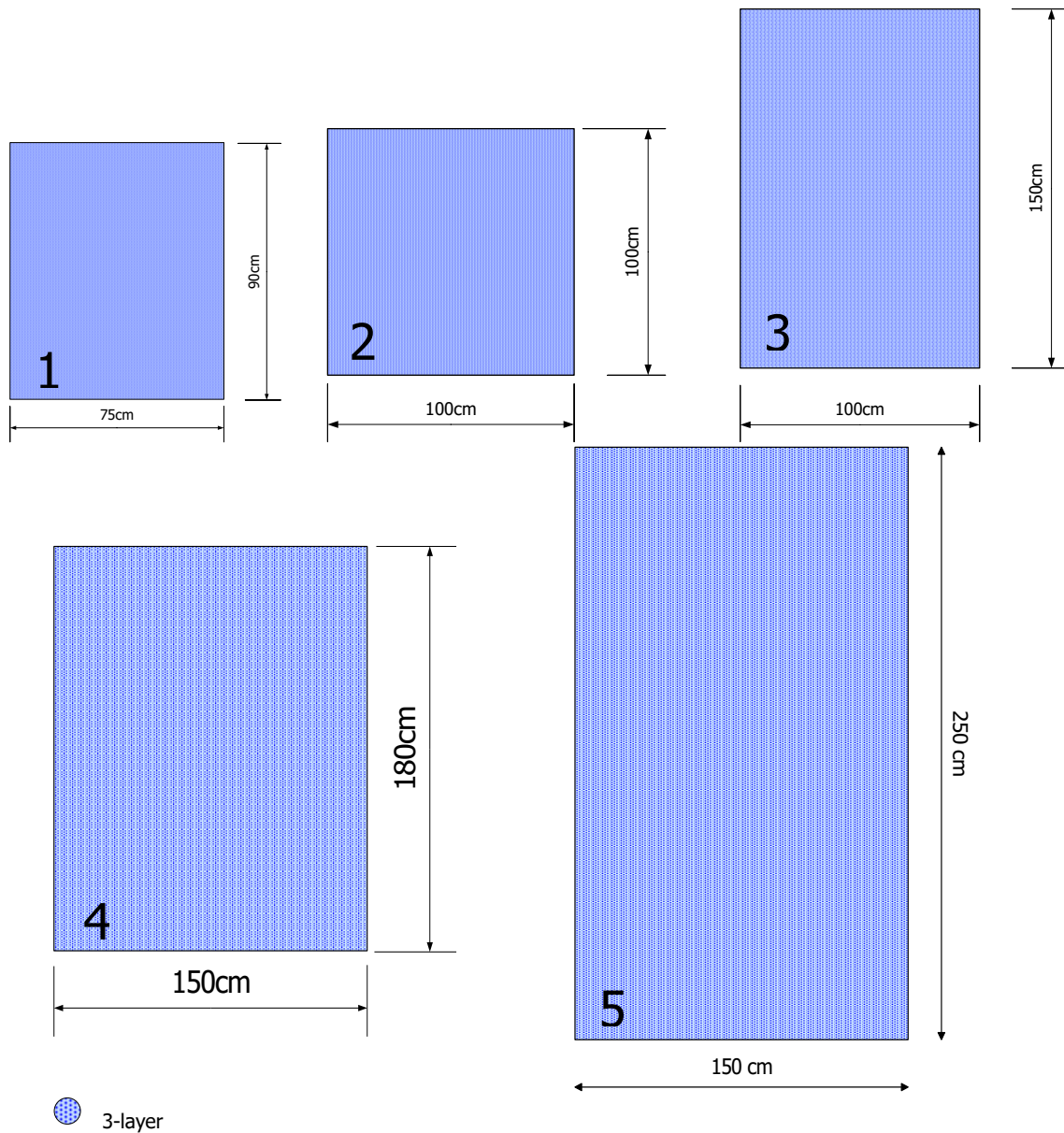


 2-layer

	Dimensions	Material	Reference number	Order number sterile	Quantity per box
1	50x50cm	2-layer with tape	1304073	110206AA	
2	75 x 75cm	2-layer with HCD tape	1309415	105362AA	
3	75 x 90cm	2-layer with HCD tape	1309428	77000	4x25 (dispenser box)
3a	75 x 90cm	2-layer with 2.5cm tape (PED)	1303070	110248AA	
4	150 x 100cm	2-layer with tape	1304103	117063AA (was 103682AA)	
5	180 x 150cm	2-layer with tape	1301446	117071AA (was 104533AA)	
6	225 x 100cm	2-layer with tape	1304353	114719AA	
7	240 x 150cm	2-layer with tape	1301443	117072AA (was 104534AA)	

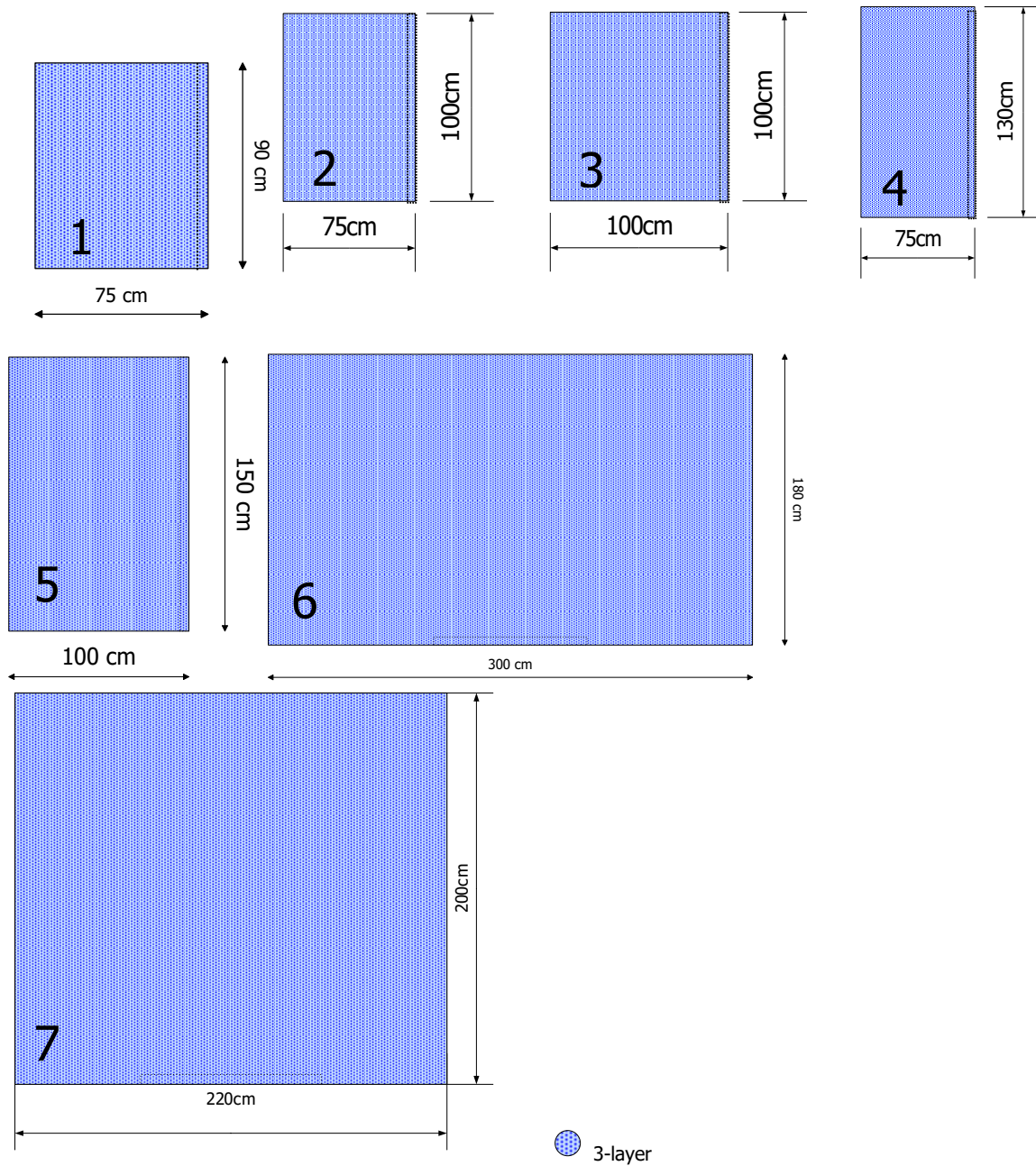
2.7 General drapes 3-layer material

2.7.1 3-layer drapes without tape



	Dimensions	Material	Reference number	Order number sterile
1	75 x 90cm	3-layer HCD	1304852	tbd
2	100 x 100cm	3-layer HCD	1304850	tbd
3	100 x 150cm	3-layer HCD	1304851	tbd
4	180 x 150cm	3-layer	1301990	108406AA
5	250 x 150cm	3-layer	1301367	tbd

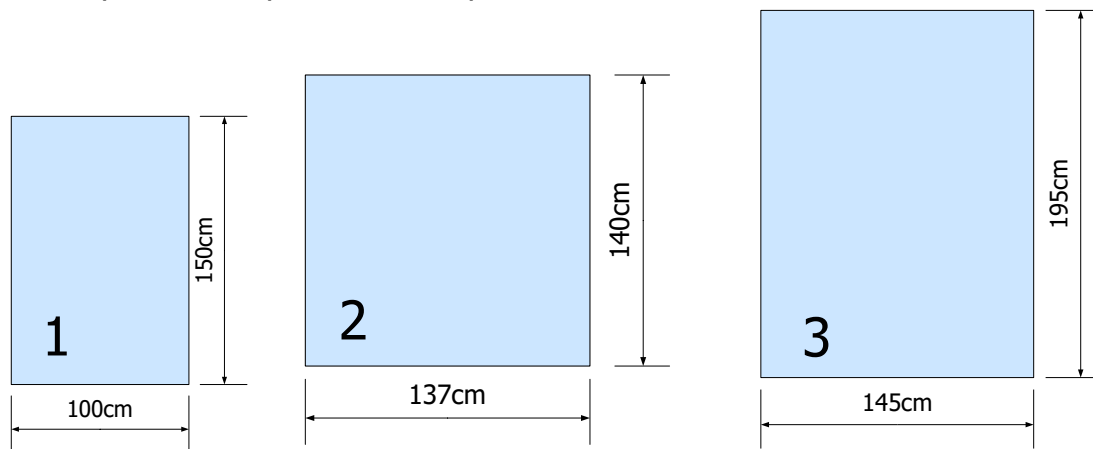
2.7.2 Drapes 3-layer with tape



	Dimensions	Material	Reference number	Order number sterile
1	90 x 75cm	3-layer with tape	1304853 HCD	tbd
2	100 x 75cm	3-laags with tape	1304079	104753AA
3	100 x 100cm	3-laags with tape	1304579 HCD	106214AA
4	130 x 75cm	3-laags with tape	1301499	106289AA
5	150 x 100cm	3-laags with tape	1301732	112224AA
6	180 x 300cm	3-laags with tape (140x5cm,LS)	1301991	112225AA
7	200 x 220cm	3-layer with tape (95x5cm,LS)	1302008	tbd

2.8 Spunlace Drapes

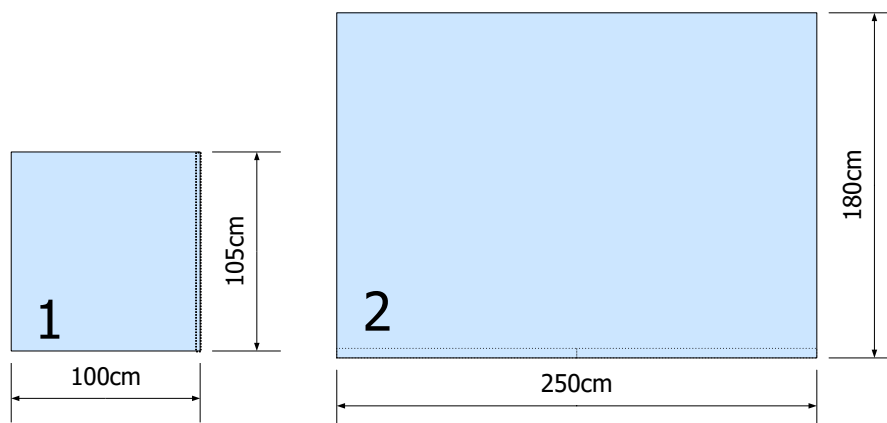
2.8.1 Spunlace drapes without tape



Spunlace

	Dimensions	Material	Reference number	Order number sterile
1	150 x 100cm	Spunlace	<u>1307684</u>	tbd
2	140 x 137cm	Spunlace	1307039	103661AA
3	195 x 145cm	Spunlace	1307096	117055AA (was 103658AA)

2.8.2 Spunlace drapes with tape

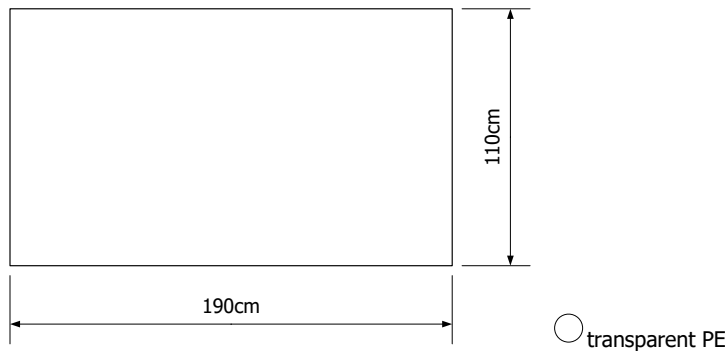


Spunlace

	Dimensions	Material	Reference number	Order number sterile
1	105 x 100cm	Spunlace	1307093	tb (tape 2.5cm)
2	180 x 250cm	Spunlace	1301555	tb (tape 2.5cm)

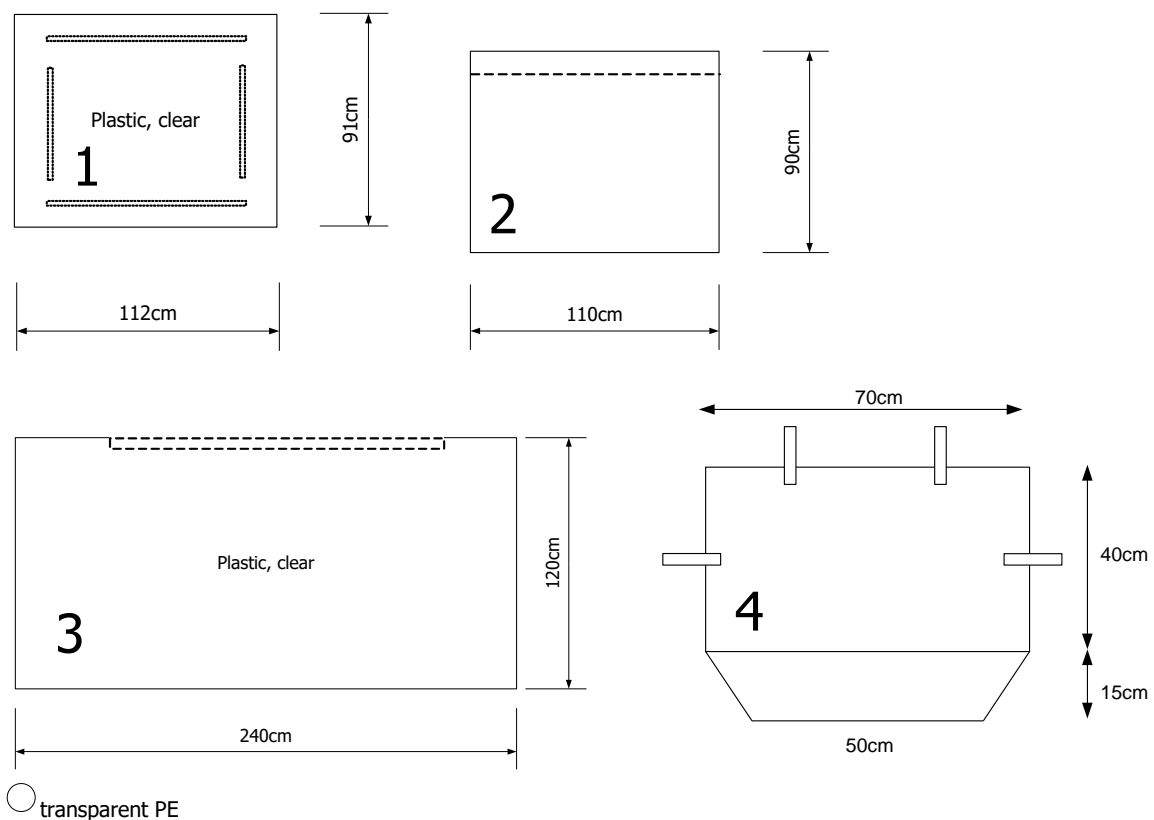
2.9 General drapes PE transparent

2.9.1 Transparent PE sheet without tape



Dimensions	Material	Reference number	Order number sterile
110 x 190cm	Transparent PE	1307188	110234AA

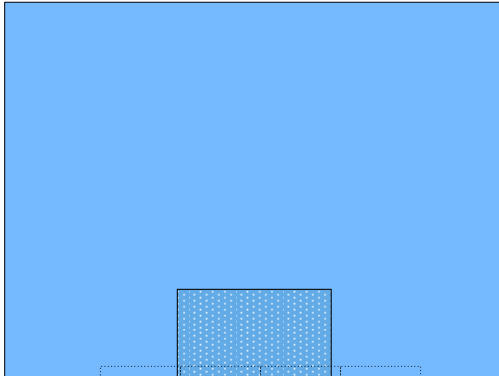
2.9.2 Transparent PE sheet with tape



	Dimensions	Material	Reference number	Order number sterile
1	112 x 90cm	Transparent PE, 4x tape	1302620	112316AA
2	90 x 110cm	Transparent PE	1302460	105646AA
3	120 x 240cm	Transparent PE	1303778	111433AA
4	55 x 70cm	Transparent PE (touch screen)	1304391	118566AA

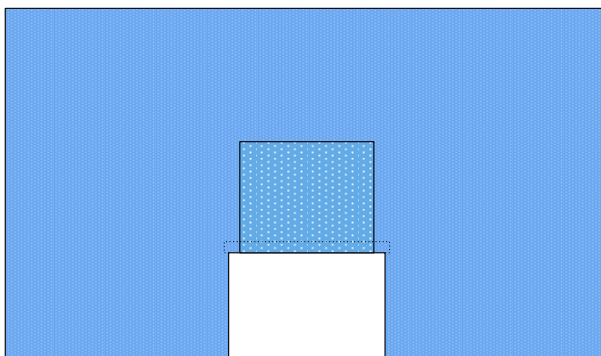
3 General surgery

3.1 Top drapes



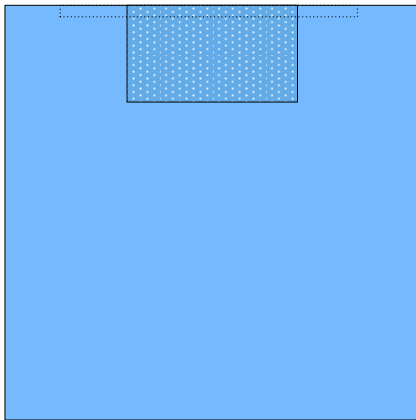
Material	Dimensions	Absorbent area	Reference number	Order number sterile
SMS	180 x 240cm	42 x 74cm	1301880	105113AA
SMS	175 x 300cm	42 x 74cm	1304875	tbd
2-layer HCD	180 x 240cm	30 x 60cm	1304050	114316AA
2-layer	180 x 240cm	42 x 74cm	1302829	107949AA
2-layer	175 x 300cm	42 x 74cm	1304268	115367AA
3-layer	180 x 240cm	42 x 74cm	1302168	105260AA

3.2 Top drapes U-Bar



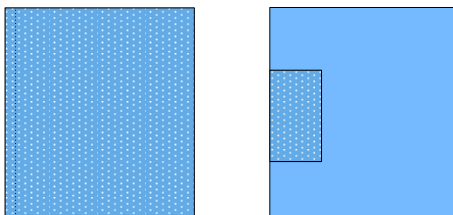
Material	Dimensions	Absorbent area	Reference number	Order number sterile
SMS	157 x 270cm	50x60cm	1307138	106176AA
2-layer HCD	150 x 270cm	37.5 x 60cm	1304199	114727AA
2-layer	157 x 270cm	50x60cm	1303875	112226AA
3-layer	157 x 270cm	50x60cm	1307176	106275AA

3.3 Bottom drapes



Material	Dimensions	Absorbent area	Reference number	Order number sterile
SMS	180 x 180cm	42 x 74cm	1301881	105683AA
SMS	200 x 220cm	42 x 74cm	1304876	tbd
2-layer HCD	180 x 180cm	30 x 60cm	1304051	114201AA
2-layer HCD	180 x 210cm	30 x 60cm	1307646	tbd
2-layer	180 x 180cm	42 x 74cm	1302830	110236AA
3-layer	180 x 180cm	42 x 74cm	1302169	117080AA (was 105003AA)

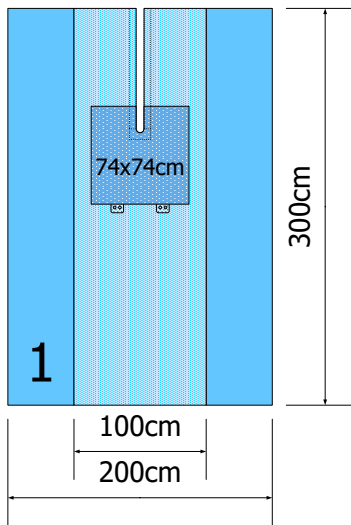
3.4 Side drapes



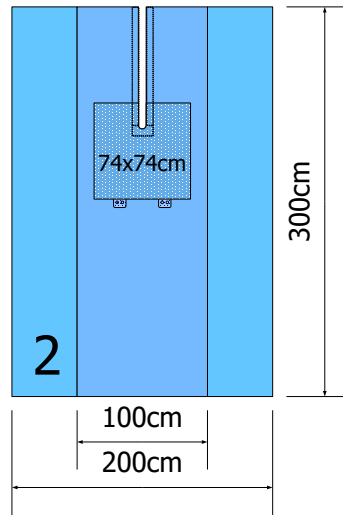
	Material	Dimensions	Reference number	Order number sterile
1	Absorbent material	100 x 90cm	1301882	106180AA
2	Absorbent material	100 x 90cm	1307074	117051AA (was 103640AA)
3	2-layer HCD	100 x 90cm with abs. 30x60cm	1304053	114317AA
4	2-layer HCD	100 x 120cm with abs. 30x60cm	1307647	tbd
5	2-layer	90 x 200cm with abs. 42x47cm	1307629	tbd
5	3-layer	100 x 90cm	1302170	tbd
5	SMS	100 x 150cm with abs. 42x87cm	1307512	tbd
6	SMS	100 x 150cm with abs. 42x47cm	1304874	tbd
7	Absorbent material	100 x 90cm, PED 2.5cm tape	1303256	

3.5 Split drapes

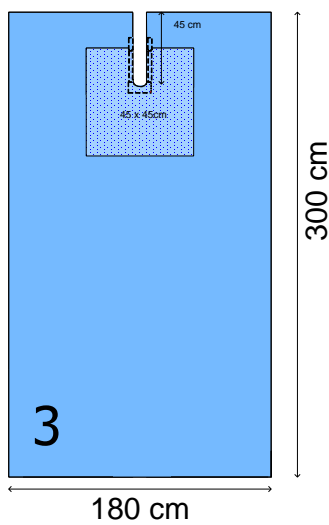
3.5.1 Split drapes, **split 6 cm**



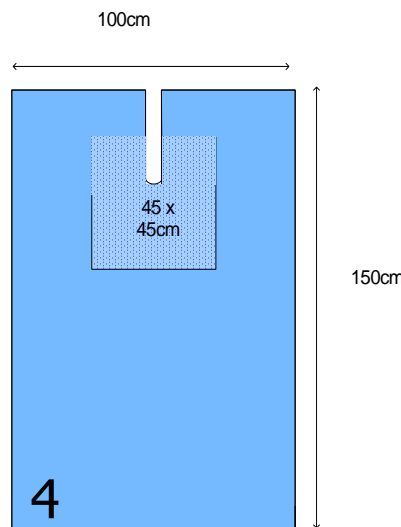
● SMS ● PSB3030 ● PE/blue



● 2-layer ● PSB3030 ● PE/blue



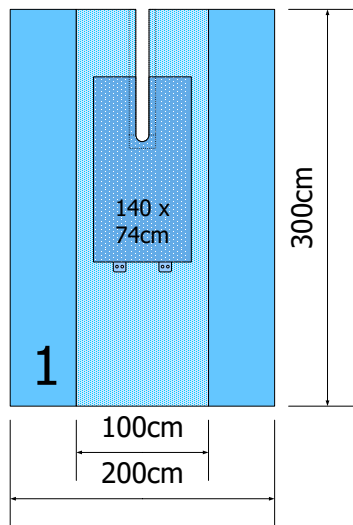
● 2-layer ● PSB3030



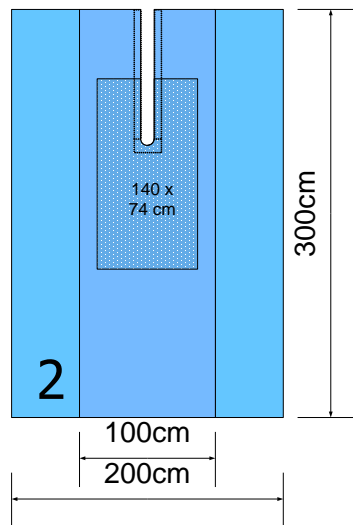
● 2-layer ● PSB3030

	Material	Dimensions	Dimensions split	Reference number	Order number sterile
1	SMS + PE blue	300 x 200cm	6 x 100cm	1302556	106183AA
2	2-layer + PE blue	300 x 200cm	6 x 100cm	1303676	111063AA
3	2-layer	300 x 180cm	6 x 60cm	1303873*	112227AA
4	2-layer	150 x 100cm	6 x 30cm	1303224*	111666AA

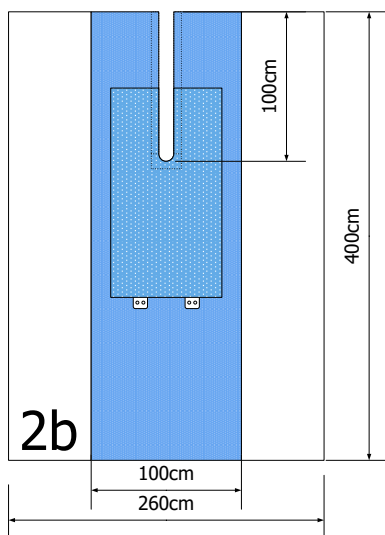
3.5.2 Split drapes, **split 10cm**



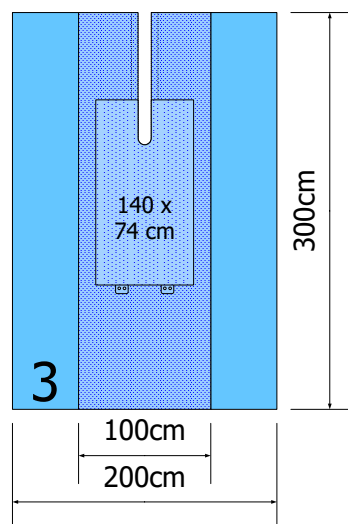
● SMS ● Absorption ● PE/blue



● 2-layer ● Absorption ● PE/blue



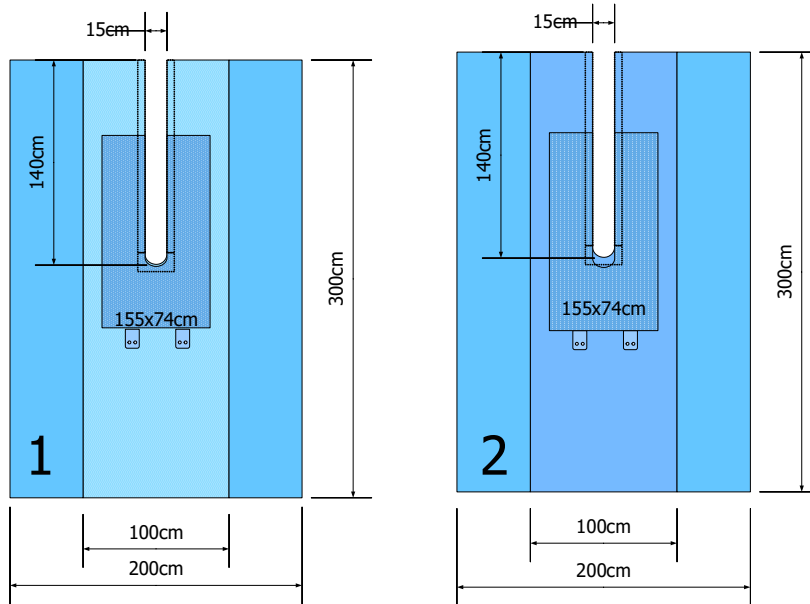
● 2-layer ● Absorption ● PE/blue



● 3-layer ● S ● PE/blue

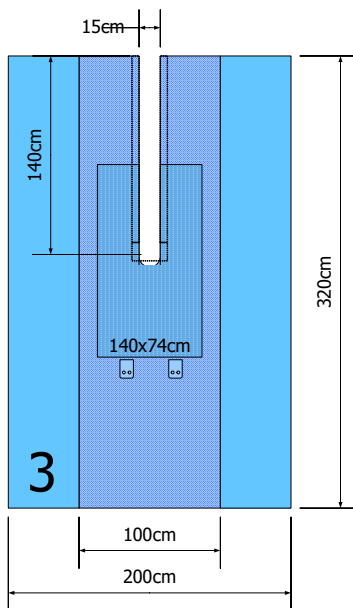
	Material	Dimensions	Split dimensions	Reference number	Order number sterile
1	SMS	300 x 200cm	10 x 100cm	1301920	106185AA / 11038EG
2	2-layer	300 x 200cm	10 x 100cm	1302999	109532AA
2a	2-layer HCD	300 x 200cm	10 x 100cm	1304326	114720AA
2b	2-laags PE/CL	400 x 260cm	10 x 100cm	1303112	108262AA
3	3-laags	300 x 200cm	10 x 100cm	1307253	117082AA (was 105337AA)

3.5.3 Split drapes, **split 15cm**

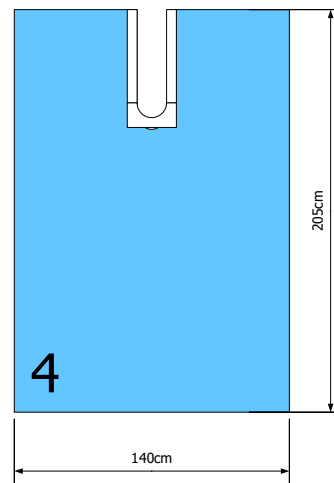


● SMS ● PSB3030 ● PE/blue

● 2-layer ● PSB3030 ● PE/blue



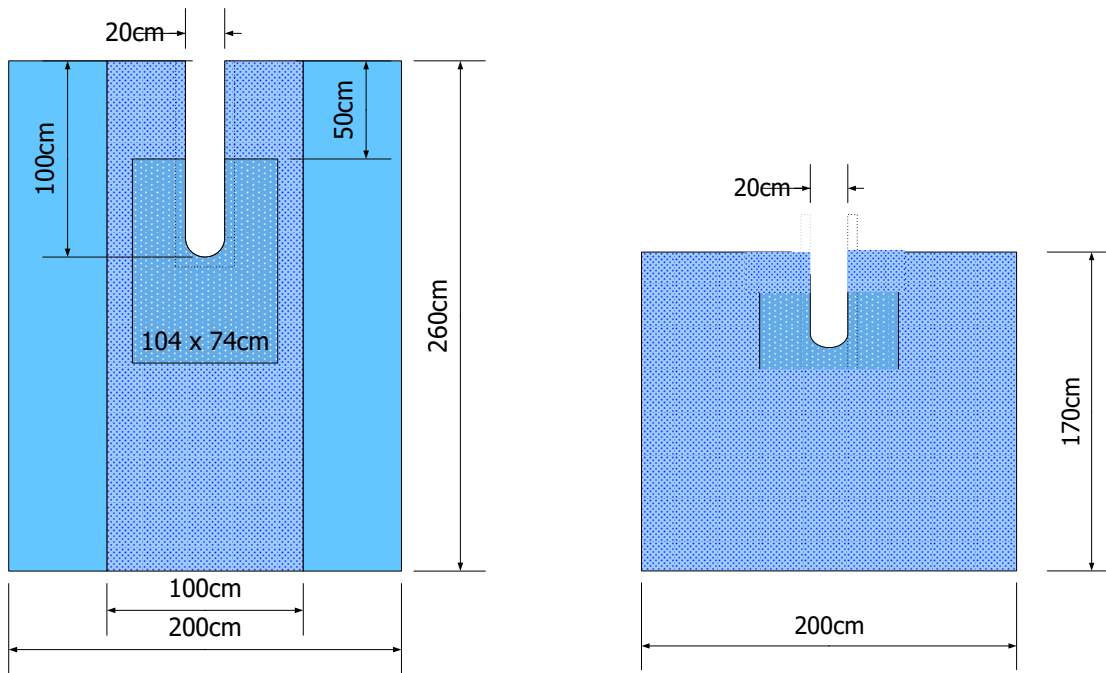
● 3-layer ● PSB3030 ● PE/blue



● PE/blue

	Material	Dimensions	Split dimensions	Reference number	Order number sterile
1	SMS	300 x 200cm	140 x 15cm	1307267	104030AA
2	2-layer	300 x 200cm	140 x 15cm	1303677	112228AA
	2-layer HCD	300 x 200cm	100 x 15cm	1307645	119120AA
3	3-layer	320 x 200cm	140 x 15cm	1302945	107697AA
4	PE blue	205 x 140cm	75 x 15cm	1306954	117034AA (was 103466AA)

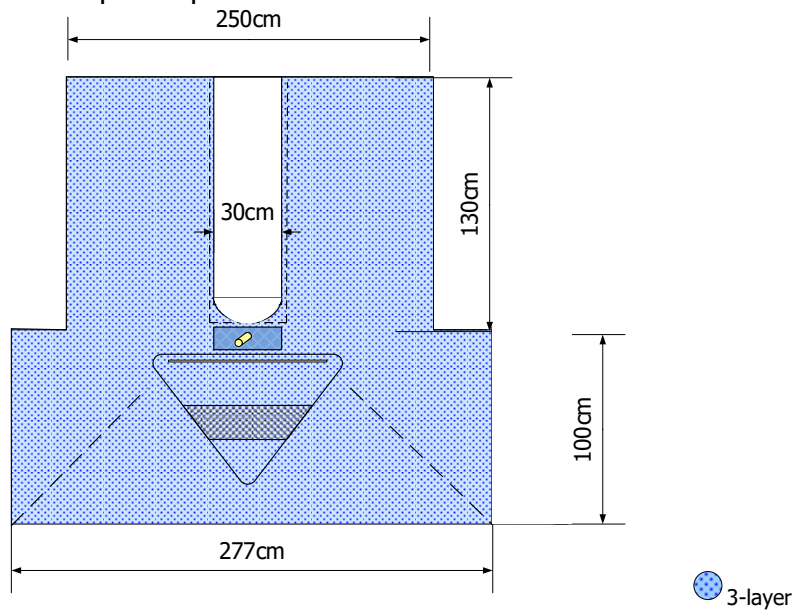
3.5.4 Split drapes, **split 20cm**



3-layer
 PSB3030
 PE/blue

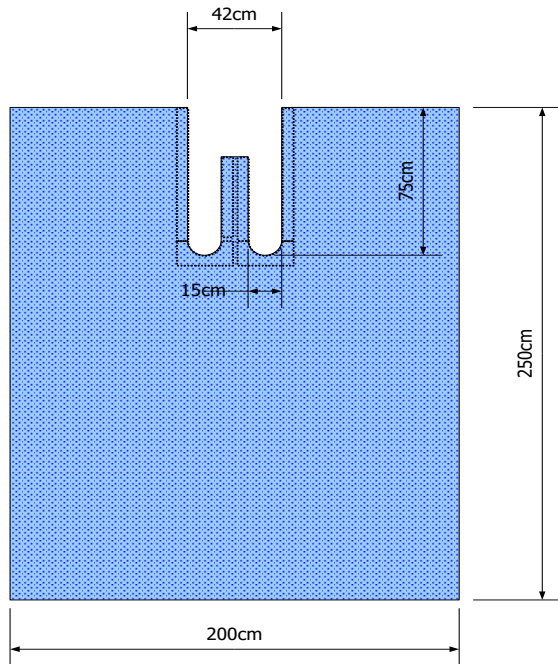
Material	Dimensions	Dimensions split	Reference number	Order number sterile
3-layer	260 x 200cm	20 x 100cm	1307211	105456AA
SMS	170 x 200cm	20x50cm	1304672	115791AA

3.5.5 **Gender** split drape

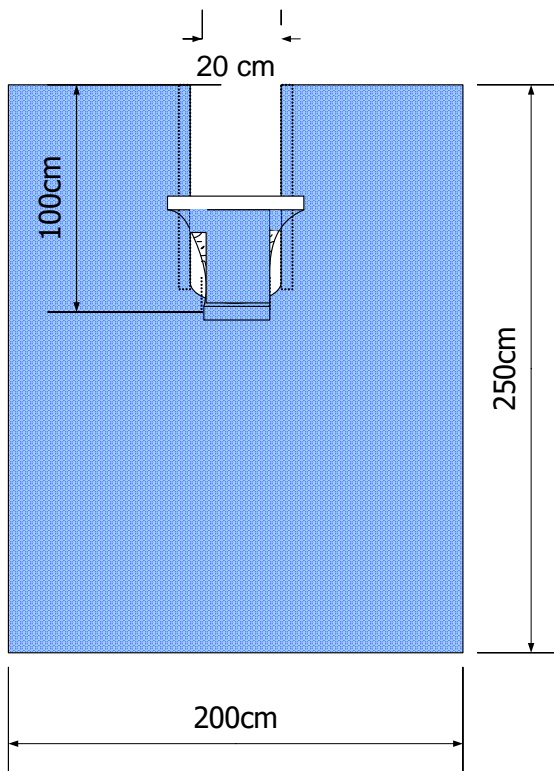


Material	Dimensions	Reference number	Order number sterile
3-layer material	230 x 250 / 277cm	1304405	104733AA

3.5.6 Bi lateral split drape



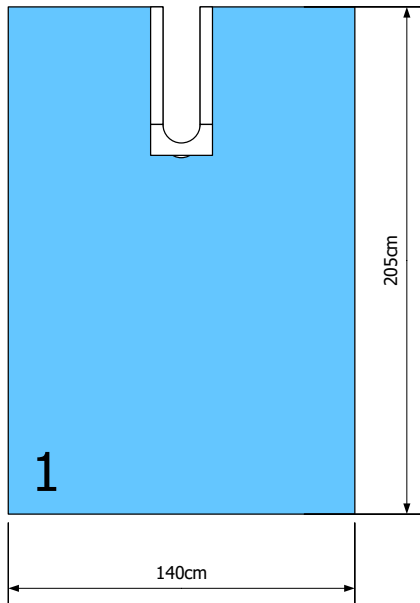
● 3-layer



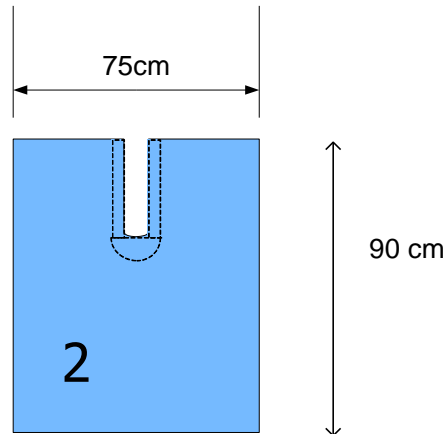
● 3-layer

Material	Dimensions	Reference number	Order number sterile
3-layer material	250 x 200cm (ORTHO)	1302291	104733AA
3-layer material	250 x 200cm (CARDIO)	1304778	tbd

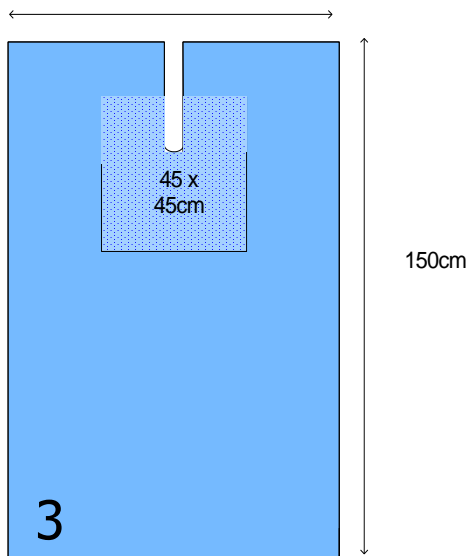
3.5.7 Split drapes other



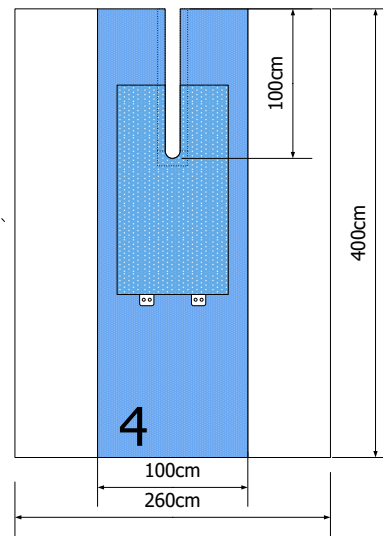
● PE/blue
100cm



● 2-layer



● 2-layer ● Absorbent material



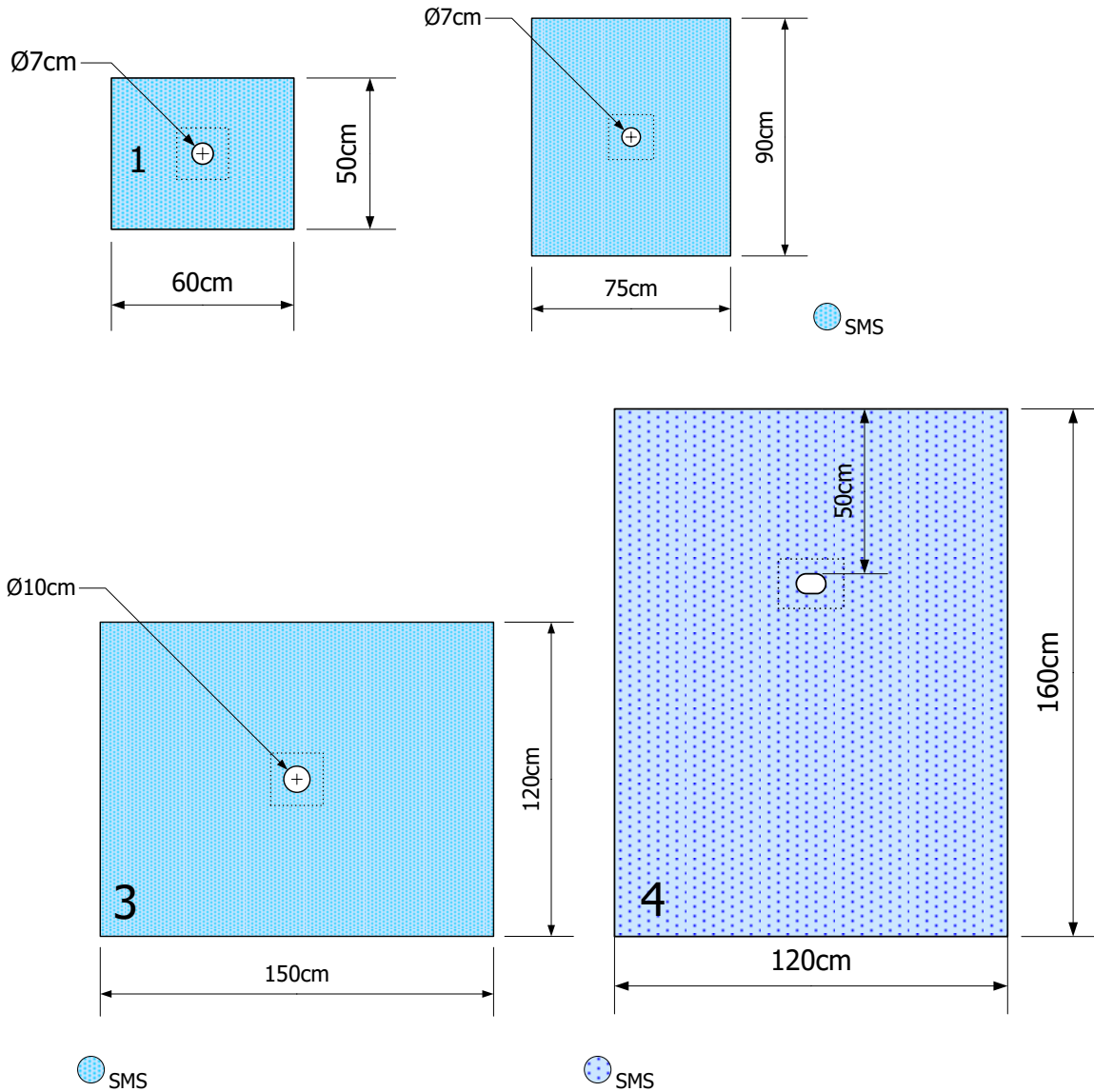
● 2-layer ● Absorption material ● PE/clear

	Material	Dimensions	Dimensions split	Reference number	Order number sterile
1	PE/blue	205 x 140cm	15 x 75cm	1306954	117034AA (was 103466AA)
2	2-layer	90 x 75cm	10 x 12cm	1303884	112229AA
3	2-layer	150 x 100cm small tape	6 x 30cm	1303224	111666AA
4	2-layer PE clear + abs.	400 x 260cm	10 x 100cm	1303112	108262AA

3.6 Fenestrated drapes

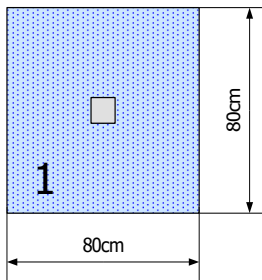
3.6.1 Small drapes

3.6.1.1 Drapes SMS with fenestration

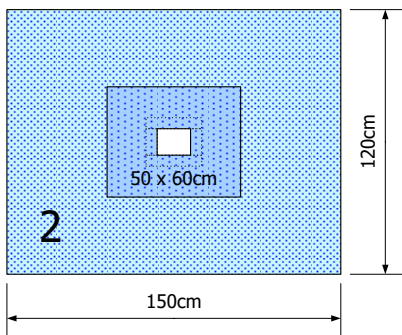


	Material	Dimensions	Fenestration	Reference number	Order number sterile
1	SMS	50x60cm	$\varnothing 7\text{cm}$	1302231	tbd
2	SMS	75 x 90cm	$\varnothing 7\text{cm}$	1302232	106263AA
3	SMS	120 x 150cm	$\varnothing 10\text{cm}$	1302233	106264AA
4	SMS	160 x 120cm	Oval 6x9cm	1301993	tbd

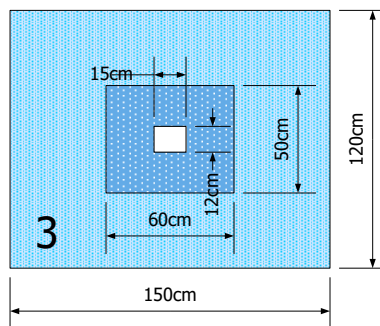
3.6.1.2 Fenestrated drapes SMS, square fenestration



● SMS ○ Incision film



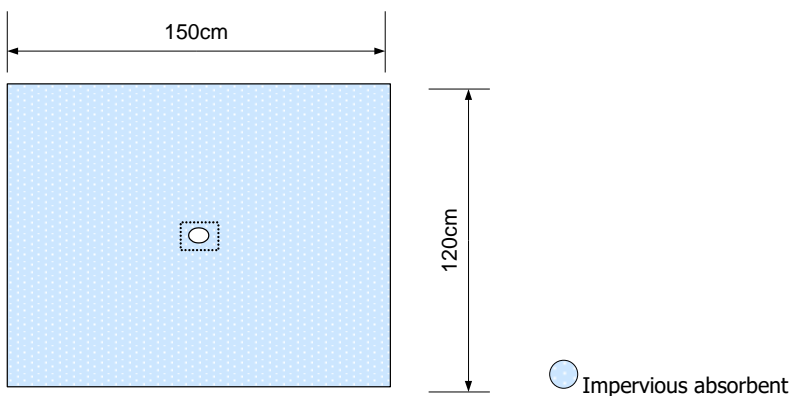
● Prestico® ● absorbent pad



● SMS ● Absorbent pad

	Material	Dimensions	Fenestration dimensions	Reference number	Order number sterile
1	SMS material	80 x 80cm	10 x 10cm with incision film	1302124	tbd
2	Prestico®	120 x 150cm	12 x 15cm, without film, tape 4cm	1302485	106223AA
3	SMS material	120 x 150cm	12 x 15cm, without film, no tape	1303414	109352AA

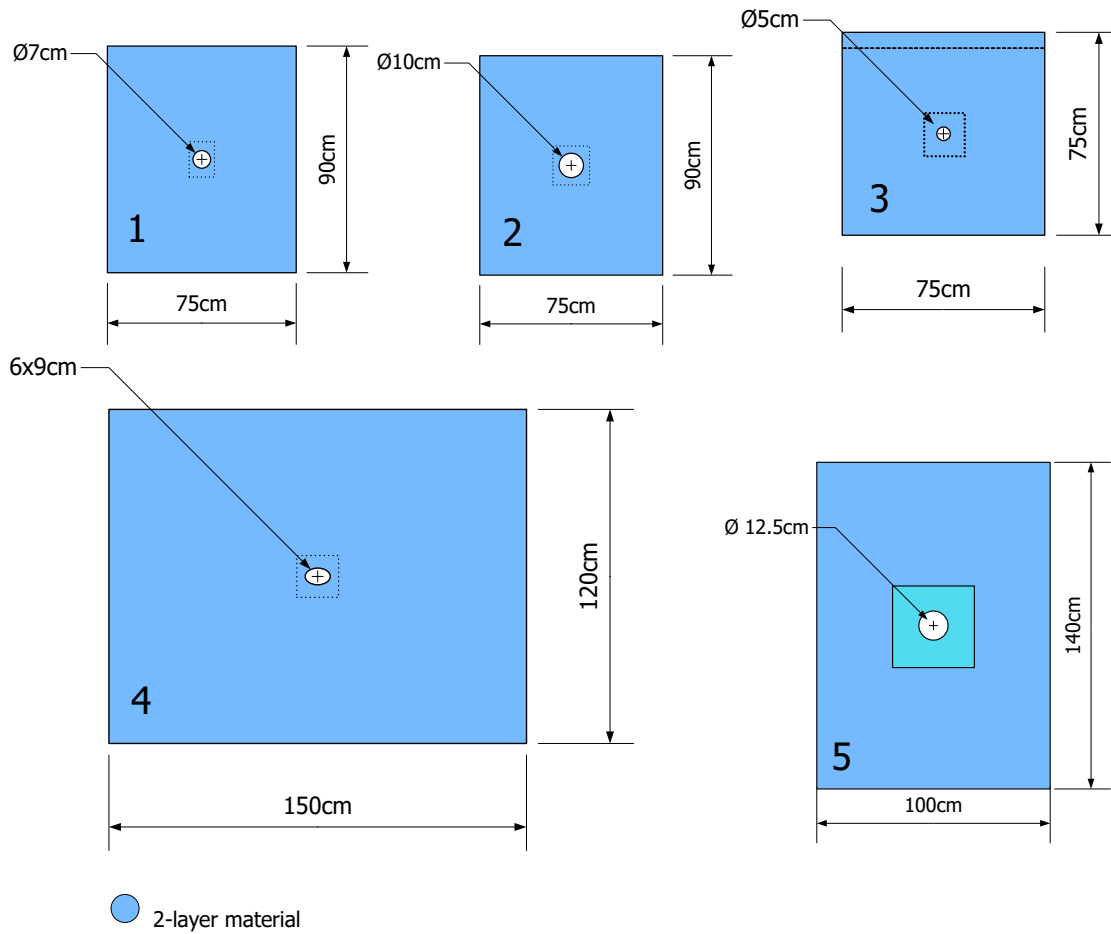
3.6.1.3 Fenestrated drape, fully absorbent material



● Impervious absorbent

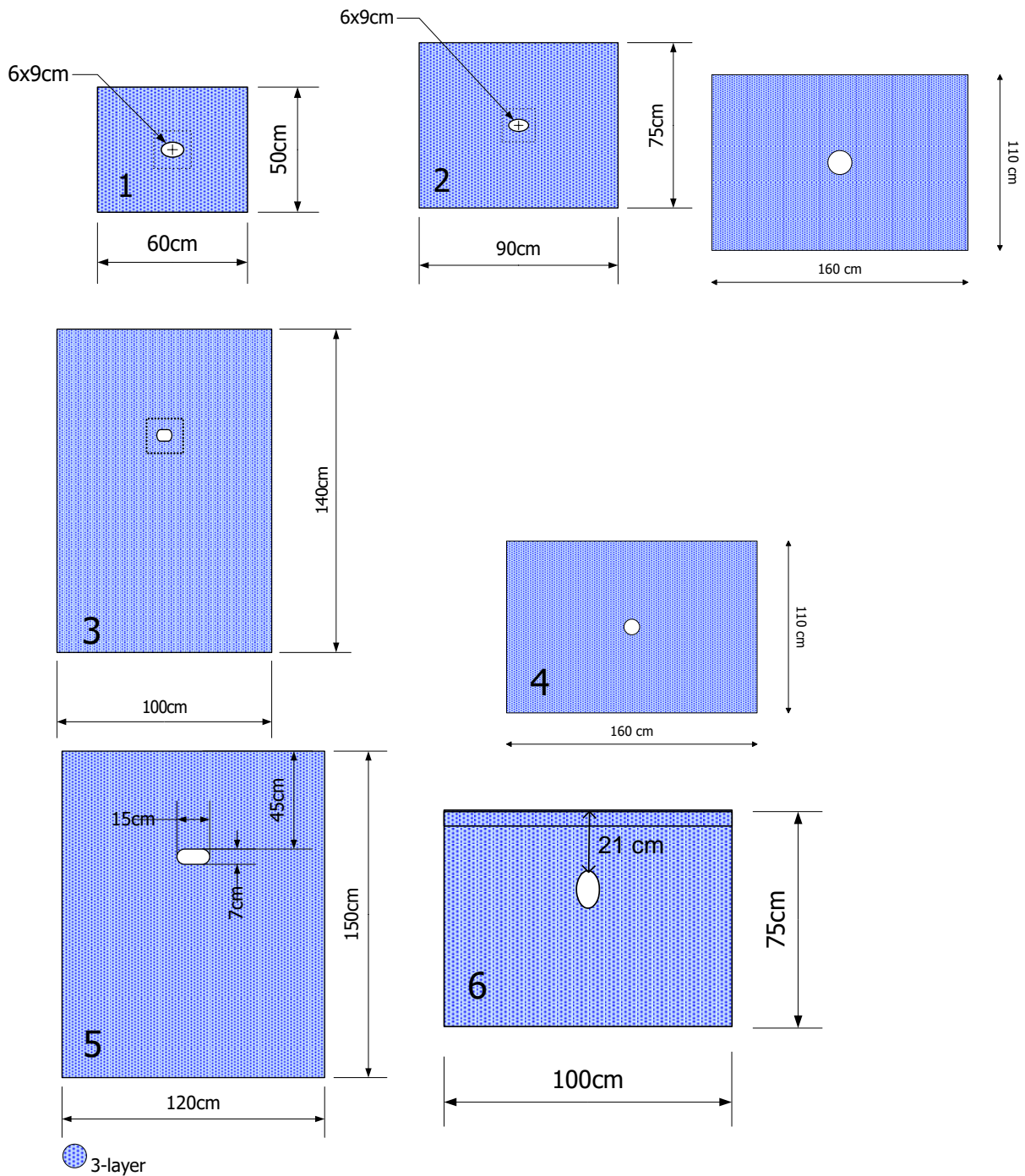
Material	Dimensions	Fenestration size	Reference number	Order number sterile
ABS material, HC plane	120 x 150cm	6x8cm	1303811	112312AA

3.6.1.4 Fenestrated drapes, 2-layer



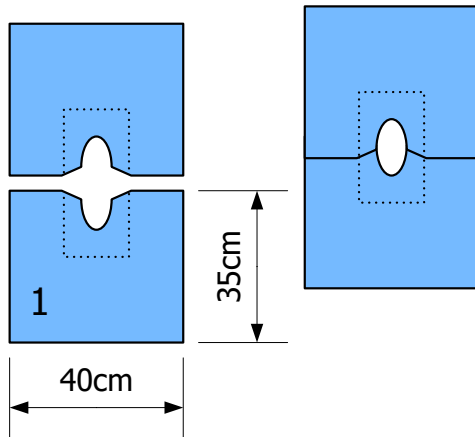
	Material	Dimensions	Fenestration	Reference number	Order number sterile	Quantity per box
1	2-layer HCD	90 x 75cm	Ø 7cm	<u>1301114</u>	77003	4x25, dispenser box
	2-layer	90 x 75cm	Ø 7cm	1301382	tbd	Special folding
2	2-layer HCD	90 x 75cm	Ø 10cm	1309403	77002	4x25, dispenser box
3	2-layer	75 x 75cm	Ø 5cm + tape	1303372	tbd	
4	2-layer	120 x 150cm	6x9cm	1301539	117037AA (was 103474AA)	
5	2-layer	140x100	Ø 12.5cm + ABS	1304683	tbd	

3.6.1.5 Fenestrated drapes, 3-ply

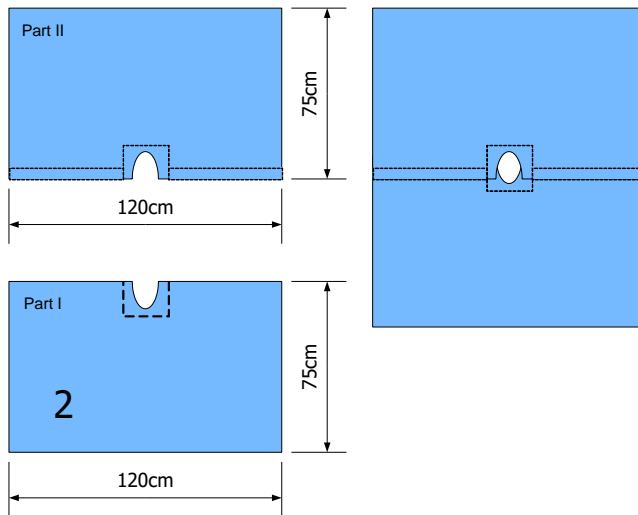


	Material	Dimensions	Fenestration	Reference number	Order number sterile
1	3-layer material	50x60cm	6x9cm	1301441	117036AA (was 103472AA)
2	3-layer material	75 x 90cm	6x9cm	1304055	117628AA (was 103473AA)
3	3-layer material	140 x 100cm	Oval 5 x 7cm	1307241	(110429AA)
4	3-layer material	110 x 160cm	Ø 10cm	1307295	102727AA
	3-layer material	110 x 160cm	Ø 15cm	1302314	tbd
5	3-layer material	150 x 120cm	Oval 7 x 15cm	1302551	110238AA
6	3-layer material	75 x 100cm	Oval 13 x 8cm	1303957	117829AA

3.6.1.6 Variable fenestrated drapes (omega)



● 2-layer material

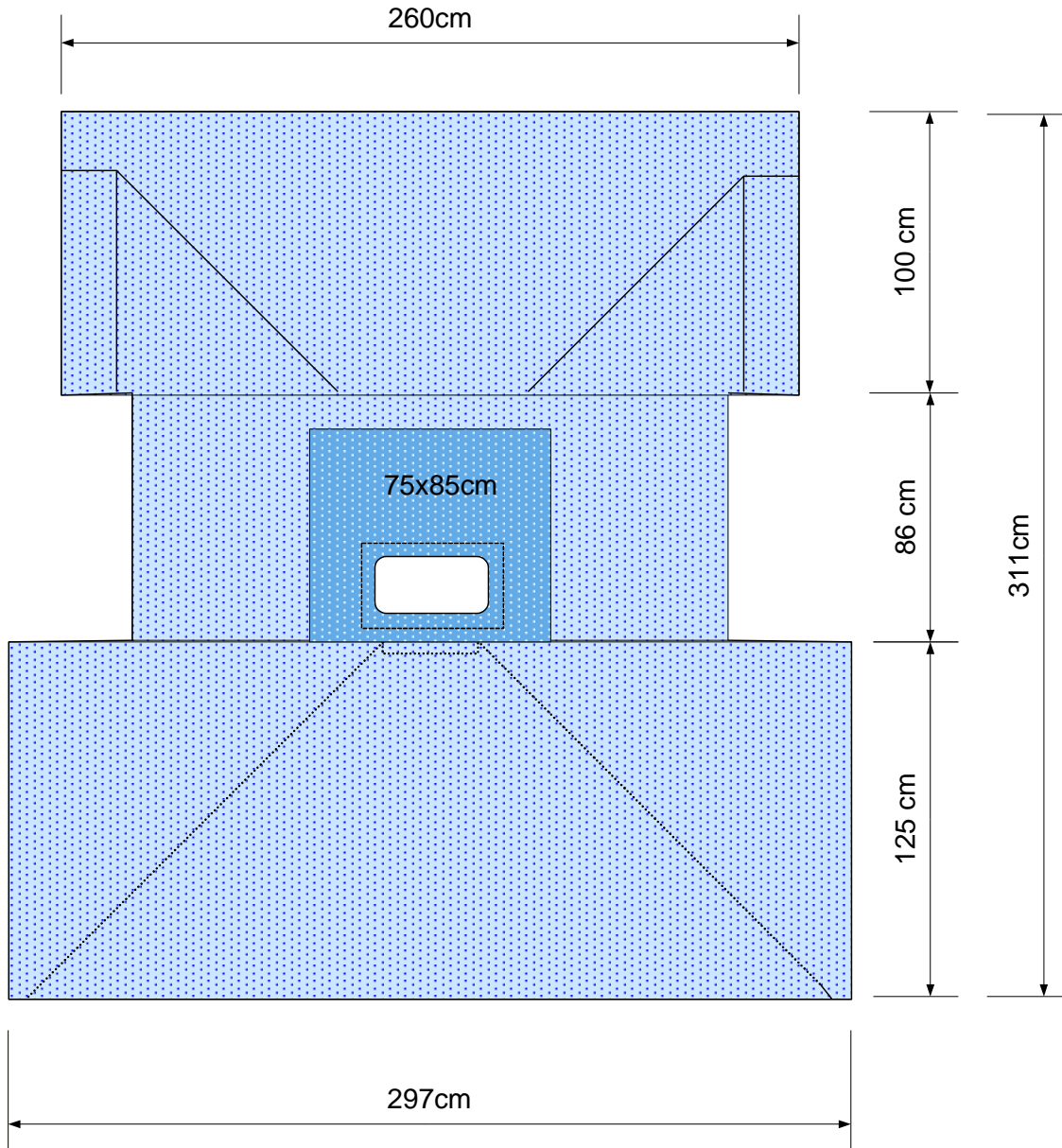


● 2-layer material

	Material	Dimensions	Maximum fenestration size	Reference number	Order number sterile
1	2-layer	35x40cm	7 x 14 cm	1301238	117039AA (was 103477AA)
2	2-layer	75 x 120cm	24 x 12cm	1301578	117033AA (was 104535AA)
2 drapes in 1 package					
1301238 tape 15 x 15cm around fenestration					
1301578 tape 5cm					

3.6.2 Large fenestrated drapes

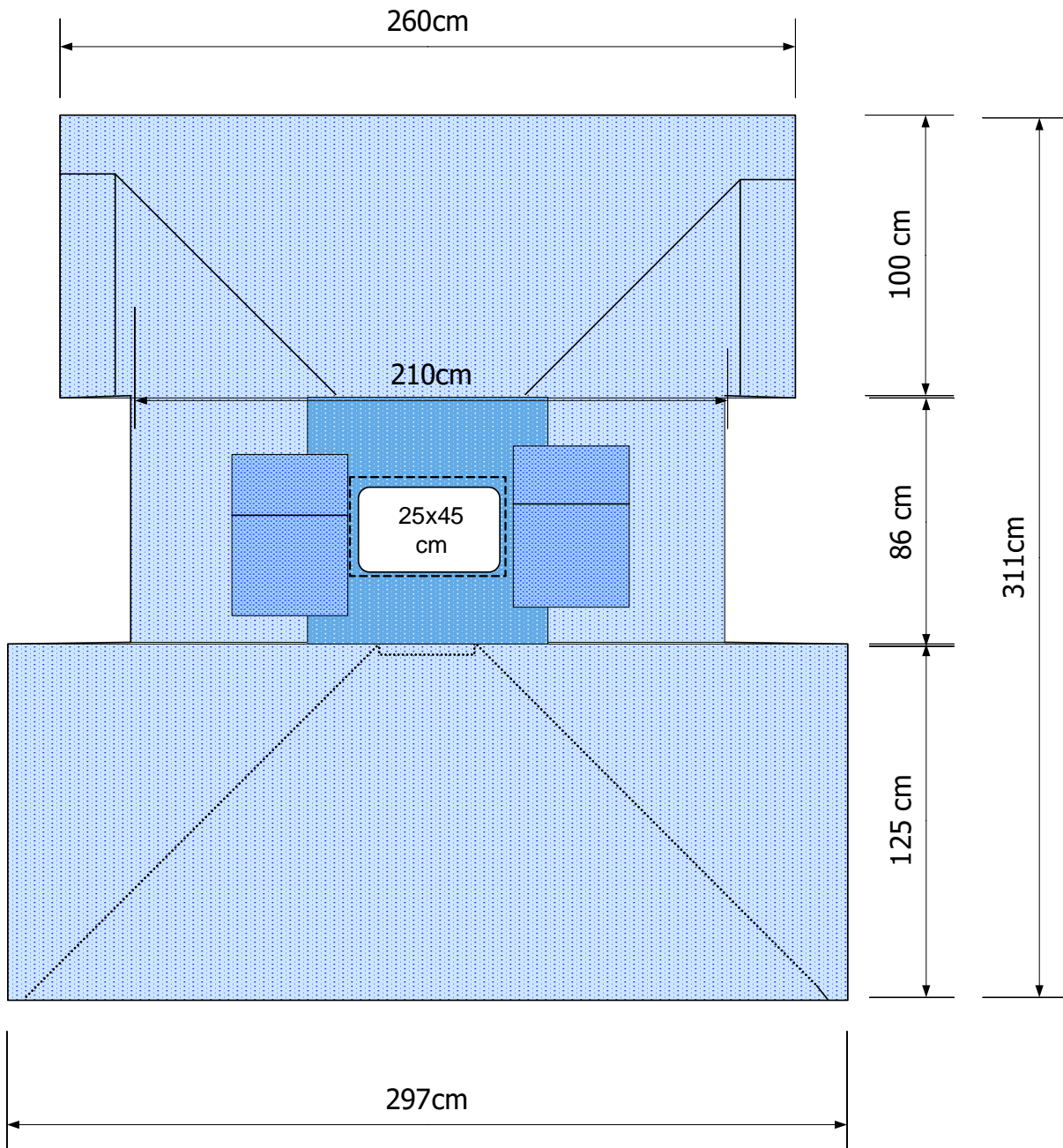
3.6.2.1 Fenestrated drape, SMS, 311 x 297cm, fenestration 20 x 40cm
(BARIATRY)



● SMS material ● absorbent material

Material	Dimensions	Fenestration	Reference number	Order number sterile
SMS	311 x 297cm	20 x 40cm	1303798	116133AA
<i>Widely used for bariatric procedures</i>				
Absorbent area 75 x 85cm				

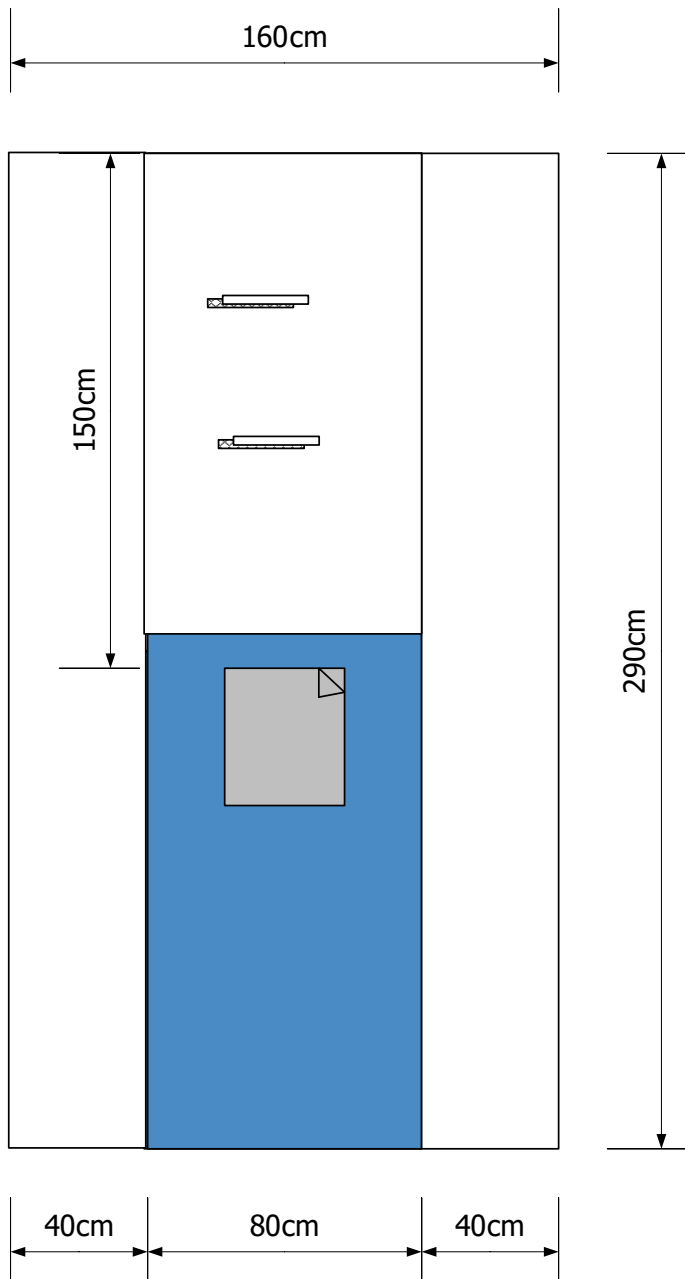
3.6.2.2 Fenestrated drape, SMS, 311 x 297cm, fenestration 25 x 45cm
(BARIATRY)



 SMS material
  absorbent material

Material	Dimensions	Fenestration	Reference number	Order number sterile
SMS	311 x 297cm	25x45cm	1307598	118952AA
<i>Developed for bariatric procedures</i>				
Absorbent area 75 x 85cm				

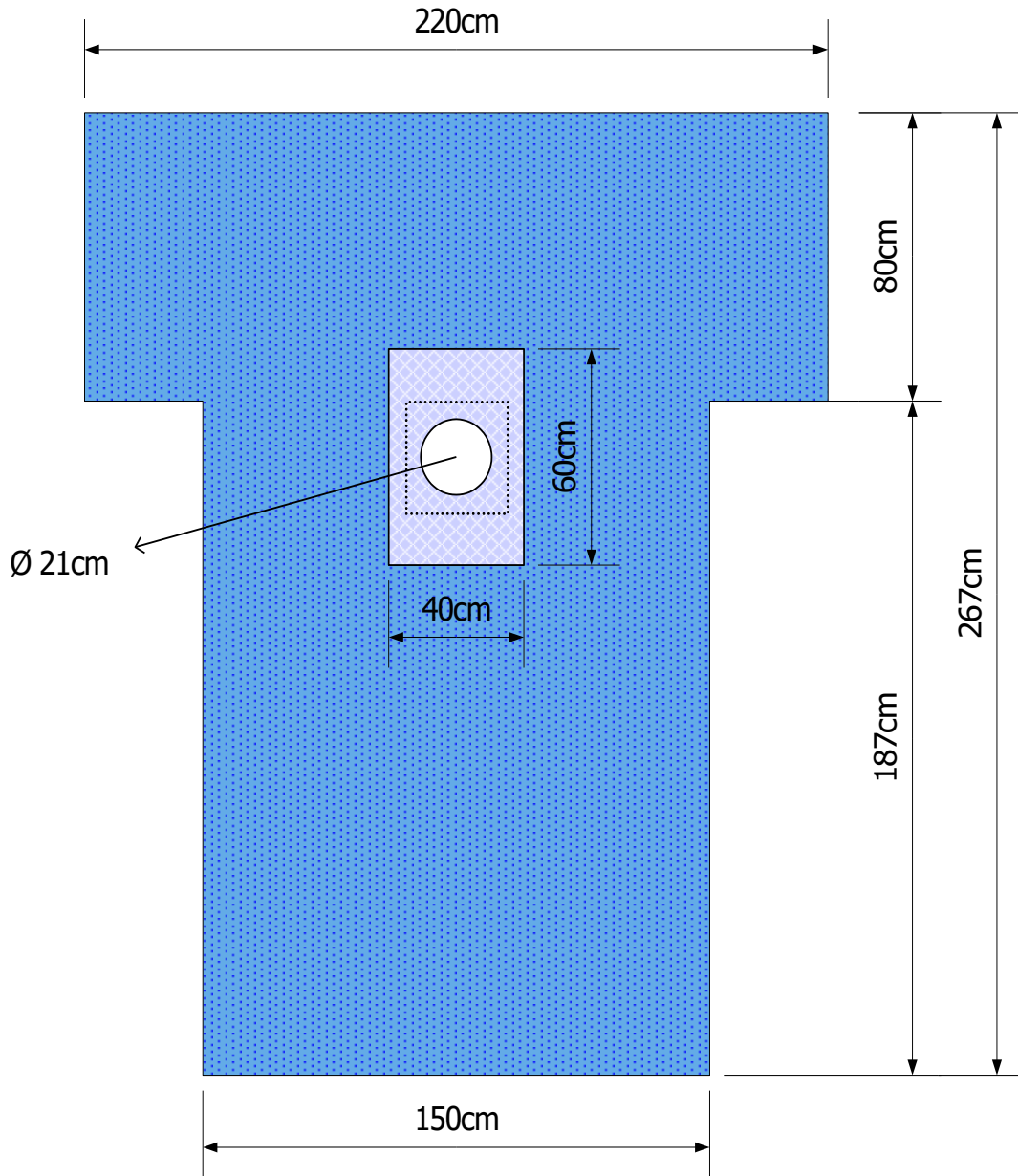
3.6.2.3 Fenestrated drape, 2-layer + PE, 290 x 160cm, fenestration 40 x 35cm with incision film (**ABLATION sheet**)



● 2-layer material ○ Transparent PE ● Incision film

Material	Dimensions	Reference number	Order number sterile
2-layer + PE/clear side panels	290x160cm	1307472	tbd
Fenestration 40 x 35 cm with incision film			
2x velcro			

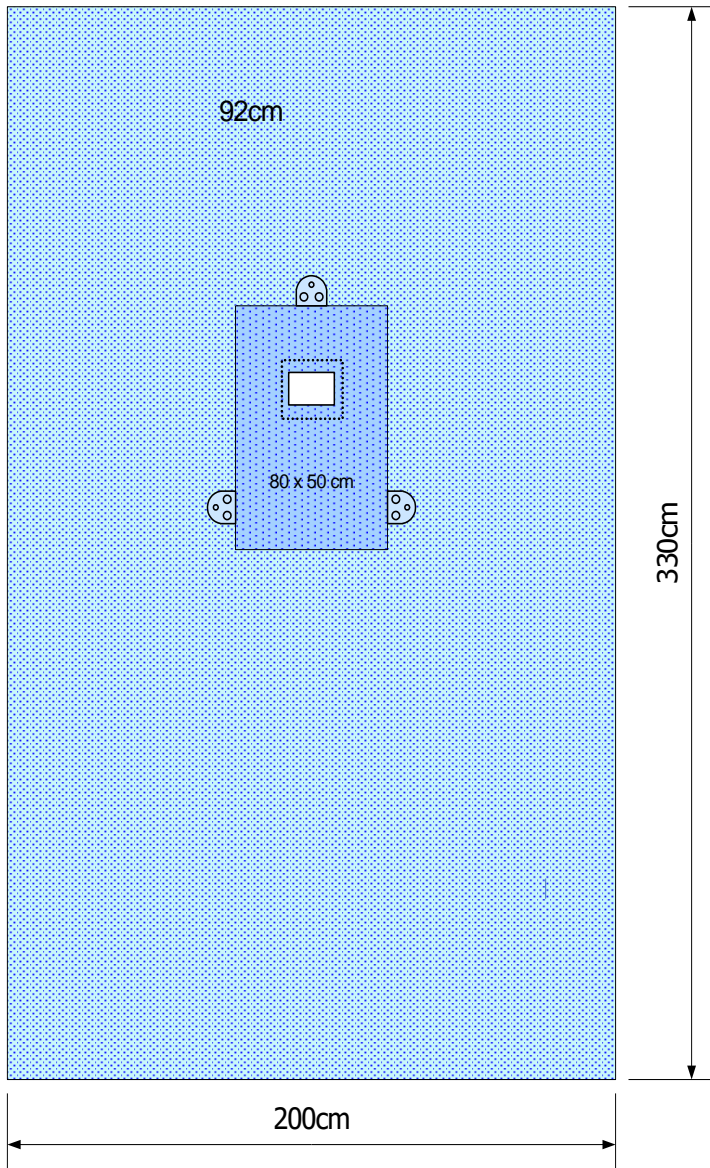
3.6.2.4 Fenestrated drape, SMS, 267 x 220/150cm with fenestration Ø 21cm



● SMMS material ● Absorbent material

Material	Dimensions	Reference number	Order number sterile
SMS	267x220/150cm	1303225	tbd
Fenestration Ø 21cm			
Absorption 40 x60 cm			
Armboard covers			

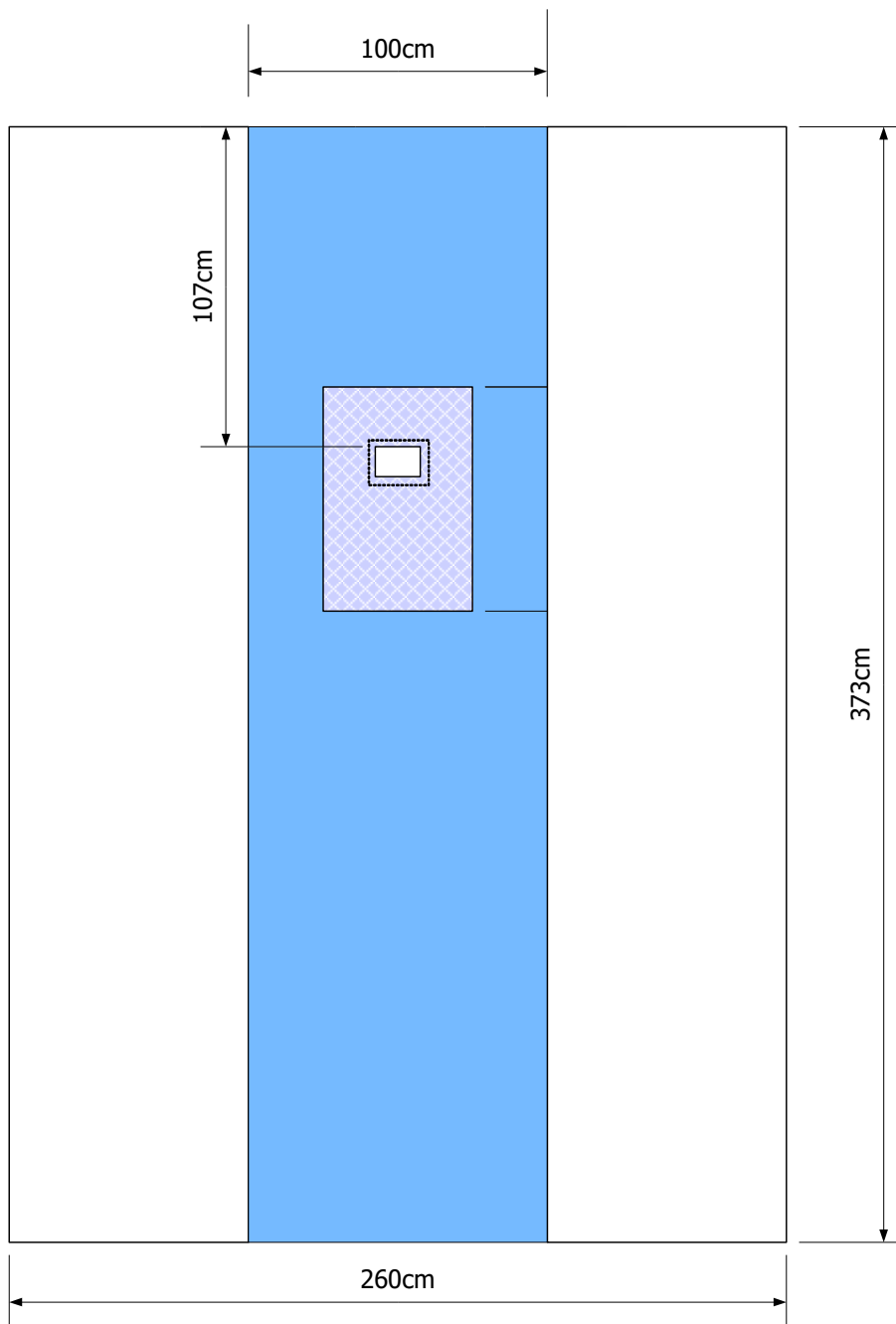
3.6.2.5 Fenestrated drape, Prestico® , 330 x 200cm with fenestration 10 x 15cm
(THYROID)



 Prestico®  Absorbent material

Material	Dimensions	Reference number	Order number sterile
Prestico® material	330 x 200cm	1302943	108016AA
Fenestration 10 x 15cm with absorbent area 80x50cm			
3x tube holder			
Used, among other things, for THYROID procedures			

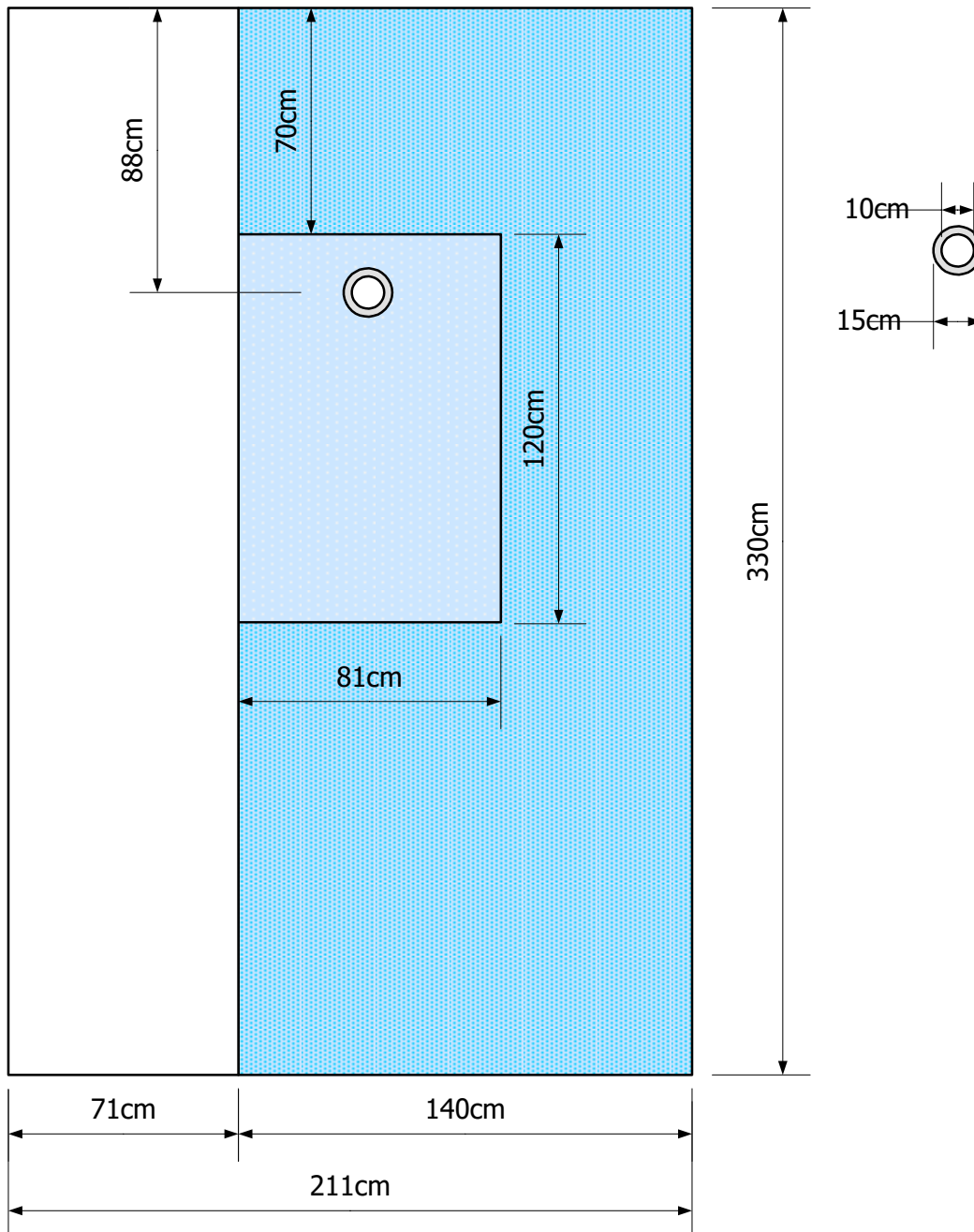
3.6.2.6 Fenestrated drape, 2-layer, 373 x 260cm with fenestration 10 x 15cm
(THYROID)



● 2-layer ● Absorbent material ○ Transparent PE

Material	Dimensions	Reference number	Order number sterile
2-layer material + PE side panels	373 x 260cm	1302593	tbd
Fenestration 10x15cm with tape			
Absorbent area 75 x 50cm			
Also used for THYROID procedures			

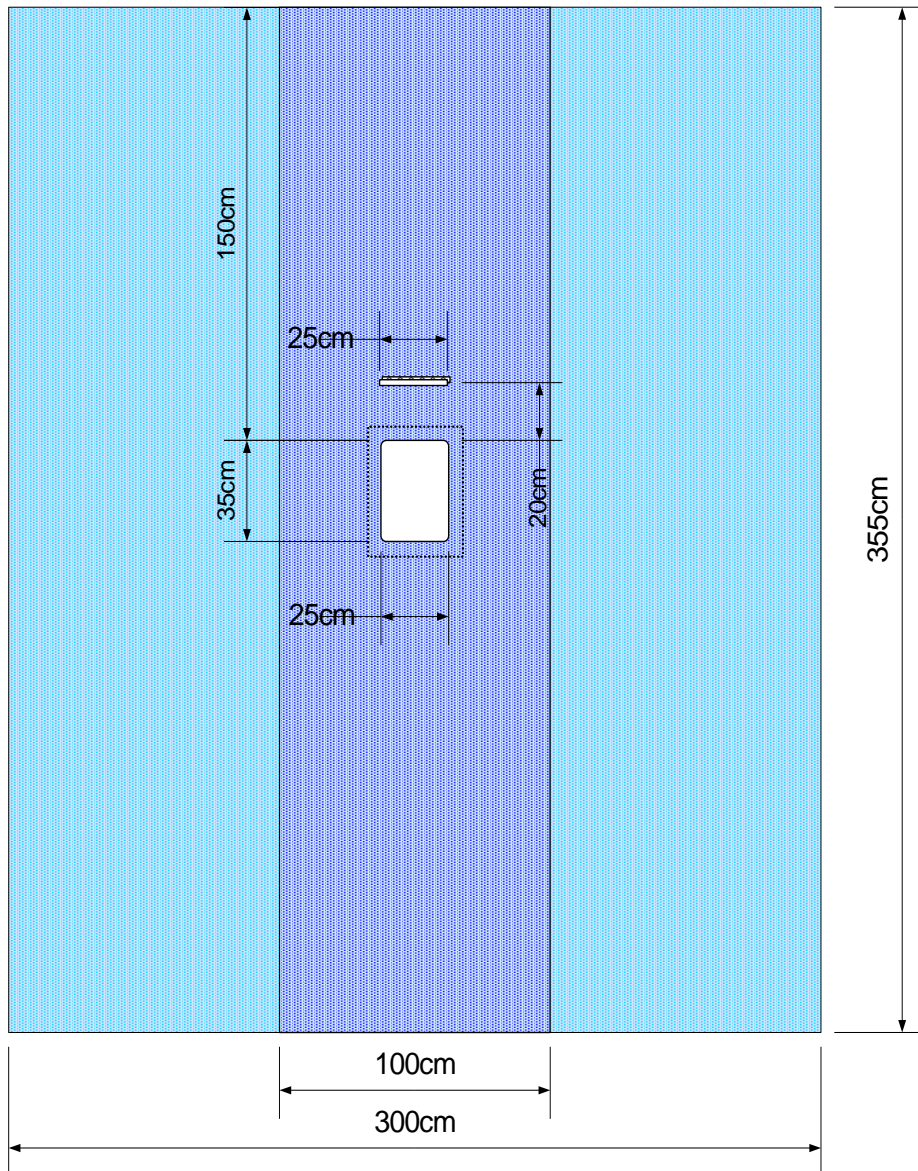
3.6.2.7 Fenestrated drape, SMS, 330 x 211cm, fenestration Ø 15cm with incision film
(BIOPSY)



SMS
 HC PAD
 Transparent PE
 Incision film

Material	Dimensions	Reference number	Order number sterile
SMS material	330 x 211cm	1302555	105965AA
Fenestration Ø15cm with incision film with fenestration Ø10cm			
Used, among other things, for BIOPSY			

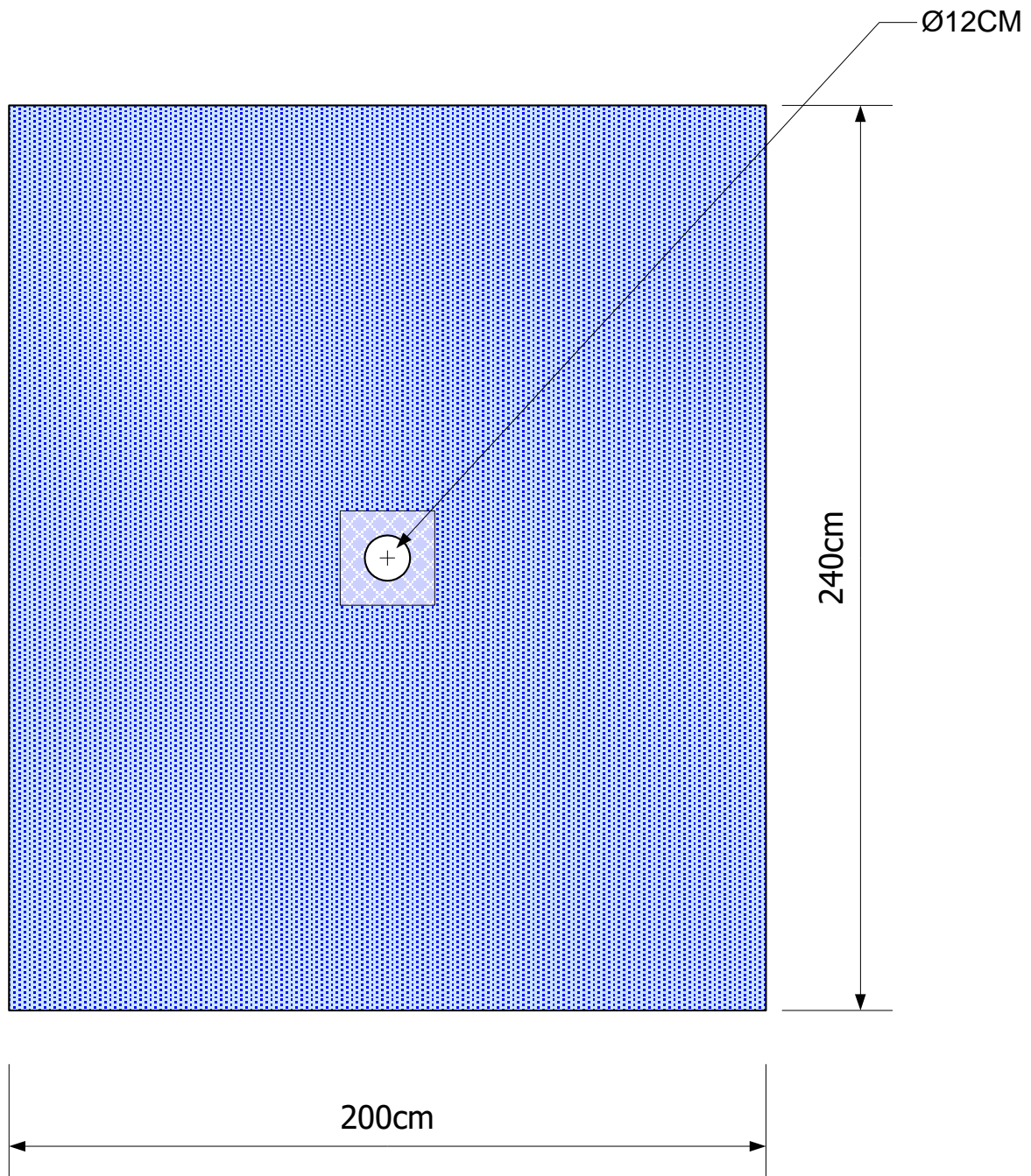
3.6.2.8 Fenestrated drape, 3-layer, 355 x 300cm with fenestration 35 x 25cm



● 3-layer material ● SMS

Material	Dimensions	Reference number	Order number sterile
3-layer material + SMS side panels	355 x 300cm	1302805	107090AA
Fenestration 35 x 25cm			
Velcro 2 x 25cm			

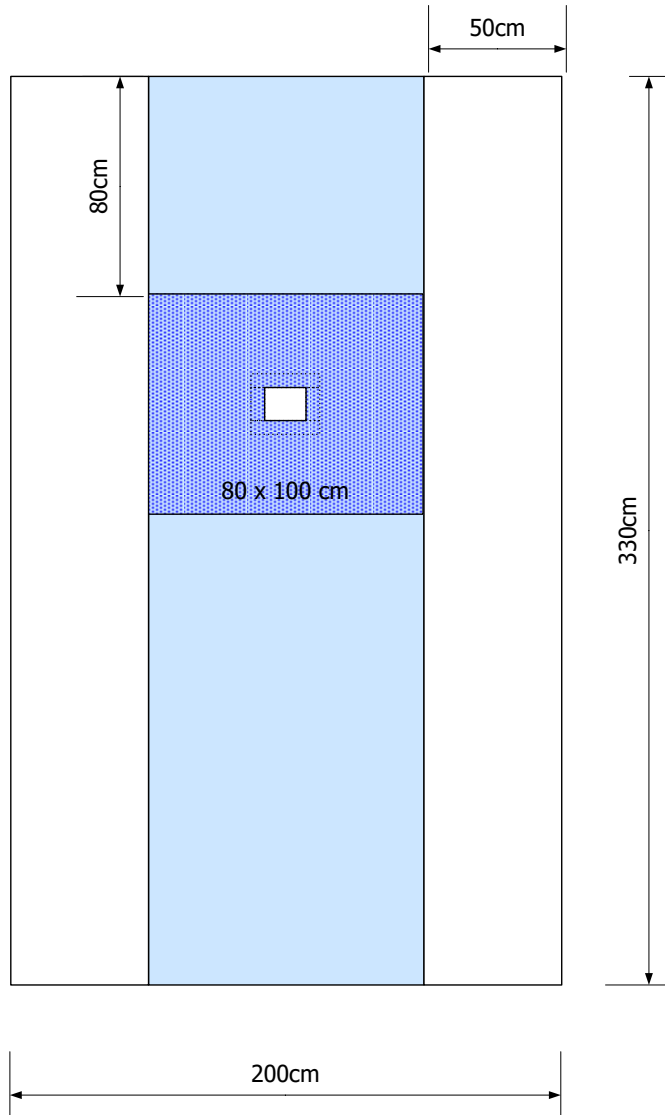
3.6.2.9 Fenestrated drape, 3-layer, 240 x 200cm with fenestration Ø12cm



● 3-layer material ○ Transparent PE

Material	Dimensions	Reference number	Order number sterile
3-layer material	240 x 200cm	1303584	tbd
Fenestration Ø 12cm			
Absorbent area 25 x 25cm			

3.6.2.10 Fenestrated drape, SMS with fenestration 12 x 15cm



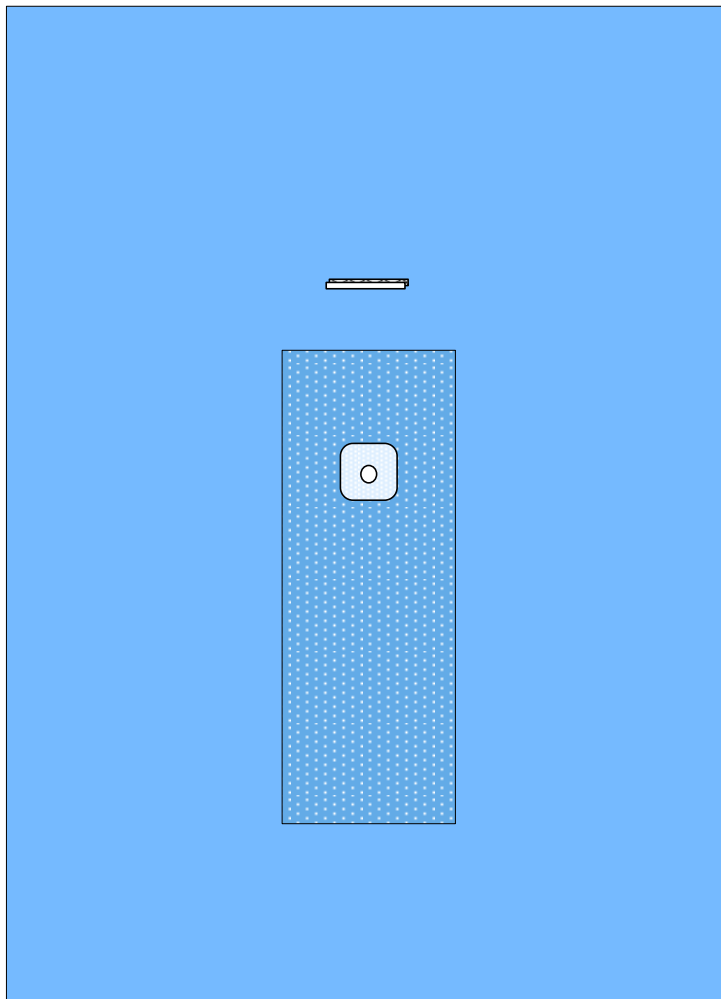
○ SMS ● Absorption material ○ PE clear

Material	Dimensions	Reference number	Order number sterile
SMS with PE side panels	330 x 200cm	1303328	109513AA
Fenestration 12 x 15 cm, with absorbent area 80 x 100 cm			

4 Orthopedics

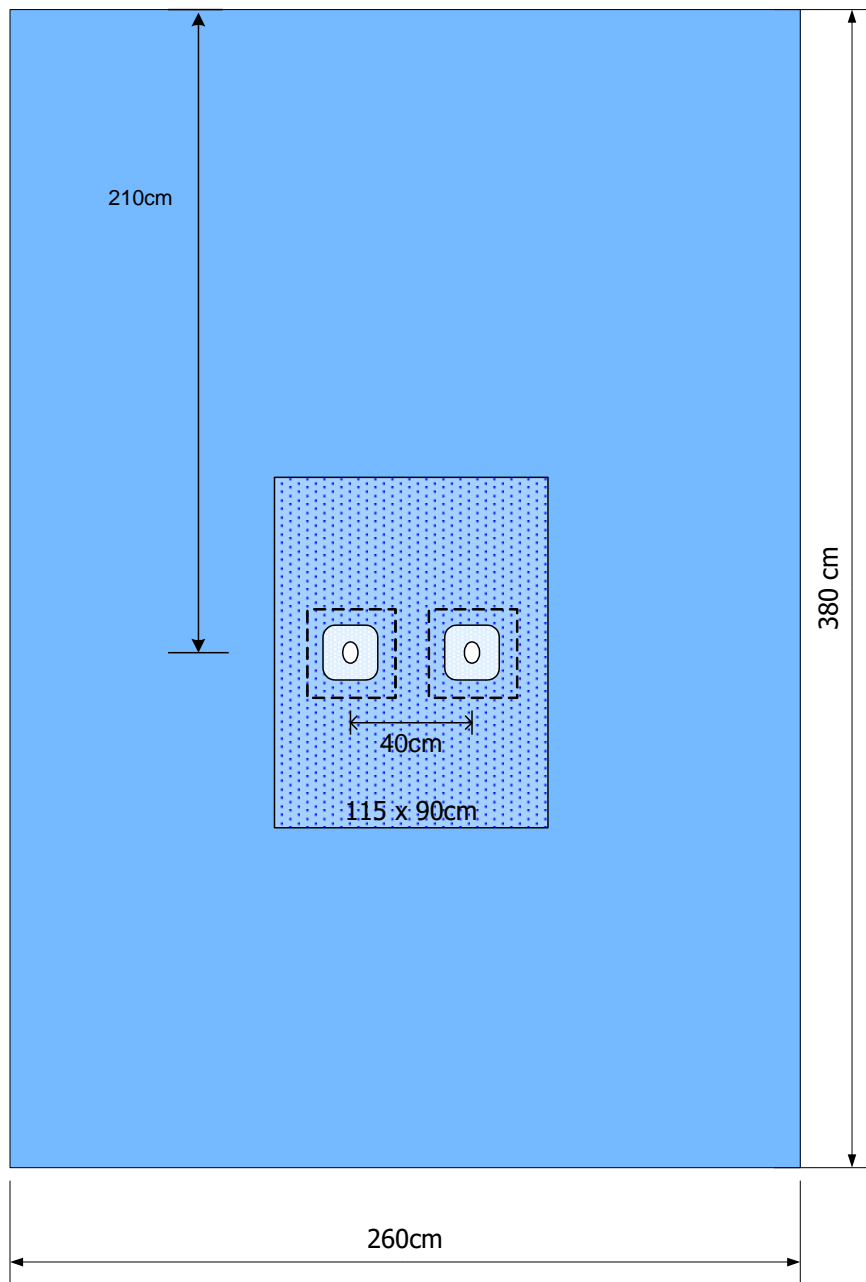
4.1 Extremity drapes

4.1.1 Extremity drape with elastic fenestration



	Material	Dimensions	Reference number	Order number sterile
1	SMS	320 x 220cm	1301928	106227AA
2	2-layer HCD	315 x 230cm	1304630	115731AA
3	3-layer	318 x 220cm	1301977	117065AA (was 103697AA)
Elastic fenestration with oval opening of 5 x 7cm				
Velcro 25cm				

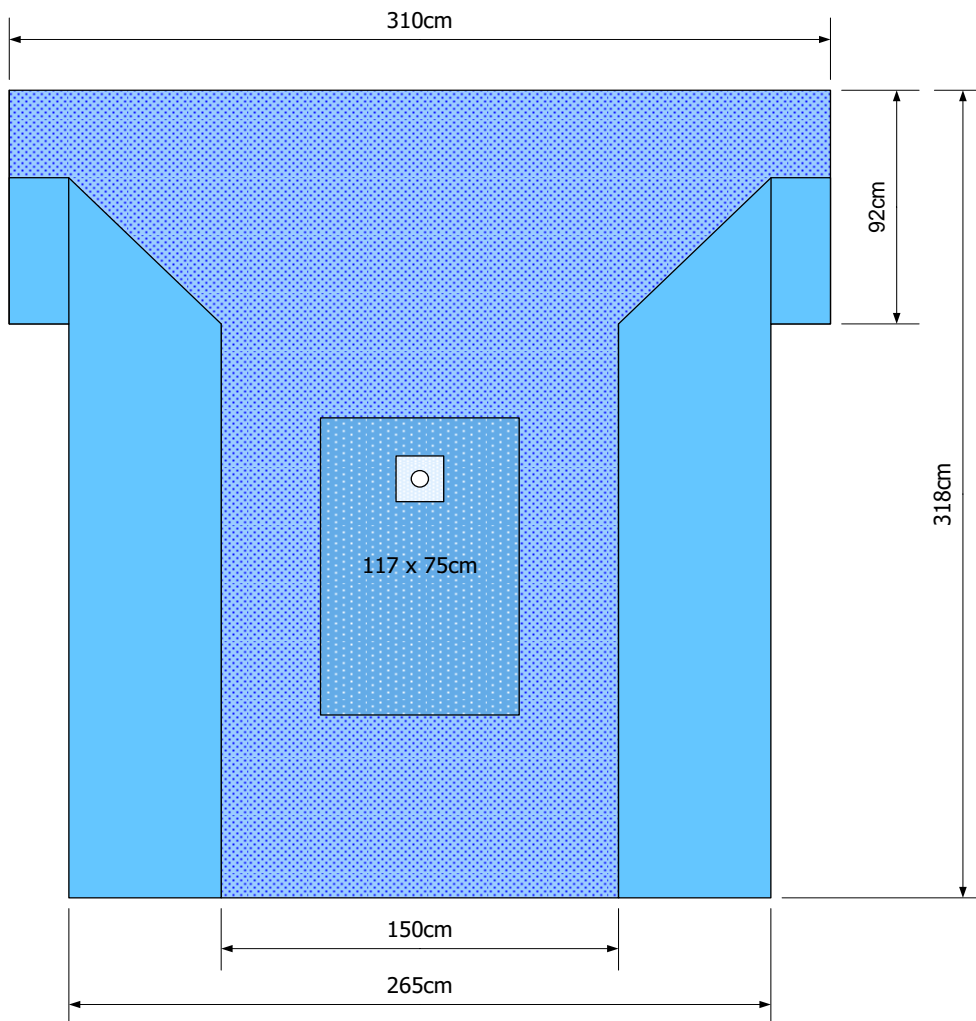
4.1.2 Bilateral extremity drape with 2 elastic fenestrations



● 2-layer ● Absorbent material ○ Elastic material

Material	Dimensions	Reference number	Order number sterile
2-layer material	380 x 260cm	1302993	108381AA
Two elastic fenestrations with 2 oval openings of 7 x 5cm			
Absorbent area 115 x 90cm			

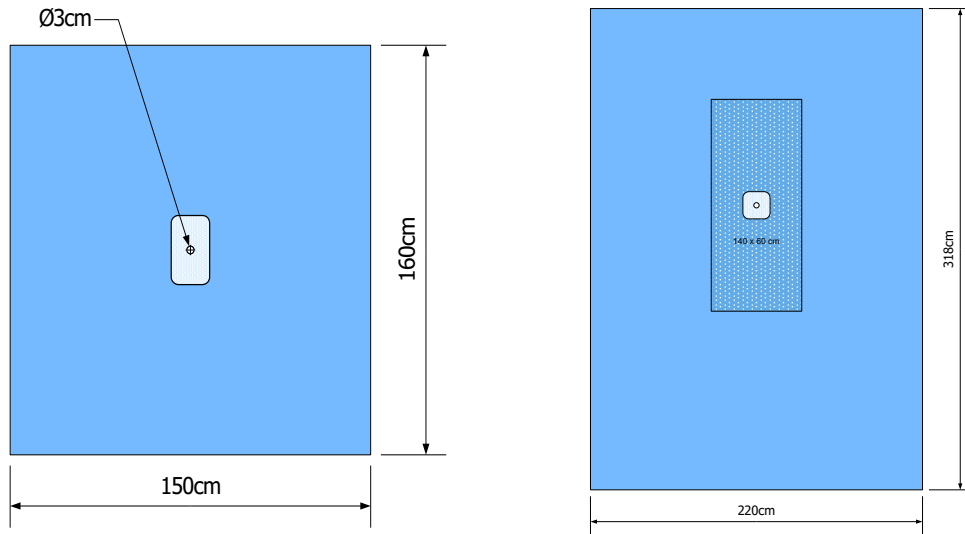
4.1.3 Extremitiy drape with elastic fenestration and armboard cover



● Abs ● PE blue ○ Elastic material

	Material	Dimensions	Reference number	Order number sterile
1	Prestico®	318 x 265/310cm	1302545	106234AA
2	3-layer material	318 x 265/310cm	1302542	106168AA
Elastic fenestration 18x18cm with opening of Ø 6.5cm				
Absorbent area 117 x 75cm				
Armboard Covers				

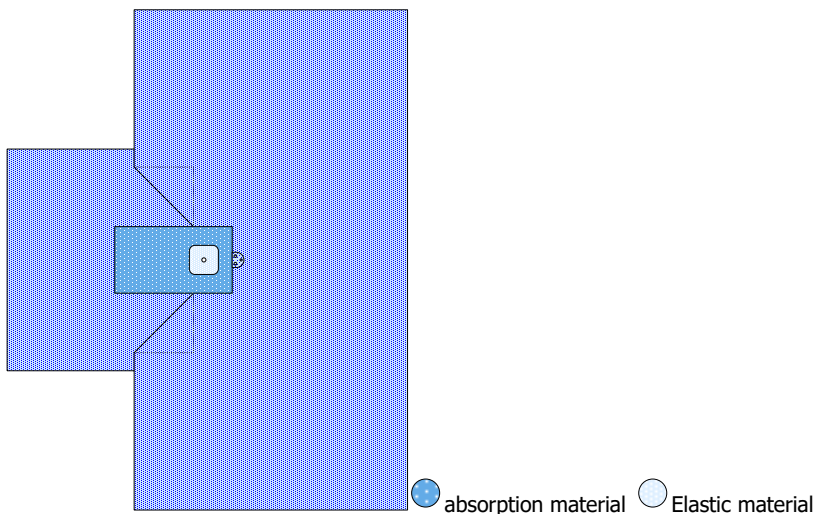
4.1.4 Extremity drape (hand/foot) with small opening



● 2-layer material ○ Elastic material ● 2-layer ● PSB3030 ○ kraton

	Material	Dimensions	Reference number	Order number sterile
1	2-layer material	160 x 150cm	1301576	109947AA
2	2-layer material	318 x 220cm	1303876	112232AA
Elastic fenestration with opening Ø 3cm				
Absorbent area 140 x 60cm				

4.1.5 Hand drapes

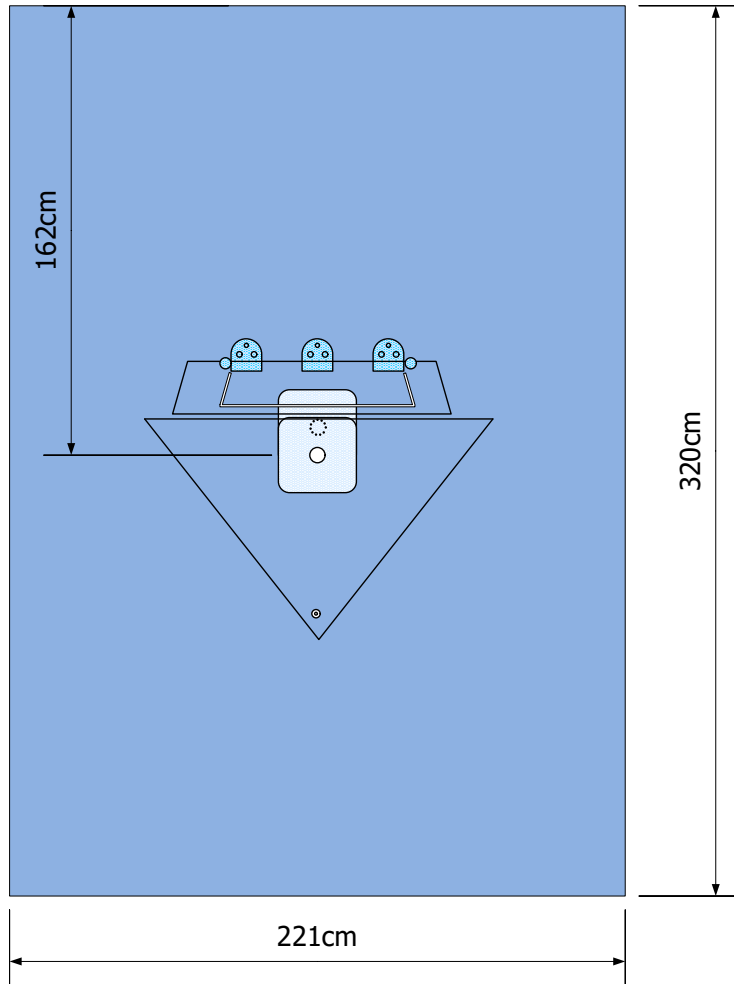


● absorption material ○ Elastic material

	Material	Dimensions	Reference number	Order number sterile
1	2-layer	361 x 290/160cm	1303679	112233AA
2	3-layer	361 x 290/160cm	1302641	107134AA
3	SMS	270 x 302/160cm	1301926	106236AA
Elastic fenestration Ø 3cm				

4.2 Arthroscopy drapes

4.2.1 Arthroscopy drape, 320x221 cm, with fluid collection bag

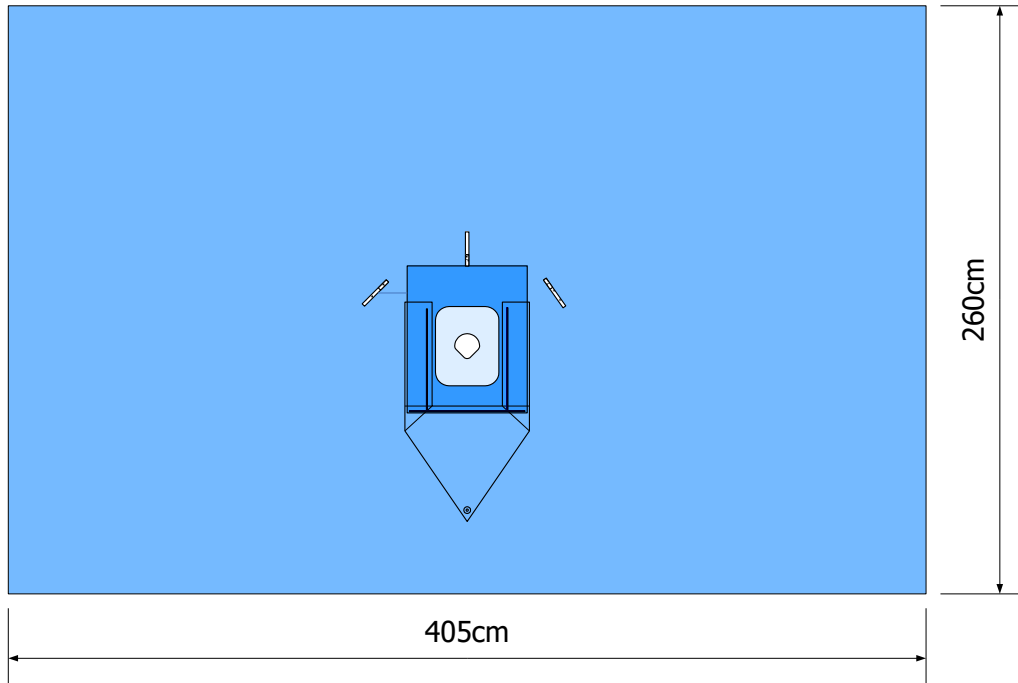


● 2-layer material ○ Elastic material

	Material	Dimensions	Reference number	Elastic fenestration	Order number sterile
1	SMS	320 x 221cm	1301929	Ø 6cm	104362AA
2	2-layer	320 x 221cm	1304553	Ø 6cm / large collection bag	115441AA
Fluid collection bag 3 x tube holder					

4.3 Shoulder drapes

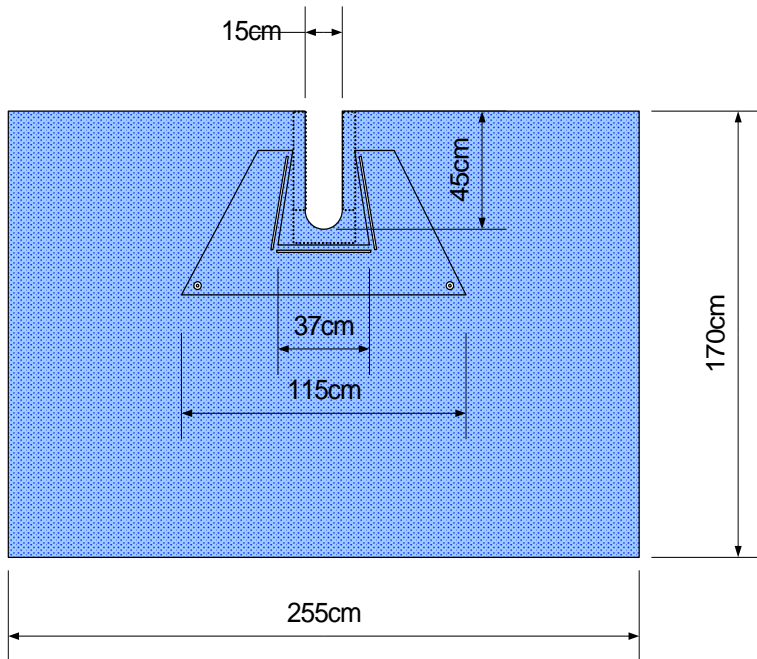
4.3.1 Shoulder drape, 260 x 405cm (beach chair position)



○ Elastic material ● PE-Film reinforcement

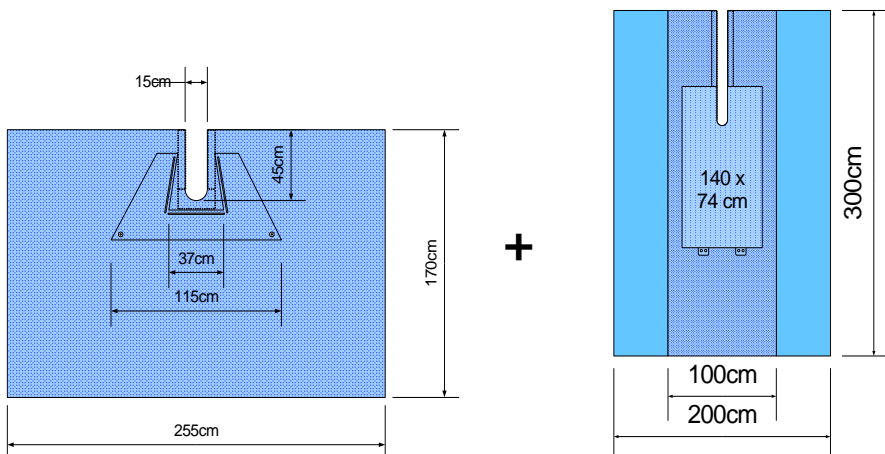
	Material	Dimensions	Reference number	Order number sterile
1	2-layer	260 x 405cm	1303680	112234AA
2	3-layer	260 x 405cm	1302640	107413AA
Fluid collection bag with valve and flexwires				
3 x velcro tube holders				
Tape on elastic material (kraton)				

4.3.2. Shoulder drape



3-layer

Material	Dimensions	Reference number	Order number sterile
3-layer material	170 x 255cm	1302544	105264AA
Fluid collection bag			
Tape 5cm			

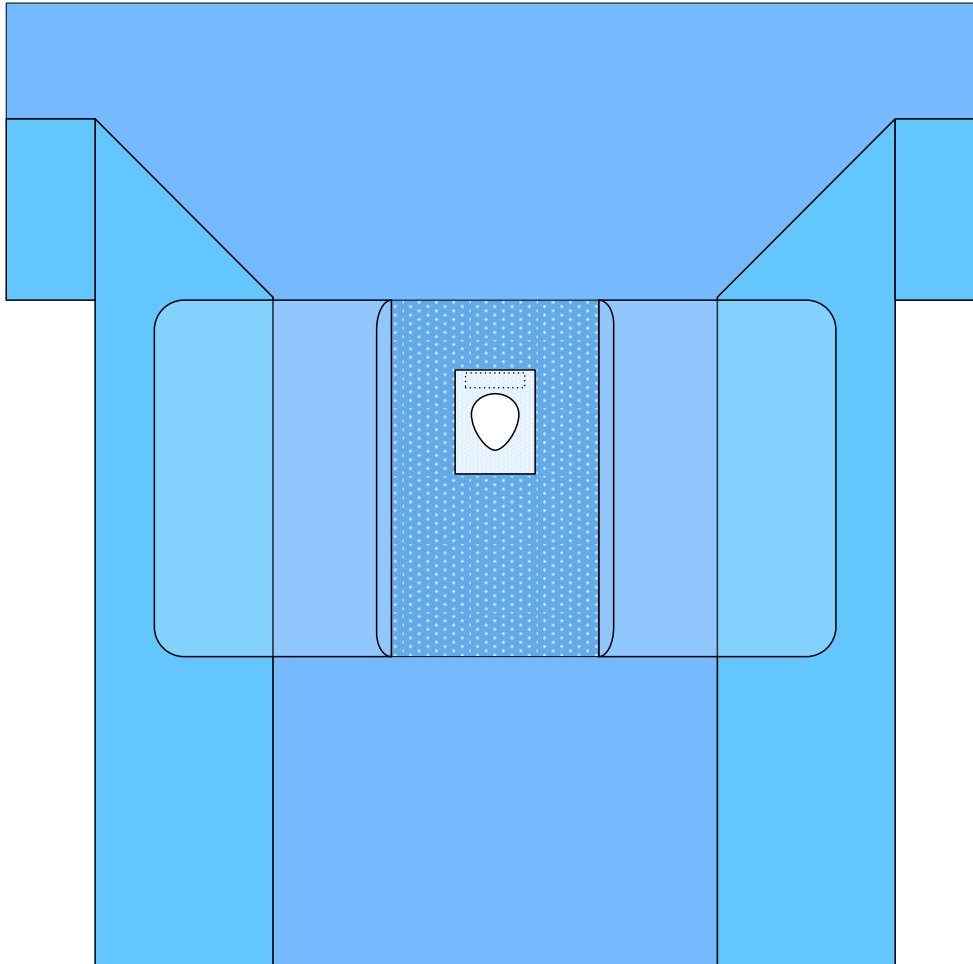


**Combination option for total draping 3ply material:
1302544+1307253**

**Order number sterile
107534AA**

4 .4 Hip drapes

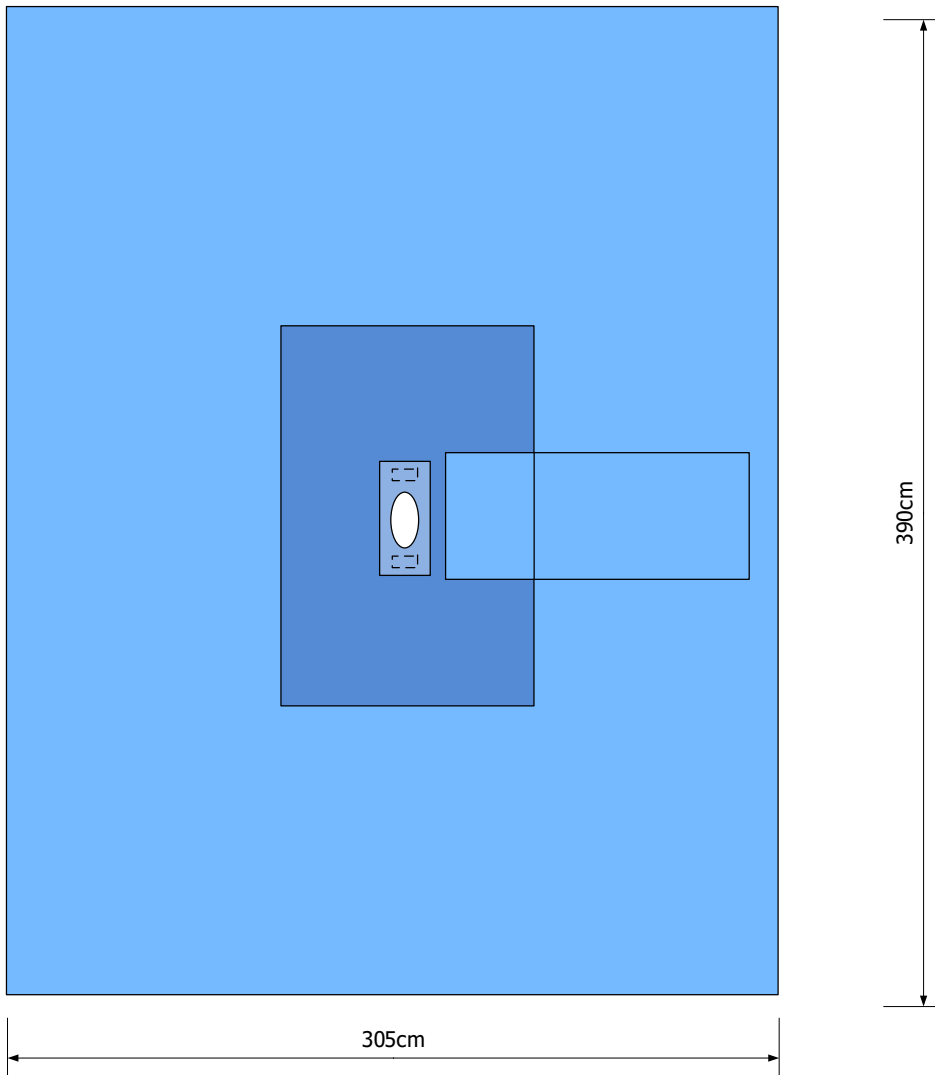
4.4.1 Hip drape



● PE/blue ● Absorption material ○ Elastic material

Material	Dimensions	Absorbent area	Reference number	Order number sterile
2-layer	325 x 270/330cm	120 x 70cm	1303681	112295AA
3-layer	325 x 270/330cm	150 x 70cm	1302275	105762AA
Two fluid collection bags				
Oval elastic fenestration 16 x 19cm, with tape 5 x 20cm				
Armboard Covers				

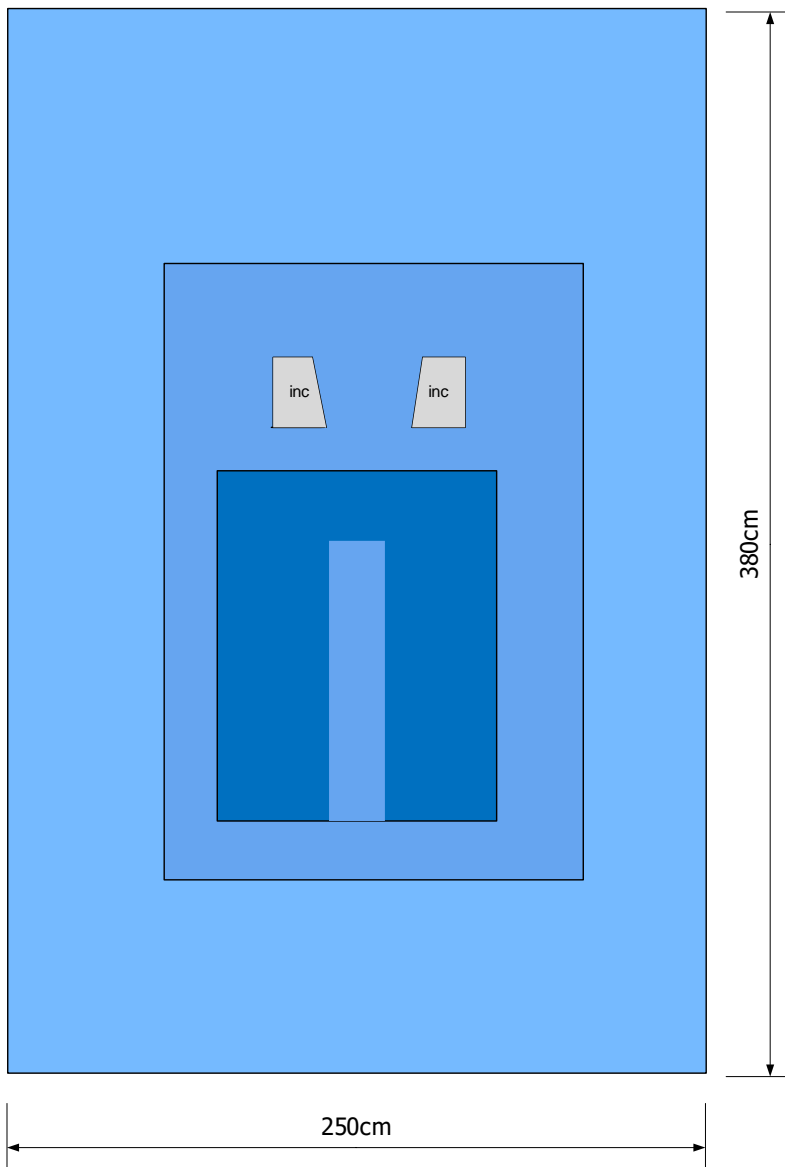
4.4.2 Hip drape, anterior approach (option I)



● 2-layer ● Absorption material ○ Elastic material

Material	Dimensions	Absorbent area	Reference number	Order number sterile
2-layer	390 x 305cm	150 x 100cm	1304704	117449AA
1 leg cover 50 x 120cm				
Elastic fenestration 45 x 20cm with oval opening 22 x 12cm, top and bottom tape 5 x 10cm (on kraton)				

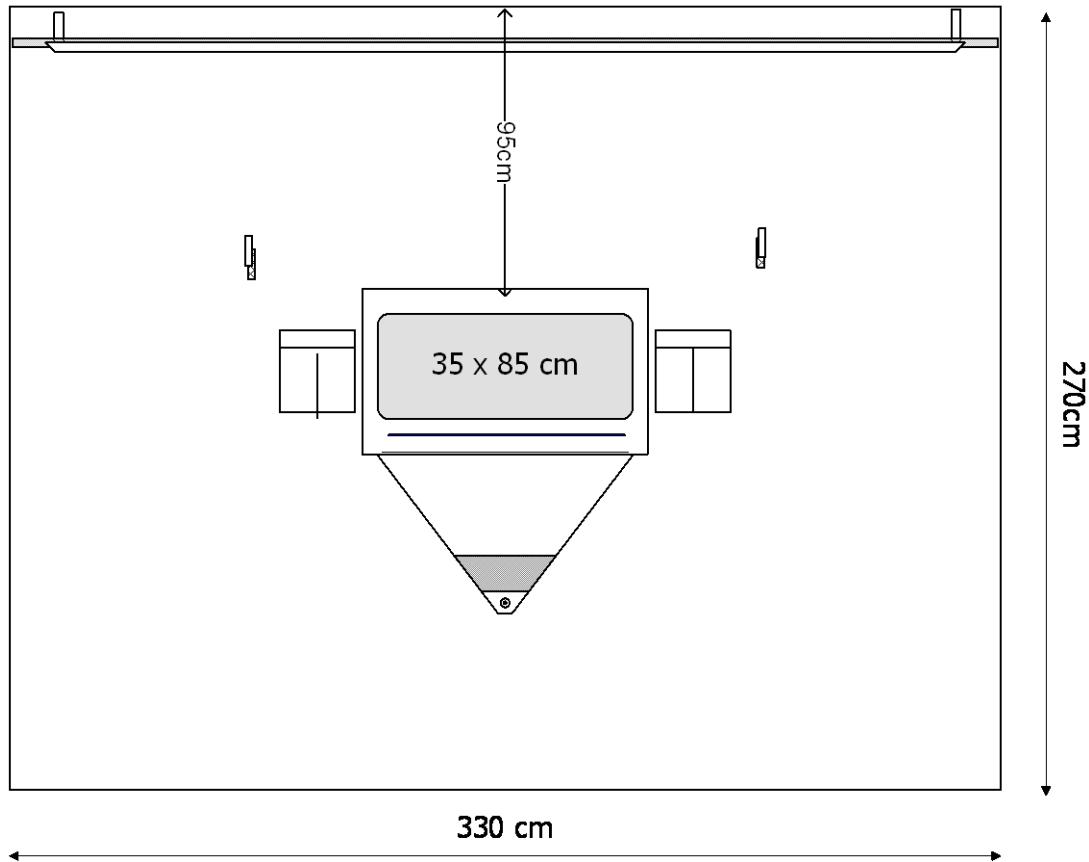
4.4.2 Hip drape, anterior approach (Option II)



● 2-layer ● Absorption material ○ Elastic material

Material	Dimensions	Absorbent area	Reference number	Order number sterile
2-layer	380 x 250cm	150 x 220cm	1307687	119123AA
2 leg covers 40 x 125cm				
2 fenestrations 25 x 14/19cm with incision film				

4.4.3 Vertical insulation sheet



○ Transparent PE ○ Incision film

Material	Dimensions	Incision film	Reference number	Order number sterile
PE/transparent	270 x 330cm	35 x 85cm	1302292	117081AA (was 105066AA)
PE/transparent	241 x 328cm	25 x 85cm	1303696	111540AA
Incision film 35 x 85cm				
Tape at the top 2 cm wide				
Fluid collection bag, 89cm wide and 60cm high with filter and valve				
2 x velcro				
2 x instrument bag 25 x 28cm				

5 Neurology

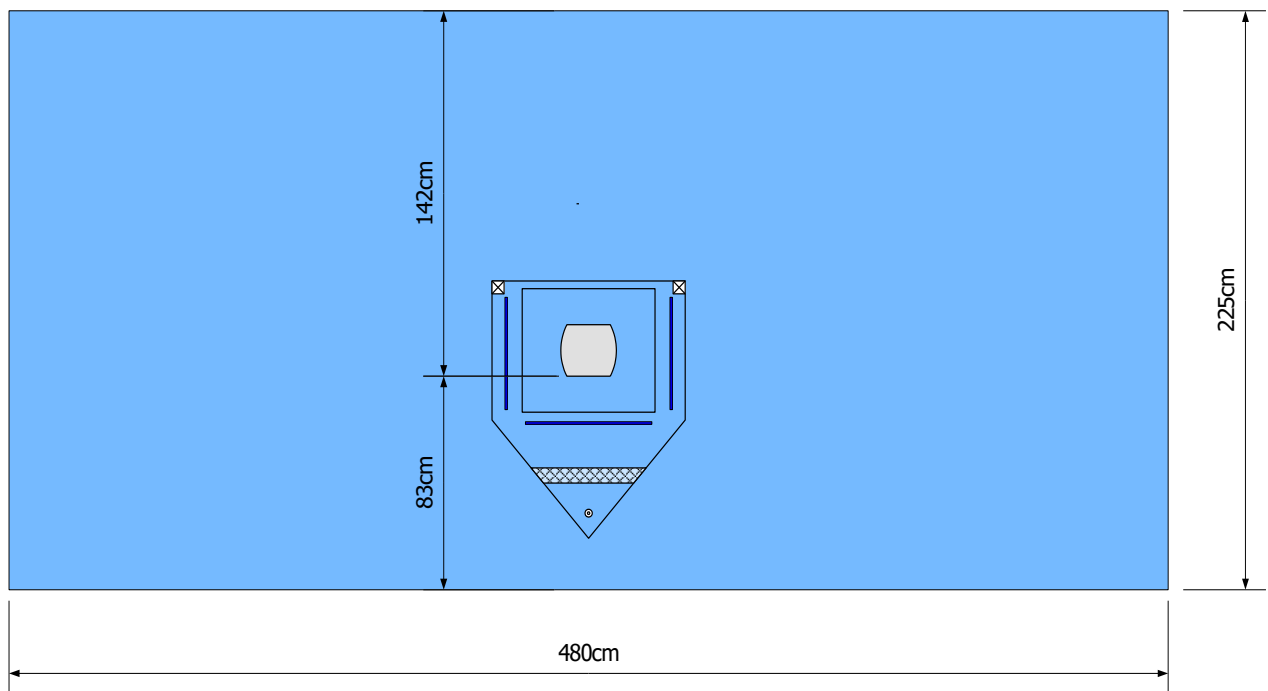
5.1 HNP (Hernia Nuclei Pulposi)

To be used as an HNP sheet:

1302805 Sheet with fenestration , 3-layer, 355 x 300cm, fenestration 35x25cm
(see page 47)

5.2 Craniotomy drapes

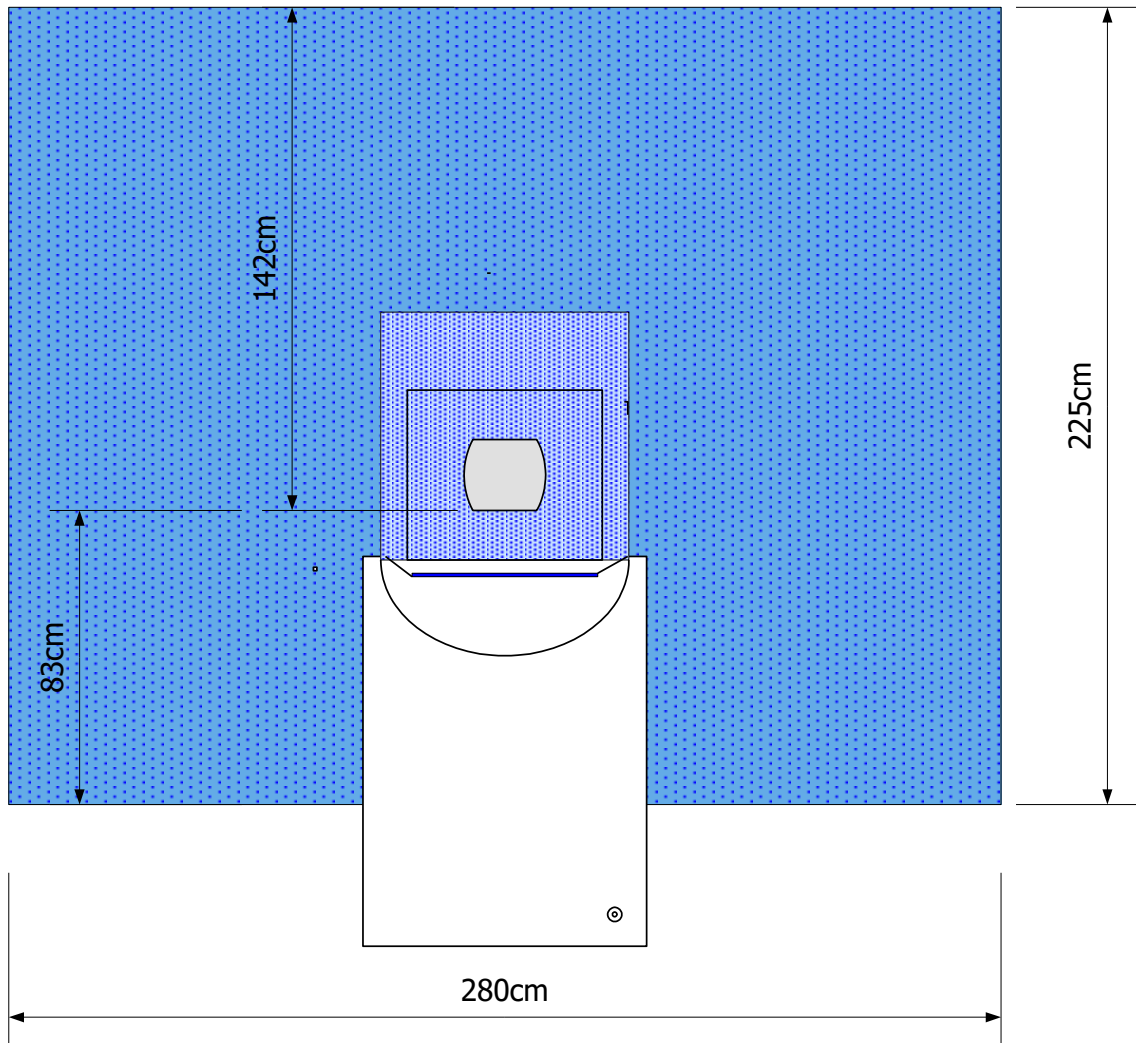
5.2.1 Craniotomy drape, 2-layer, 225 x 480cm with fenestration 20x23cm



● 2-layer ○ Incision film

Material	Dimensions	Reference number	Order number sterile
2-layer	225 x 480cm	1301963	108485AA
Fluid collection bag with filter			
Fenestration 20x23cm with full incision film			

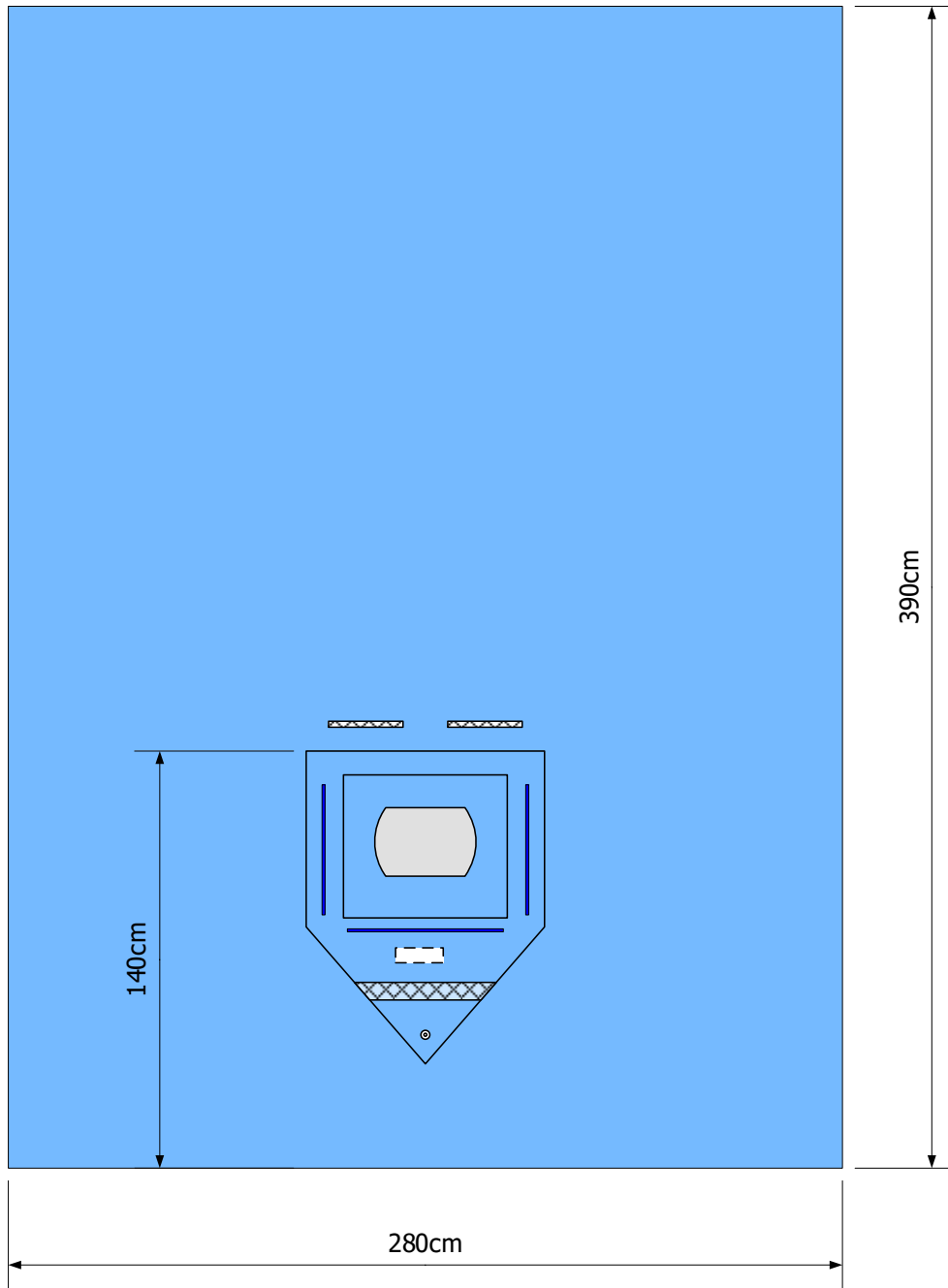
5.2.2 Craniotomy drape, SMS, 225 x 280cm with fenestration 20x23cm



● SMMS ● Absorbent material ● Incision film ○ Transparent PE

Material	Dimensions	Reference number	Order number sterile
SMS	225 x 280cm	1303194	103698AA
Fluid collection bag with filter and perforated inner bag			
Fenestration 20 x 23cm with full incision tape			
Absorbent area 70 x 85cm			
2 pre-cut points for mounting navigation equipment			

5.2.3 Craniotomy drape, 2-layer, 390 x 280cm with fenestration 23x34cm



● 2-layer material ○ Incision film

Material	Dimensions	Reference number	Order number sterile
2-layer material	390 x 280cm	1307244	103855AA
Fluid collection bag with filter			
Fenestration 23 x 34cm with full incision film			

6 Gynaecology, obstetrics and urology

6. 1 Laparoscopy/tomy drapes

To be used as laparoscopy/tomy drapes:

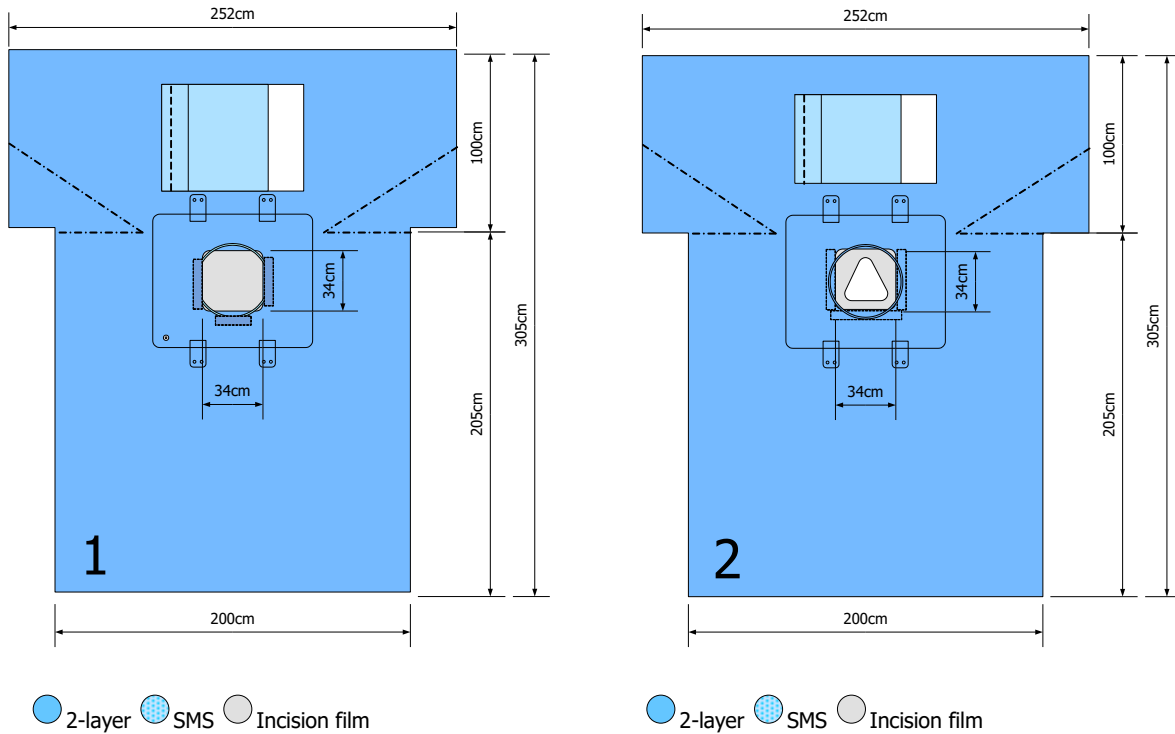
1302805 Sheet with fenestration 3-layer, 355 x 300cm, with fenestration 35 x 25cm
(see page 47)

1303225 Sheet with fenestration SMS, 220x150/267cm, with fenestration Ø 21
(see page 45)

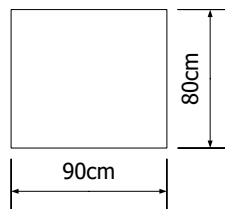
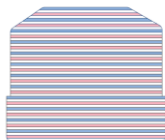
1303798 Sheet with fenestration , SMS, 311 x 297cm, with fenestration 20 x 40cm
(see page 40)

6.2 C-Section drapes

6.2.1 C-Section drape with mother watch fenestration, gentle method

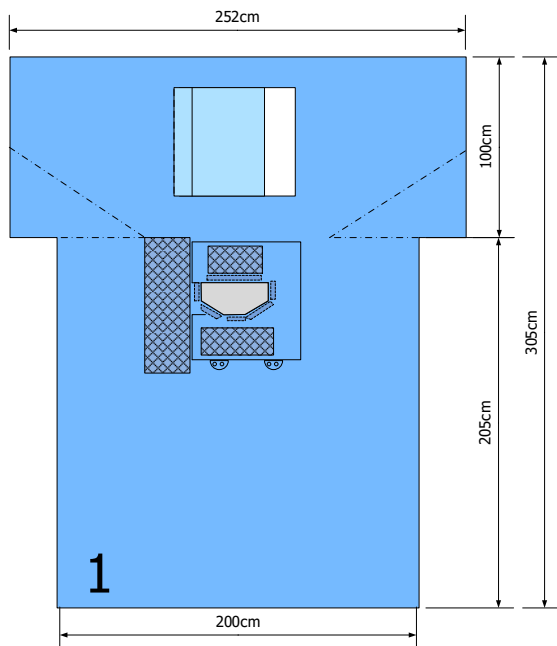


Material	Dimensions	Reference number	Order number sterile
2-layer material	305 x 200/252cm	1303371	109972AA
2-layer material	305 x 200/252cm	1303752	111286AA
Abdominal fenestration 34 x 34cm with incision film			
Additional tape for extra fixation			
4x tube holders			
360 degree fluid collection bag			
Mother watch fenestration with cover sheet			

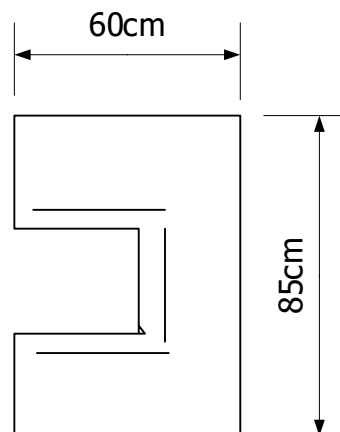
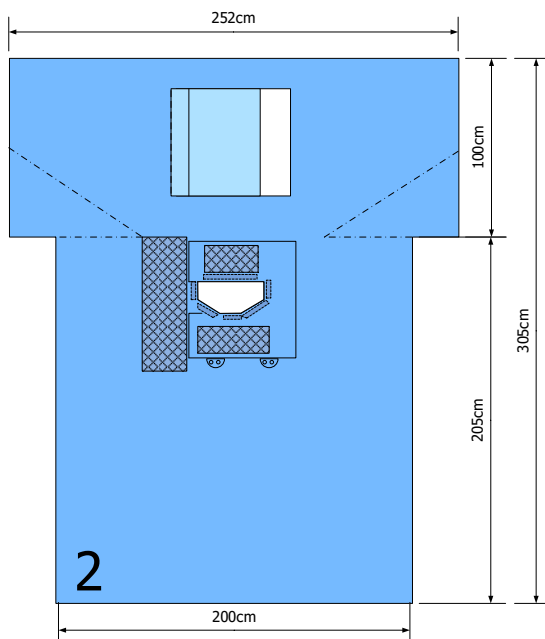
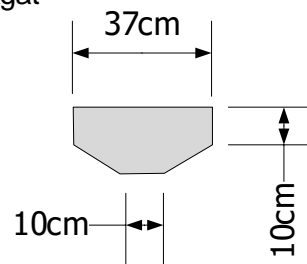


Accessories	Dimensions	Reference number	Order number sterile
Baby cap	23 x 13 cm	1305876	tbd
Baby blanket spunlace	150 x 100cm	1307684	tbd
Baby blanket non-woven	90 x 80cm	1304679	115833AA

6.2.2 C-Section drape with mother watch fenestration and small abdominal fenestration



Vorm buikgat

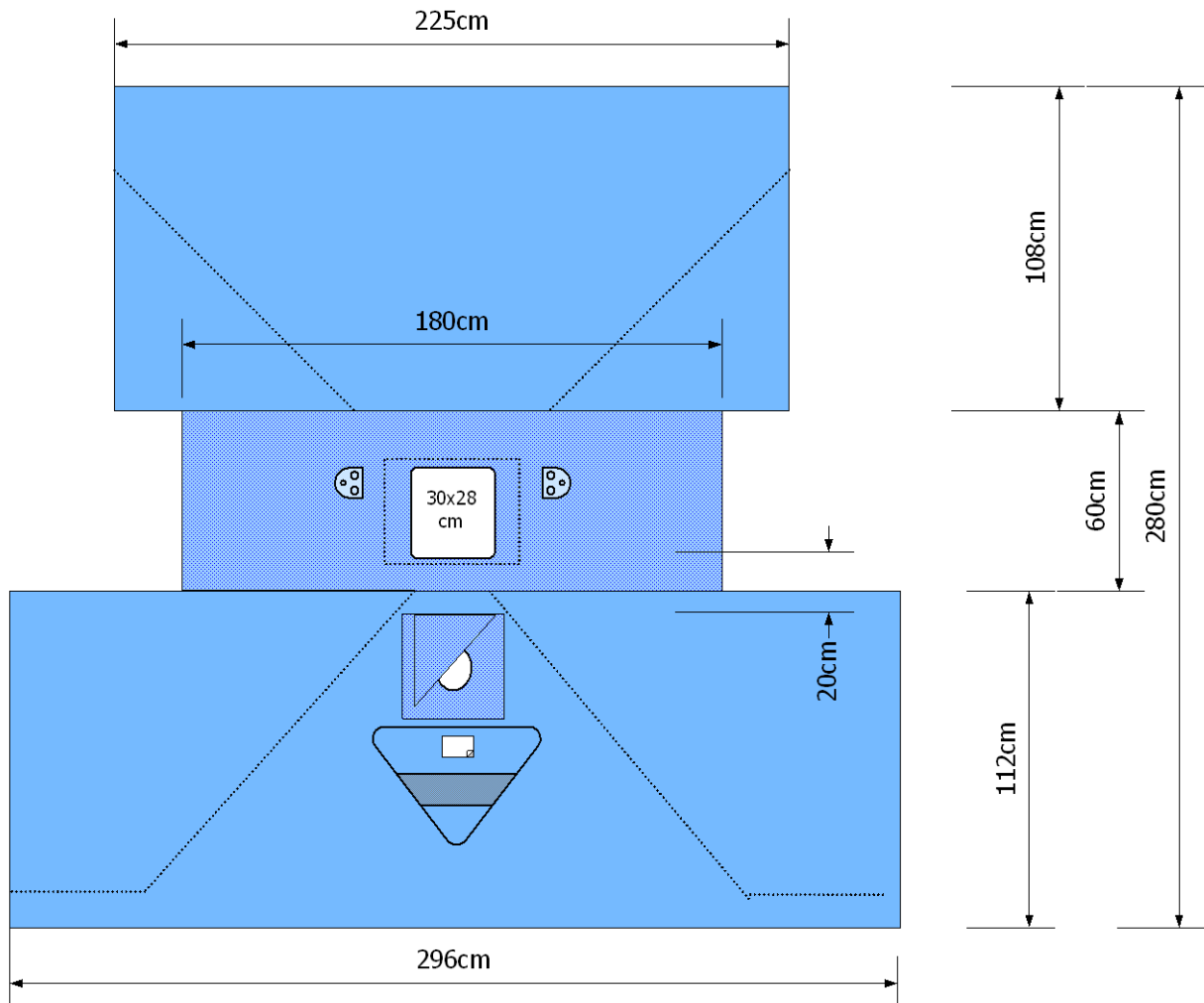


Vorm vloeistofopvang zak

	Material	Dimensions	Reference number	Order number sterile
1	2-layer with INC.	305 x 200/252cm	1304530	115354AA
2	2-layer	305 x 200/252cm	1307496	117757AA
Fluid collection bag				
Full incision film tube holders, armboard covers				
Extra absorption around abdominal fenestration				

6.3 Gynecology - laparotomy drapes

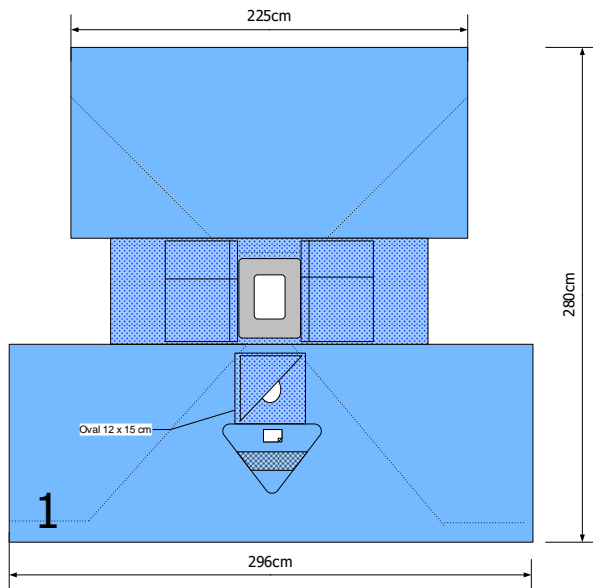
6.3.1 Gyn/lap drape 280 x 296/180/225cm with fenestration 30 x 28cm



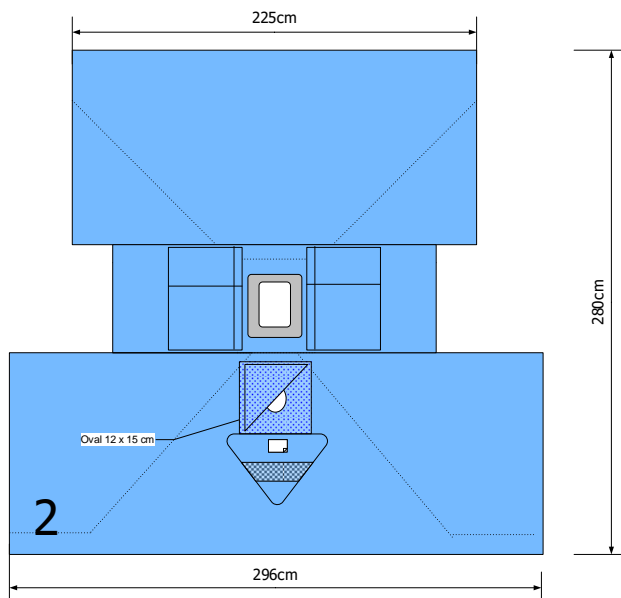
● 3-layer ● 2-layer

Material	Dimensions	Reference number	Order number sterile
2/3 layer material	280 x 296/180/225cm	1303482	117083AA (was 110243AA)
Abdominal fenestration 30 x 28cm			
Gynaecology fenestration oval 12 x 15cm, with cover			
Fluid collection bag with drain option			
2x tube holder			

6.3.2 Gyn/lap drape 280 x 296/180/225cm



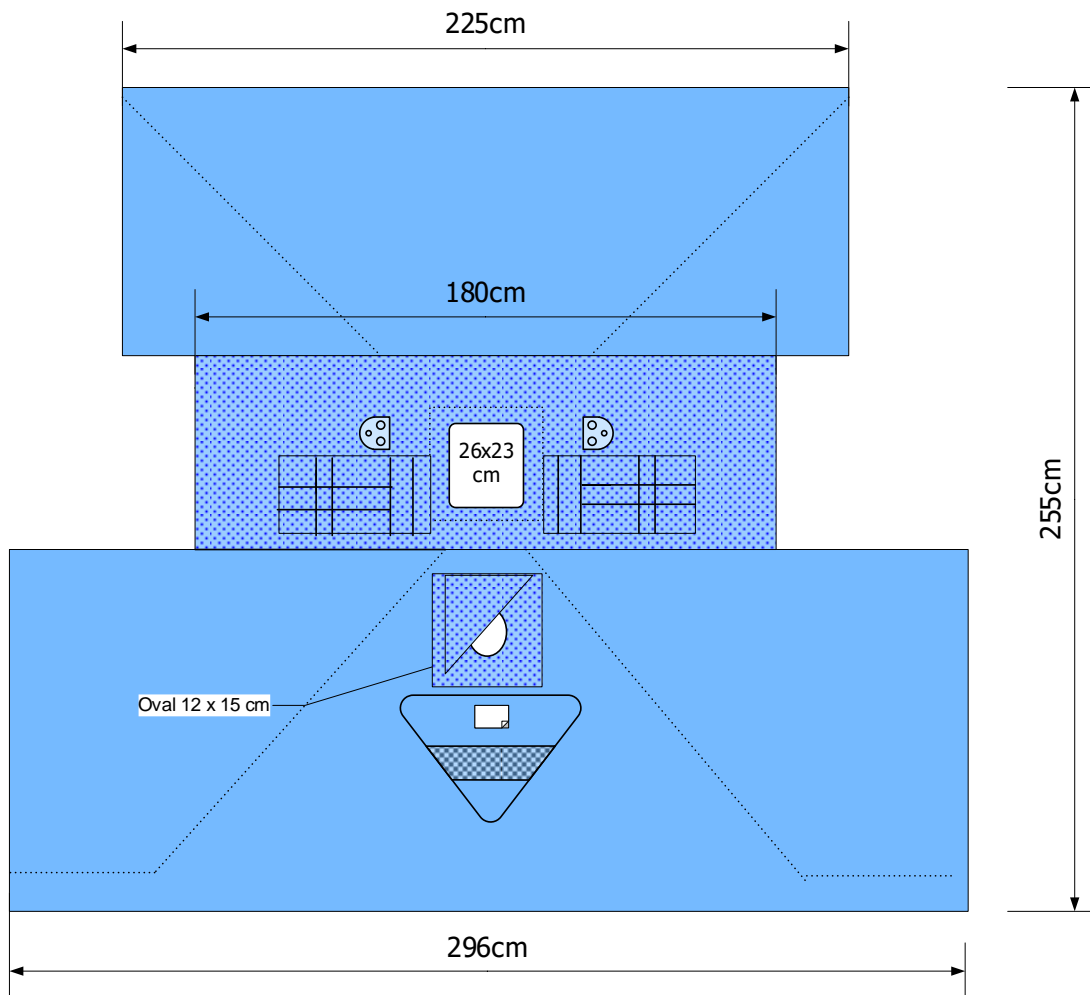
● 3-layer ● 2-layer ○ Incision film



● 2-layer ○ Incision film

	Material	Dimensions	Fenestration size	Reference number	Order number sterile
1	2/3 layer material	280x296/180/225cm	45x35cm (35 x 25cm)	1303788	111466AA
2	2-layer material	280x296/180/225cm	35x30cm (25 x 20cm)	1304872	116670AA
Abdominal fenestration with incision film 5cm edge					
Gynaecology fenestration oval 12 x 15cm, with cover					
Fluid collection bag, 2 tube holders					
2 fluid collection bags on sides of abdominal fenestration					

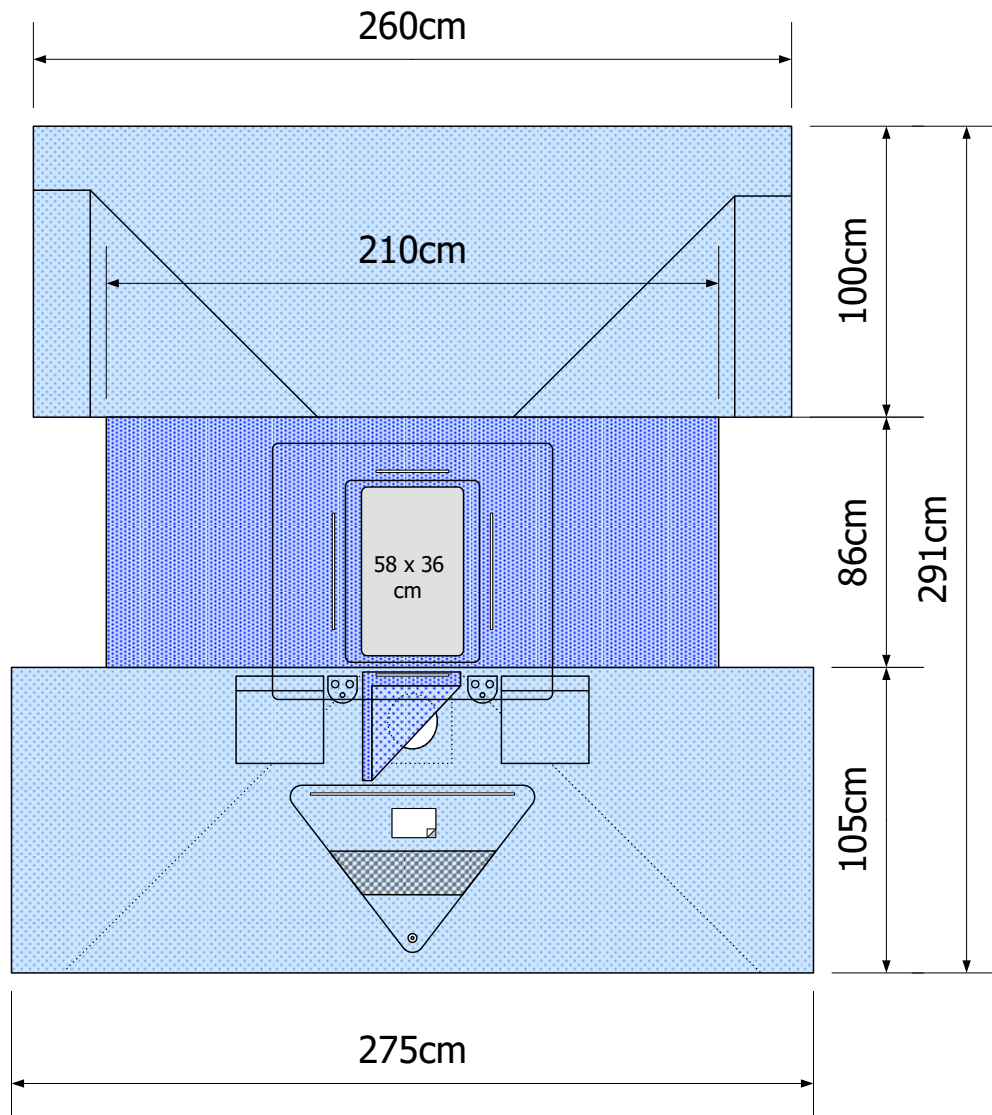
6.3.3 Gyn/lap drape 255 x 296/180/225 cm with fenestration 26 x 23cm



● 3-layer ● 2-layer

Material	Dimensions	Reference number	Order number sterile
2/3-layer material	255 x 296/180/225cm	1303099	108165AA
Abdominal fenestration 26 x 23cm			
Gynecology fenestration oval 12 x 15cm, with cover cloth			
2x hose holder			
Fluid collection bag with filter			
2x diathermia bags extra long			

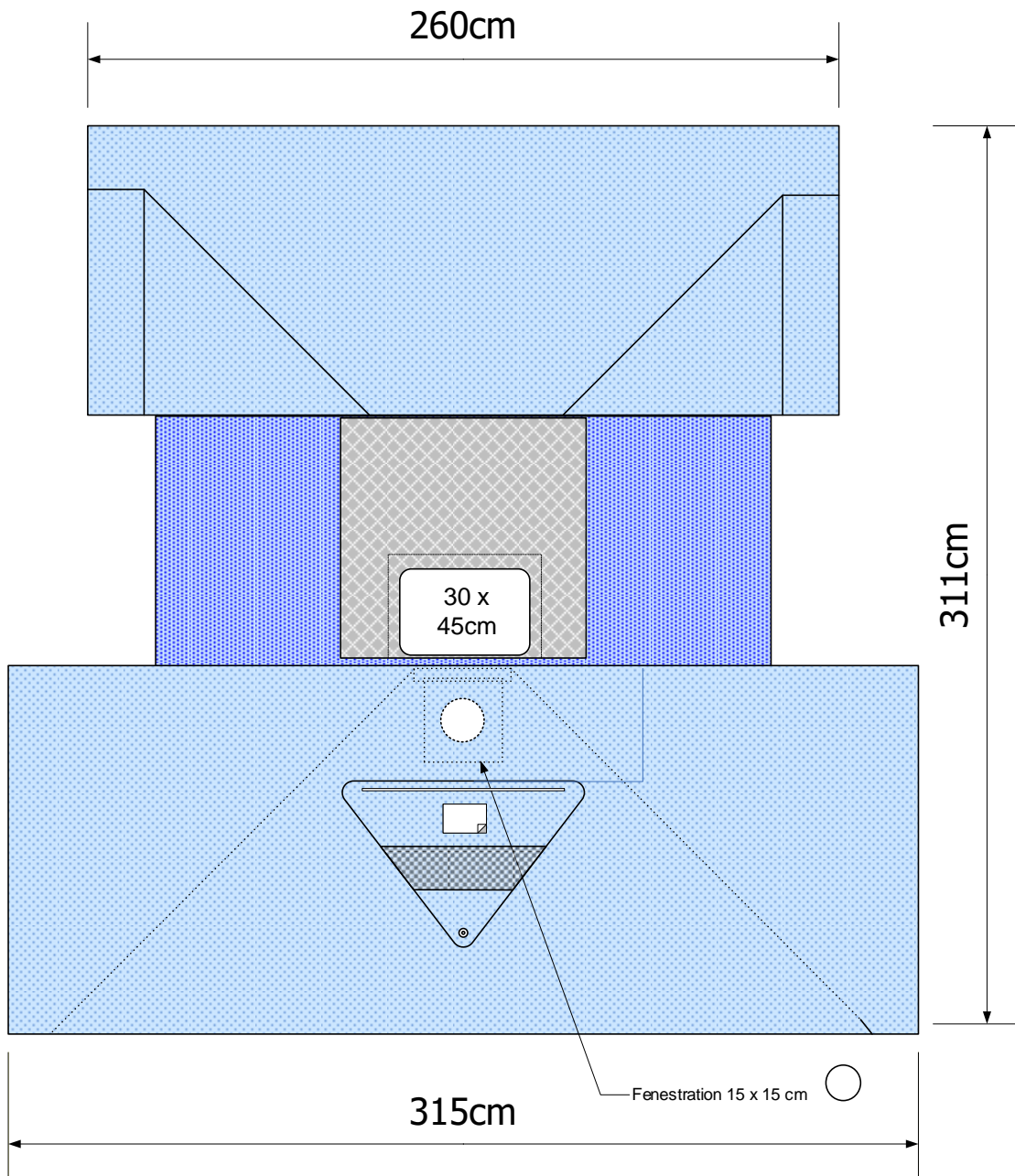
6.3.4 Gyn/lap drape (**HIPEC**) 291x275/210/260cm with fenestration 58 x 36cm



● 3-layer ● 2-layer ○ Incision film

Material	Dimensions	Reference number	Order number sterile
2/3 ply + INC	291 x 275/210/260cm	1302182	103502AA
Abdominal fenestration 58 x 36cm with full incision film			
Gynecology fenestration oval 19 x 17cm, with cover			
Fluid collection bag			
2x diathermia bags 30 x 30cm			

6.3.5 Gyn/lap drape (**ROBOT**), 311 x 315/210/260cm with fenestration 30 x 45cm

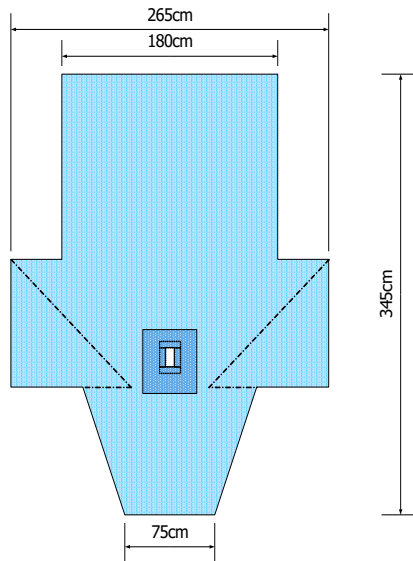


3-layer
 2-layer
 Absorbent material

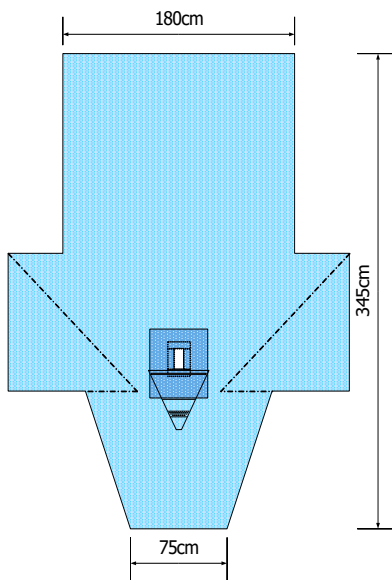
Material	Dimensions	Reference number	Order number sterile
2/3 ply	311 x 315/210/260cm	1302906	107307AA
Abdominal fenestration 30 x 45cm			
Gynaecology fenestration Ø 15cm			
Fluid collection bag			

6.4 Gynaecology- Urology drapes

6.4.1 Gyn-Uro sheet, SMS, 345 x 75/265/180cm



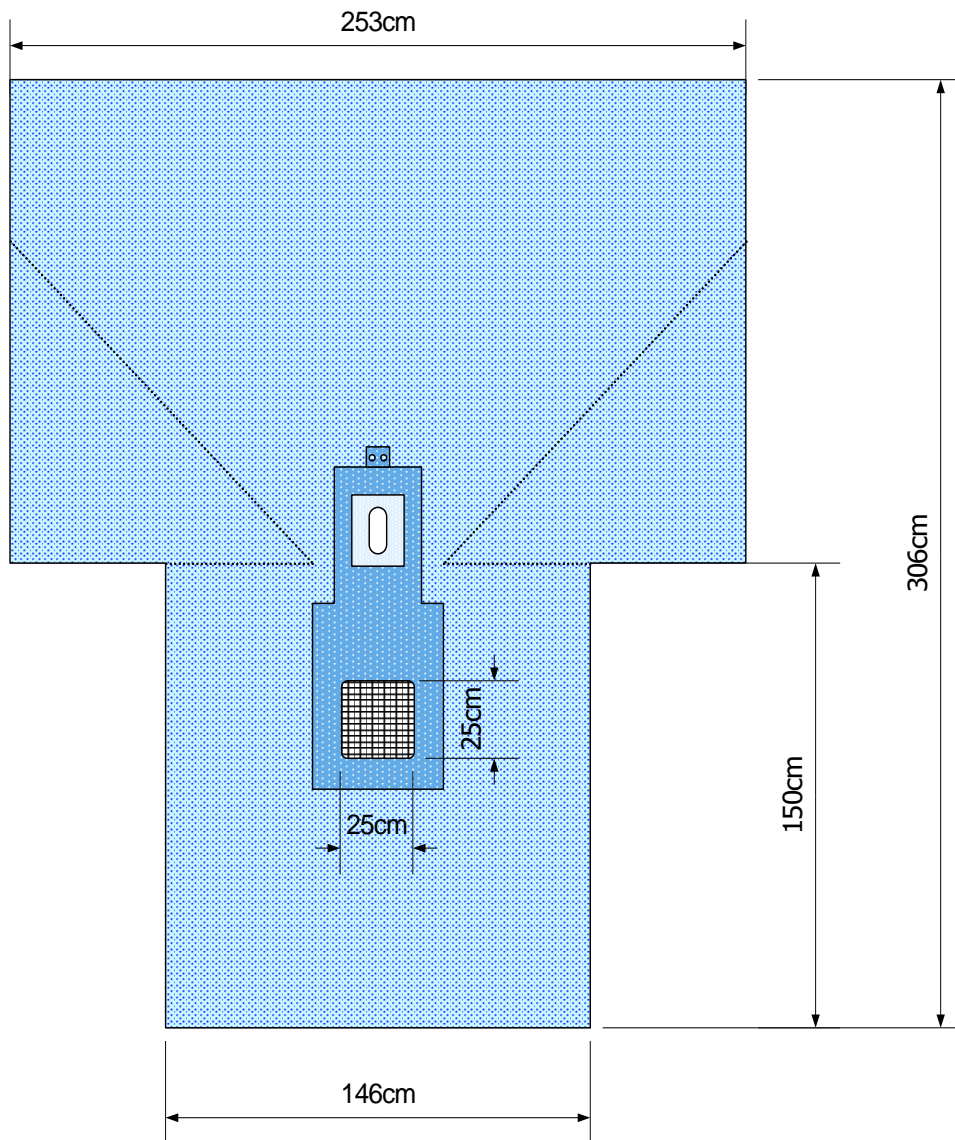
● SMS ● PSB3030





● SMS ● PSB3030

Material	Dimensions	Fenestration	Reference number	Order number sterile
SMS	345 x 75/265/180cm	15 x 7.5 cm	1301932	tbd
SMS	345 x 75/265/180cm	15 x 7.5cm WITH bag	<u>1302746</u>	106850AA
Reinforced absorbent area 50 x 45cm				
Tape around fenestration				

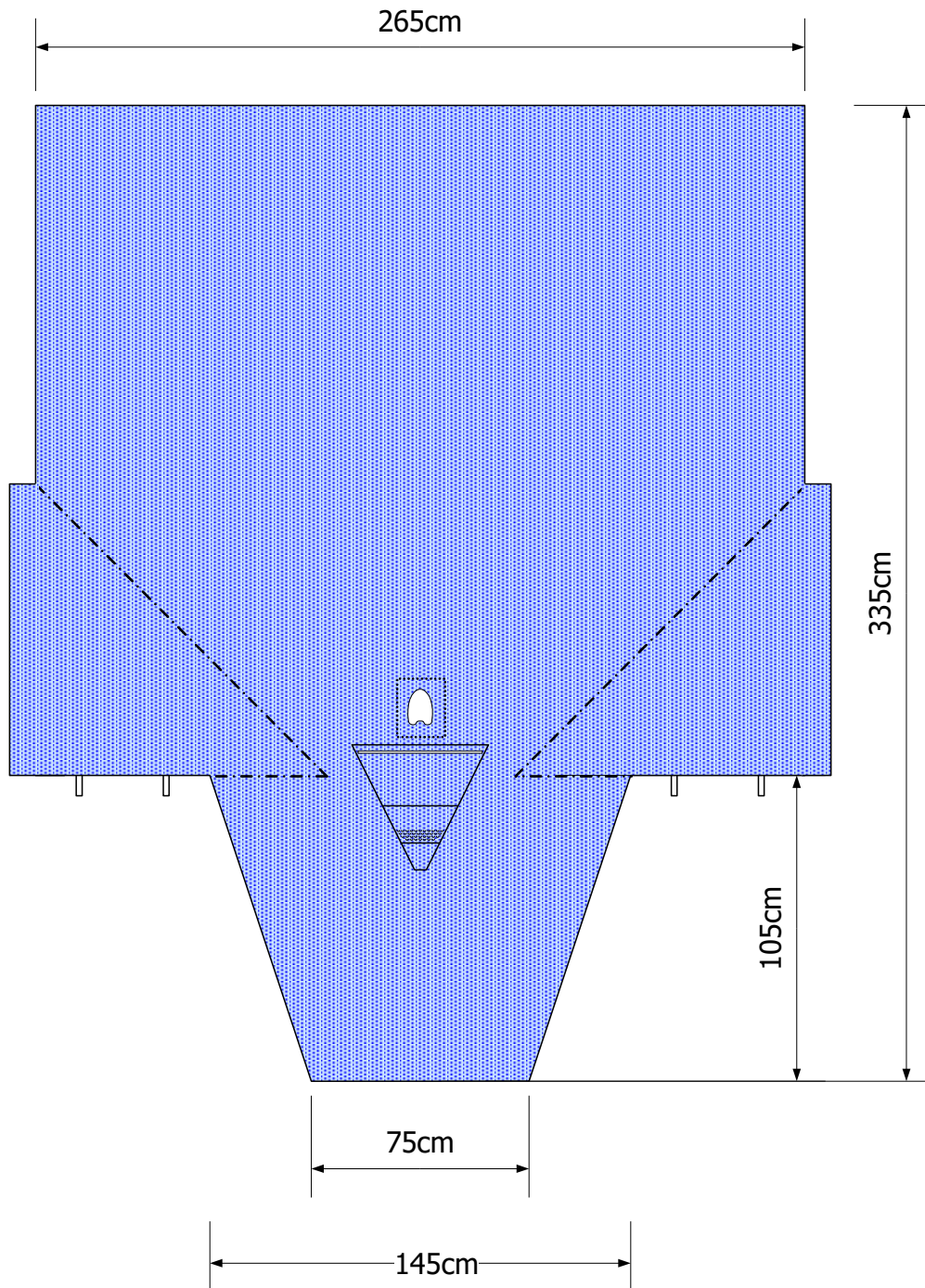
6.4.2 Gyn-Uro sheet, SMS, 345 x 75/265/180cm with fluid collection bag



 Prestico®  absorption

Material	Dimensions	Fenestration	Reference number	Order number sterile
Prestico	306 x 146/253cm	15x6cm	1302633	Ntb
Reinforced absorbent area 104 x 30cm + tube holder				
Sieve (tulle) 25 x 25cm				

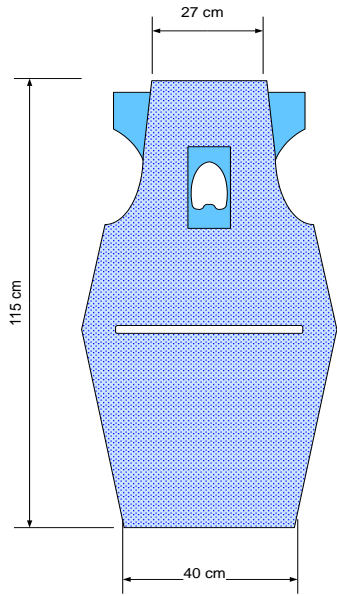
6.4.3 Gyn-Uro sheet, 3-layer, 335 x 75/265cm, with fluid collection bag



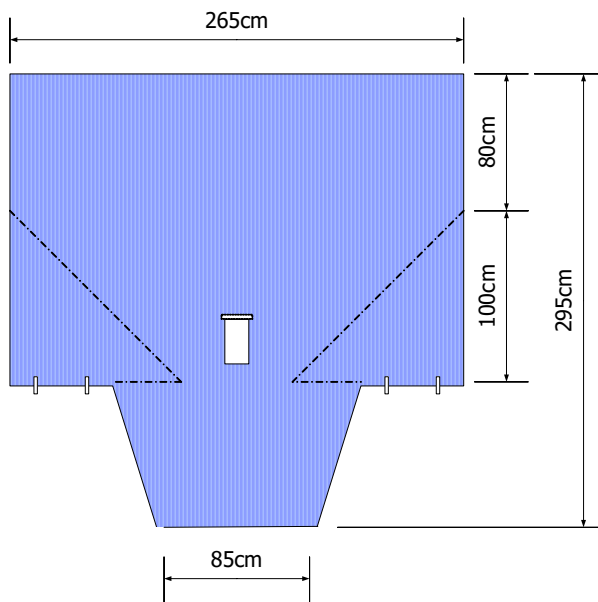
● 3-layer

Material	Dimensions	Reference number	Order number sterile
3-layer	335 x 75/265cm	1302658	106550AA
Fenestration , heart shaped, 17 x 12cm			
Fluid collection bag with filter			
Leg cover with 4x tape			

6.4.4 Gyn-Uro drape, 2-layer material



● 2-layer ● PE Film

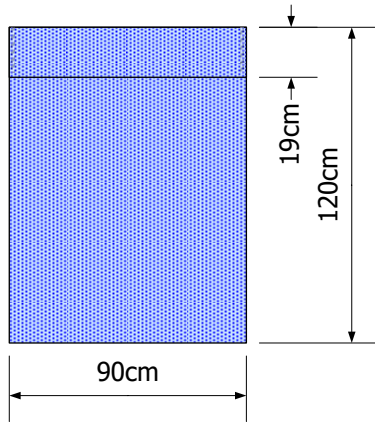


● 2-layer

	Material	Dimensions	Fenestration	Reference number	Order number sterile
1	2-layer material	115 x 60cm	Heart shaped 30 x 20cm	1302128	104538AA
2	2-layer material	295 x 85/265cm	26 x 14cm	1302127	104537AA
Cover completely: first 1302127 then 1302128 sterile number 106072AA					

6.5 Under buttock drapes

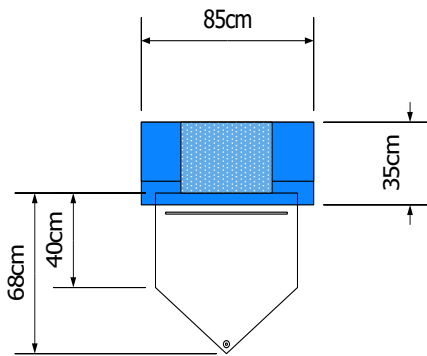
6.5.1 Under buttock drape 120 x 90cm



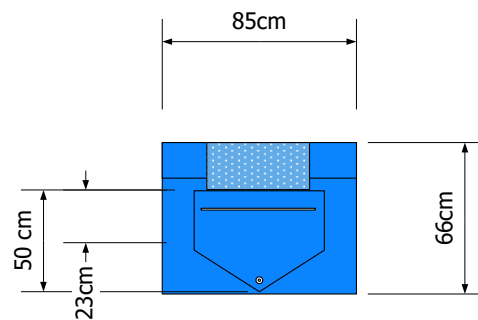
● 3-layer

Material	Dimensions	Reference number	Order number sterile
3-layer	120x90 cm	1301924	115661AA

6.5.2 Under buttock drape, 35 x 85 cm, PE film with fluid collection bag



● PE/blue ● PSB3030

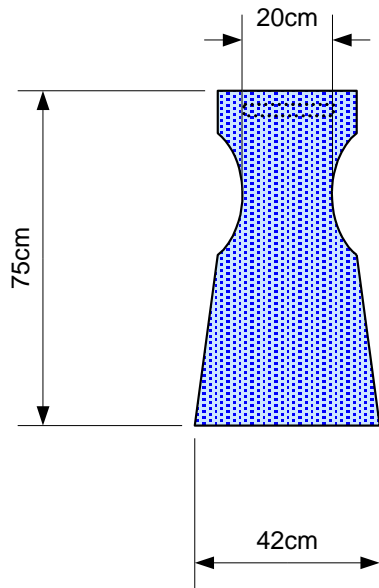


● PE/blue ● PSB3030

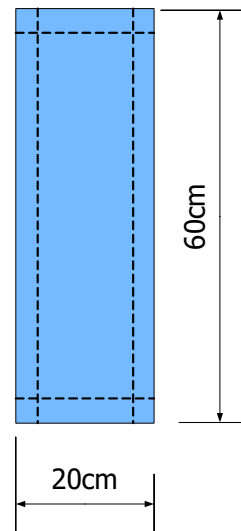
Material	Dimensions	Reference number	Order number sterile
PE/blue	35x85 cm	1302650	106498AA
PE/blue	66 x 85 cm	1303971	114314AA
Absorbent area + fluid collection bag			

6.6 Between leg drapes

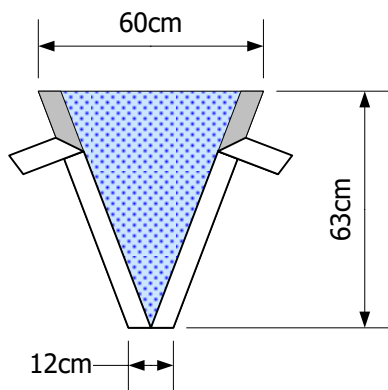
6.6.1 Peri anal drape



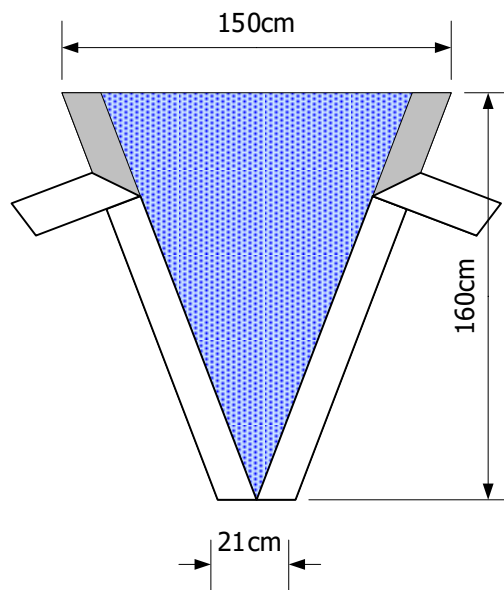
● 3-layer material



● 3-layer material



● 3-layer material

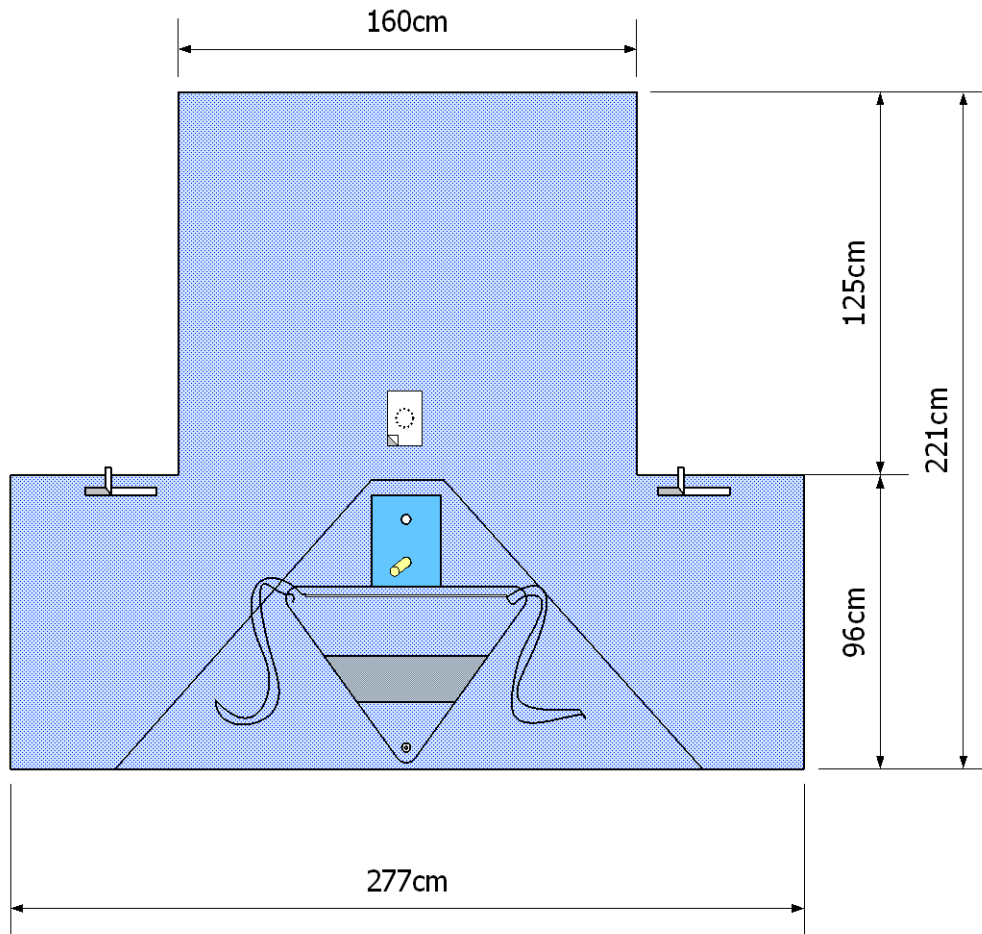


● 3-layer material

Material	Dimensions	Reference number	Order number sterile
3-layer material	75 x 42cm	1307299	104388AA
3-layer material	60 x 20cm	1303776	111337AA
3-layer material	63 x 60cm, 2.5cm tape	1302844	112235AA
3-layer material	160 x 150cm, 5cm tape	1307648	tbd

6.7 TUR drapes

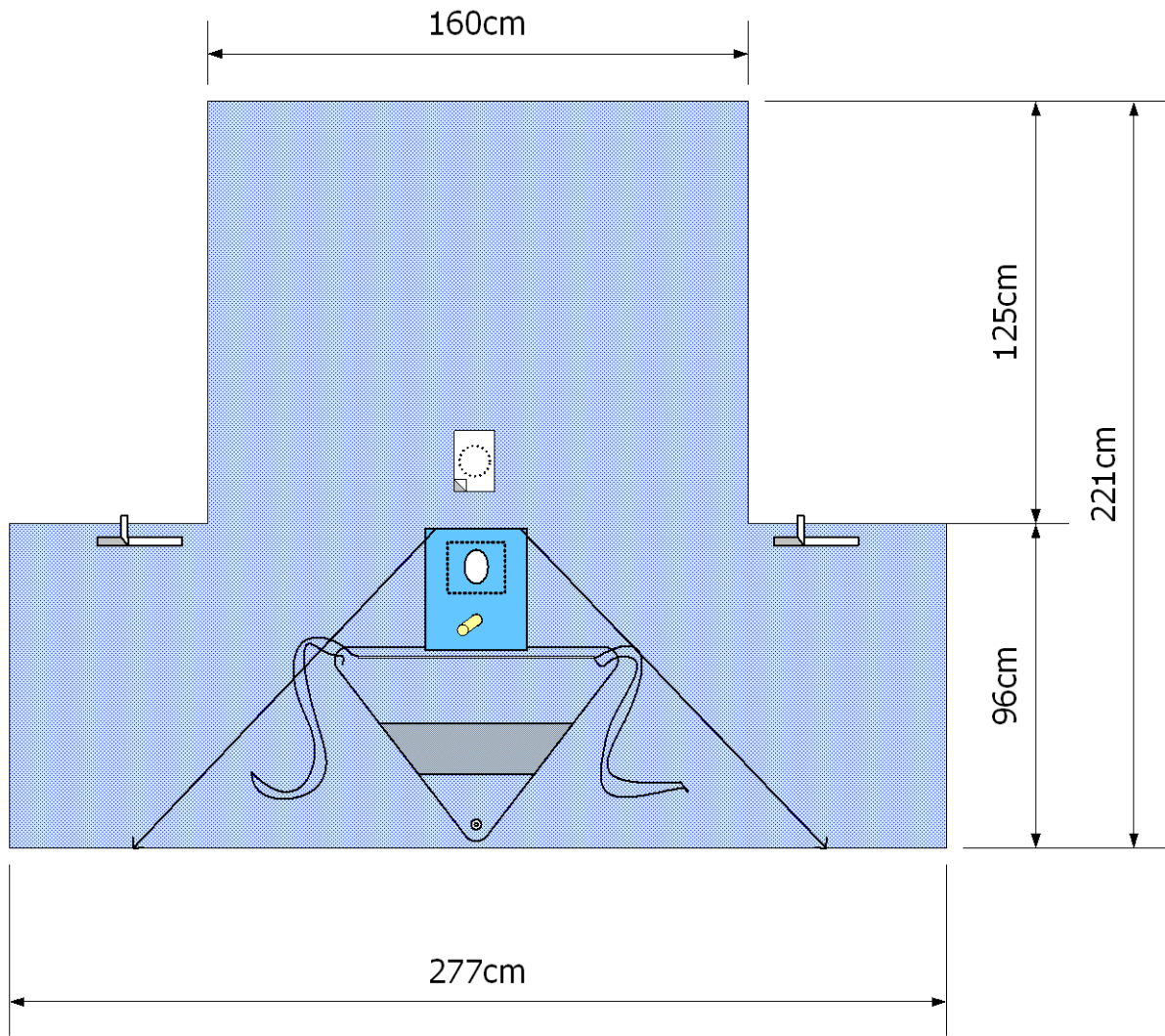
6.7.1 TUR drape, 2-layer, 221 x 277/160cm with fluid collection bag



● 2-layer ● Polyethylene film

Material	Dimensions	Reference number	Order number sterile
2-layer	221 x 277/160cm	1302399	106246AA
2-layer HCD	221 x 277/160cm	1304918	117936AA
Triangular fluid collection bag with ribbons			
Supra pubis fenestration Ø 9cm with tape zone of 12 x 18cm			
Fenestration in PE (36 x 30cm) with Ø 5cm and latex-free condom			
Leg covers			

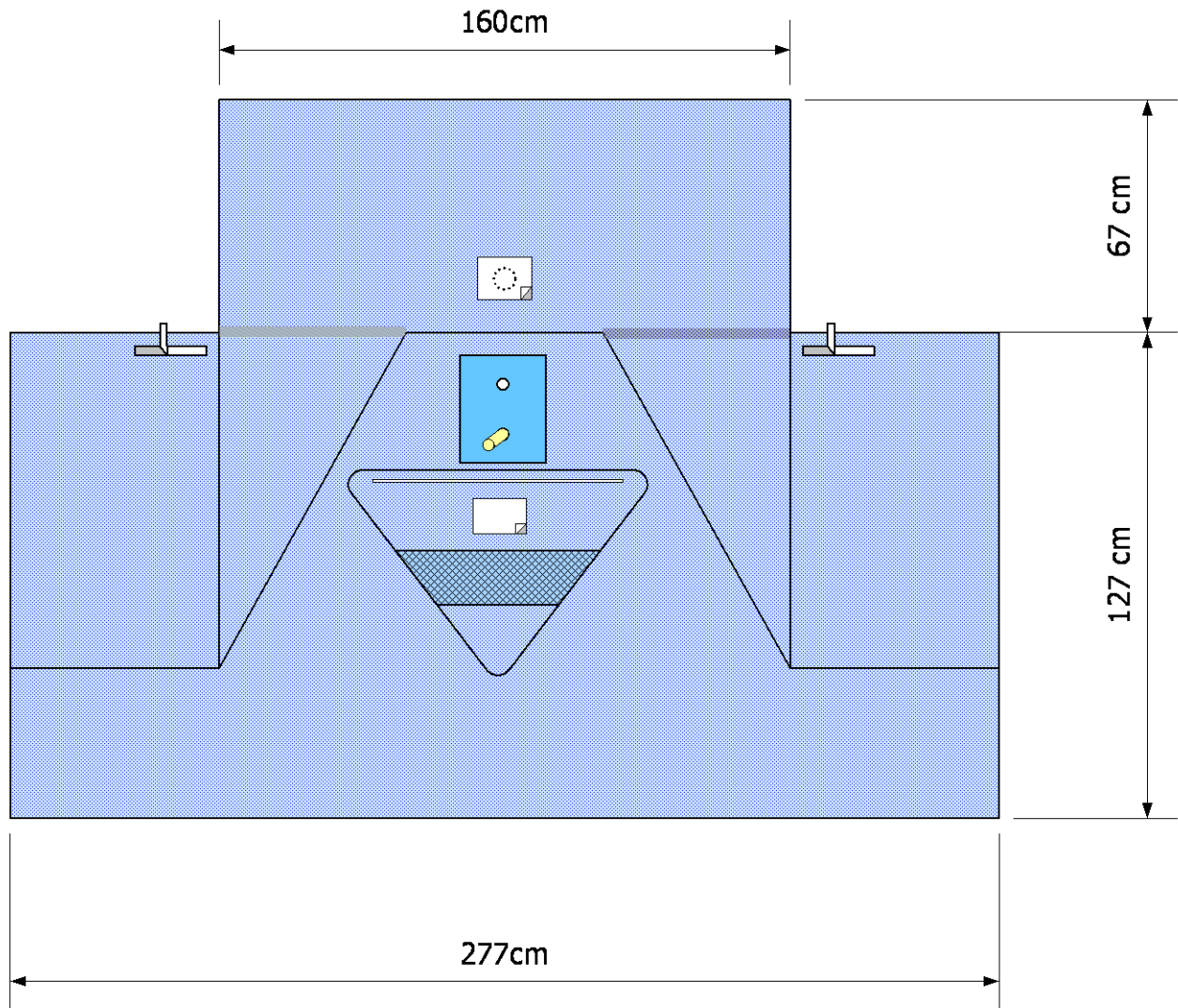
6.7.2 TUR drape, 2-layer, 221 x 277/160cm with fluid collection bag



● 2-layer ● Polyethylene film

Material	Dimensions	Reference number	Order number sterile
2-layer	221 x 277/160cm	1303688	112296AA
Triangular fluid collection bag with ribbons			
Supra pubis fenestration Ø 9cm with tape 12 x 18cm			
Fenestration in PE (36 x 30cm) with Ø 10x7cm oval + tape and latex-free condom			
Leg covers			

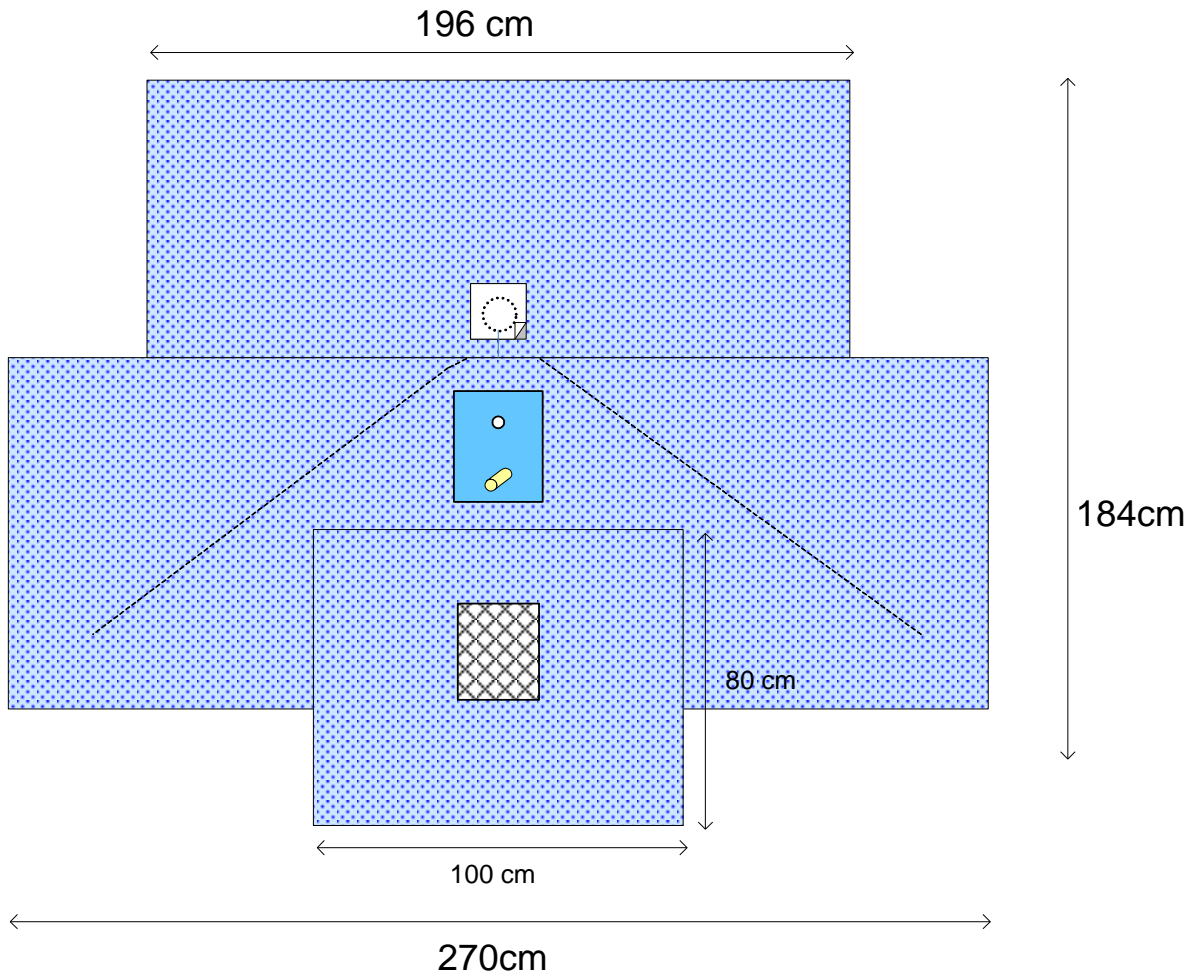
6.7.3 TUR drape, 2-layer, 194 x 277/160cm with fluid collection bag



2-layer
 Polyethylene film

Material	Dimensions	Reference number	Order number sterile
2-layer	194 x 277/160cm	1302382	105256AA
Supra pubis fenestration Ø 9cm with tape zone of 12 x 18cm			
Fenestration in polyethylene Ø 5cm and latex-free condom			
Fluid collection bag with strainer			
Leg covers			

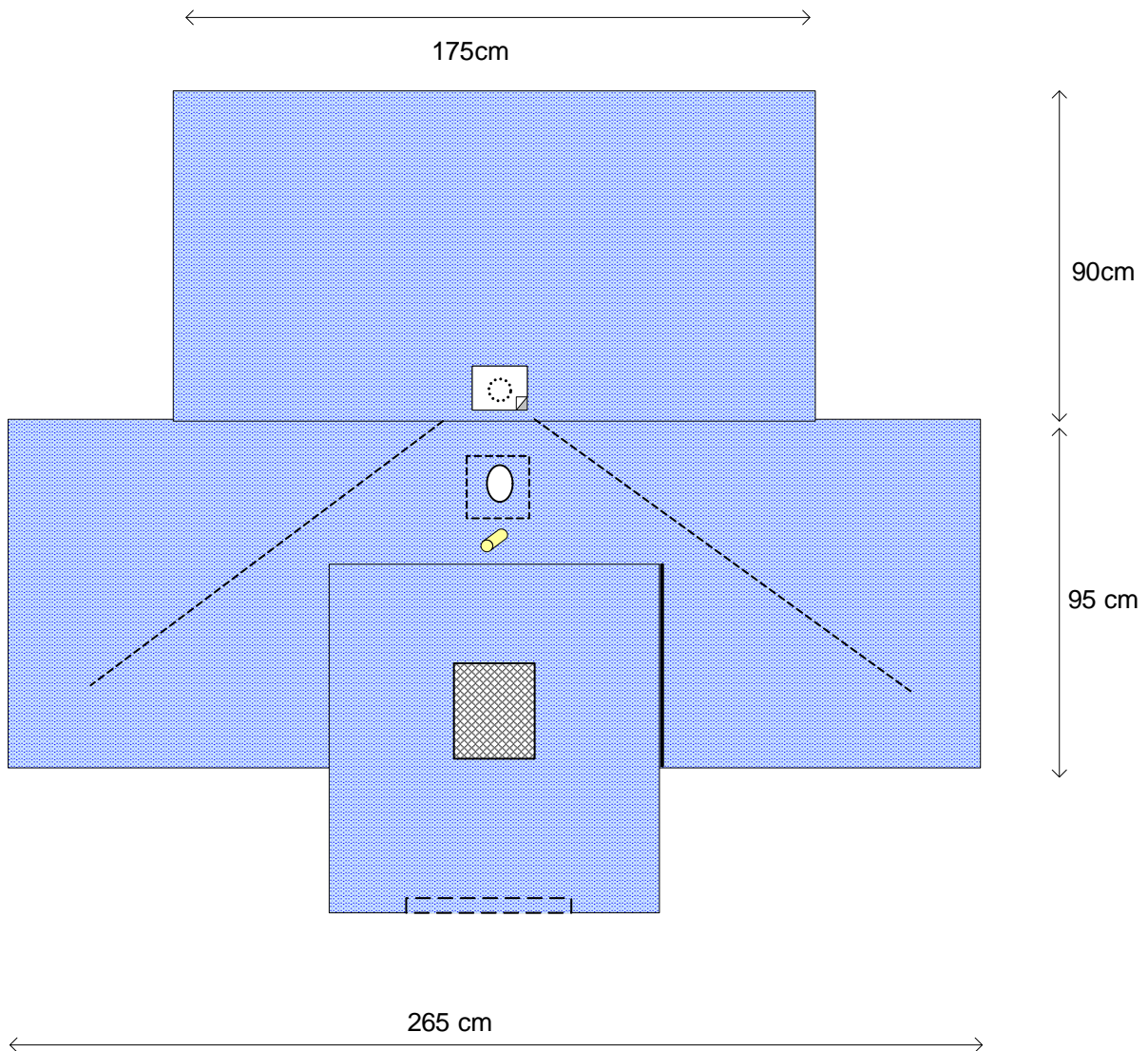
6.7.4 TUR drape, 2-layer, 184 x 270/196cm with sieve



 2-layer
  Polyethylene film

Material	Dimensions	Reference number	Order number sterile	Material sieve
2-layer	184 x 270/196cm	1303456	109974AA	Non-woven
2-layer	184 x 270/196cm	1302566	106244AA	Tulle
Sieve 26 x 22cm				
Fenestration Ø9cm with tape zone 12 x 18cm				
Fenestration in polyethylene Ø5cm and latex-free condom				
Leg covers				

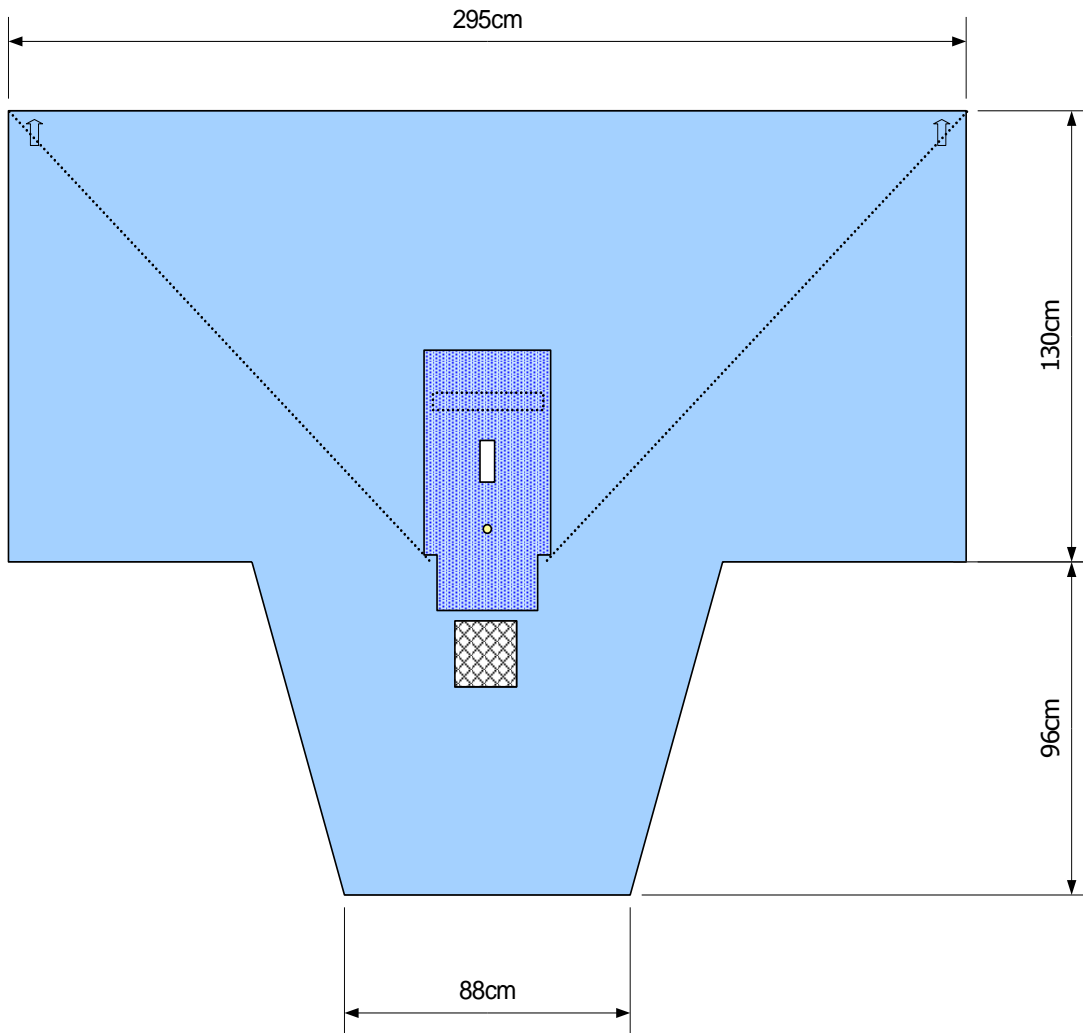
6.7.5 TUR drape, 2-layer, 226 x 88/295cm with sieve



2-layer

Material	Dimensions	Reference number	Order number sterile	Material sieve
2-layer	185 x 265/175cm	1304223	114198AA	Non-woven
Sieve 26 x 22cm				
Oval fenestration 10 x 7 cm with tape				
Supra pubis fenestration Ø7 cm and latex free condom				
Leg covers				

6.7.6 TUR drape, ALWL, 226 x 88/295cm with sieve

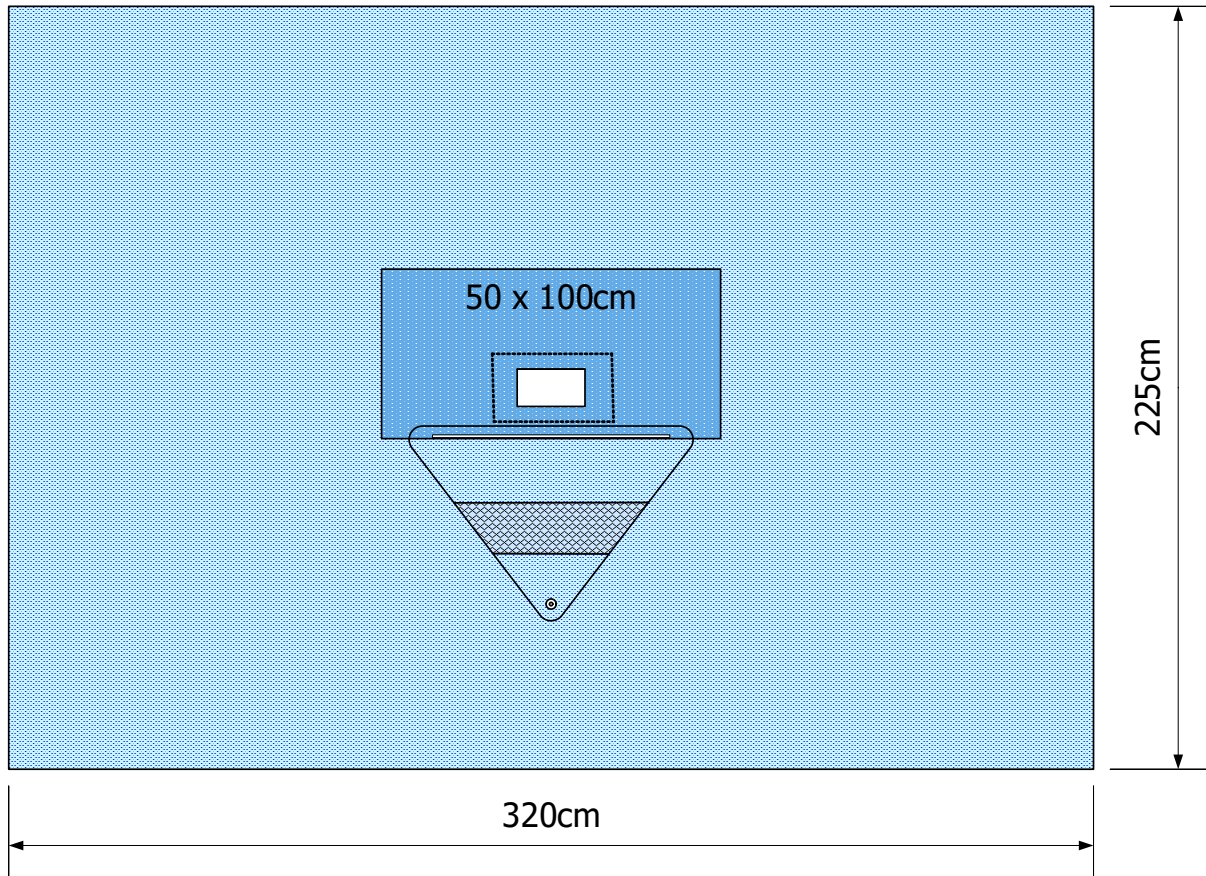


● Airlaid/Wetlaid ● 3-layer absorbent material

Material	Dimensions	Reference number	Order number sterile
ALWL	226 x 88/295cm	1301584	103492AA
3-layer absorbent area 75 x 39cm			
Fenestration 12 x 4.5cm and latex free finger condom			
Leg covers			
Sieve 19 x 19cm (Tulle)			

6.8 Other urology drapes

6.8.1 Nephroscopy drape



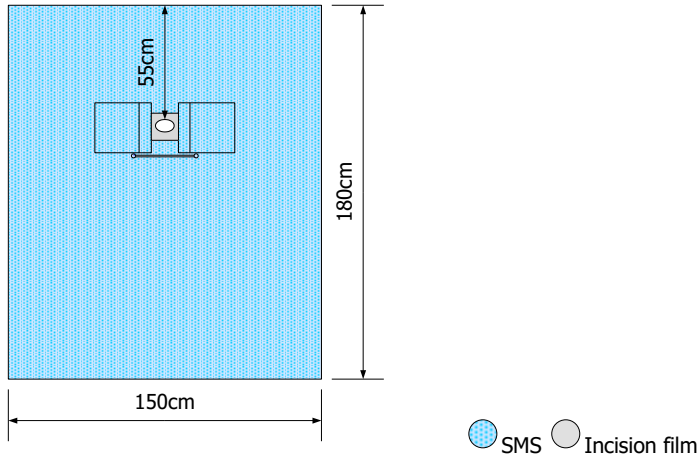
 SMS
  Absorbent material

Material	Dimensions	Reference number	Order number sterile
SMS	225 x 320cm	1302484	106247AA
Fenestration 11 x 20cm with tape (no incision film)			
Fluid collection bag with sieve			
Absorbent area 50 x 100cm			

7 Ophthalmology

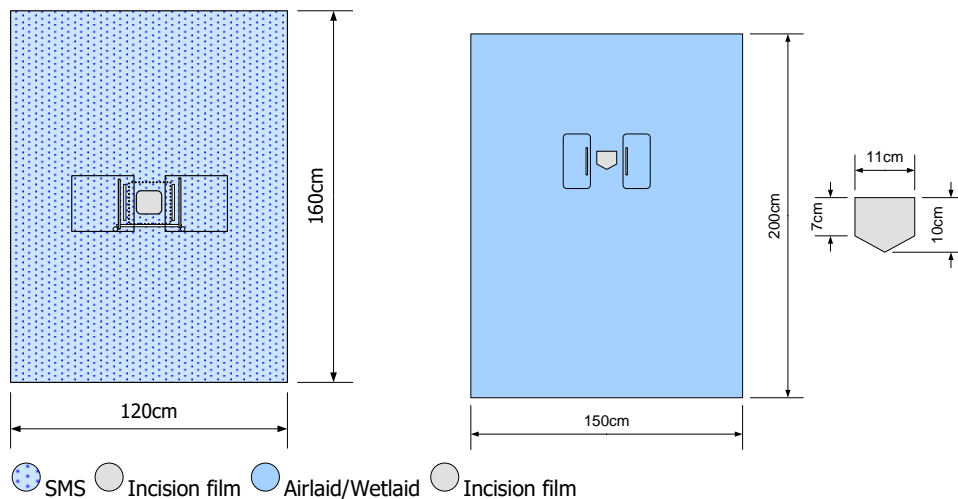
7.1 Eye drapes with 2 fluid collection bags

7.1.1 Eye Drapes with Open Incision Film with Oval Fenestration



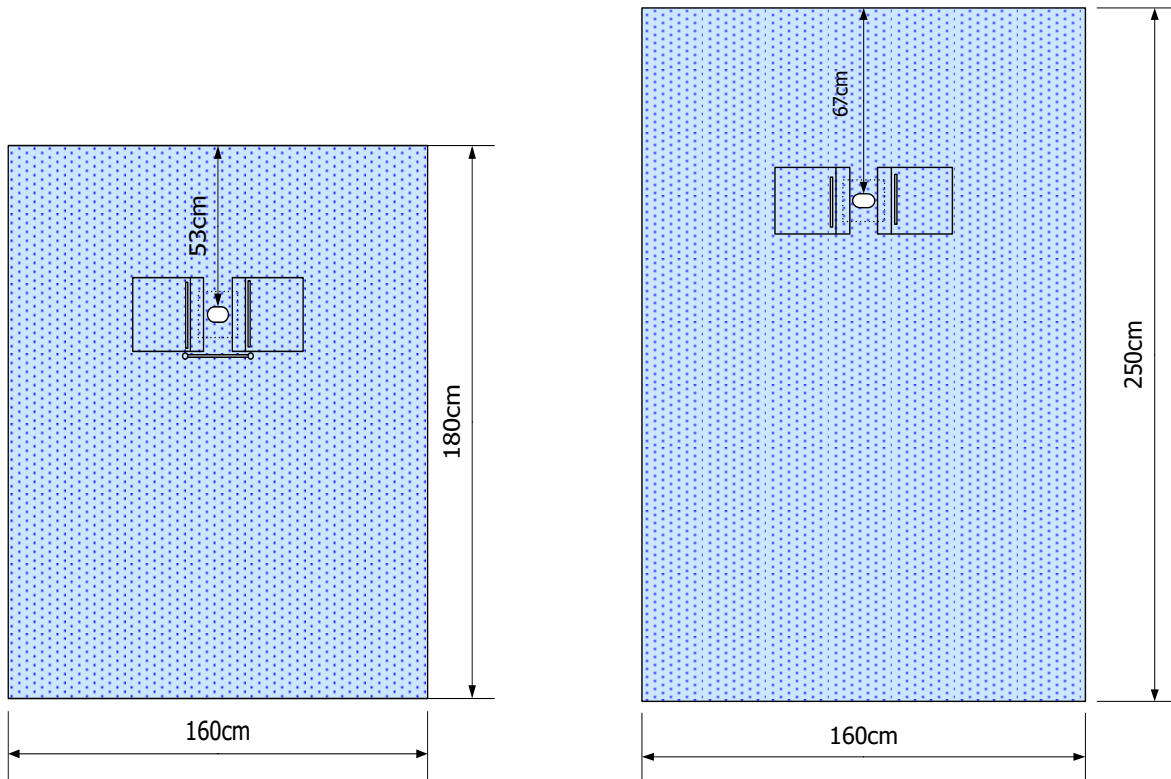
Material	Dimensions	Reference number	Order number sterile
SMS	180 x 150cm	1302235	106248AA
Incision film 13 x 13cm with oval fenestration 6 x 9cm			
2 fluid collection bags without flexwires			
Nose bridge (flexwire)			

7.1.2 Eye drape with closed incision film



Material	Dimensions	Reference number	Fenestration	Order number sterile
SMS	160 x 120cm	1301725	10 x 11cm	109760AA
ALWL	200 x 150cm	1306950	10 x 11 x 7cm	103646AA
Full incision film				
2 fluid collection bags 24 x 27cm with flexwires				
Nose bridge (flexwire)				

7.1.3 Eye Drapes without incision film with oval fenestration



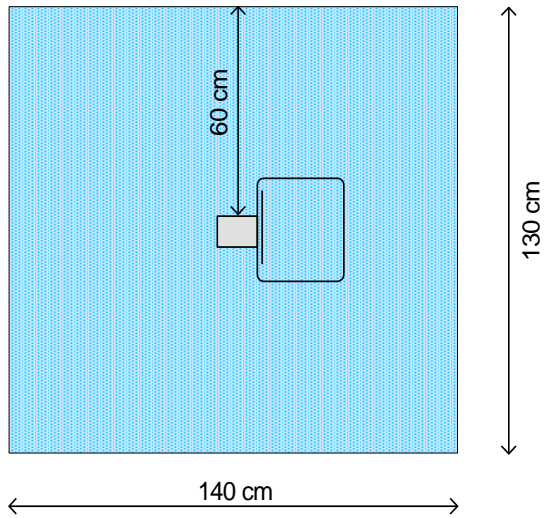
 SMS

 SMS

Material	Dimensions	Reference number	Order number sterile
SMS	180 x 160cm	1301995	104772AA
SMS	250 x 160cm	1301985	110030AA
Oval fenestration 5 x 8cm, tape 15 x 15cm			
2 fluid collection bags 24 x 27cm with flexwires			
1301995 incl. nose bridge (flexwire) 25cm			

7.2 Eye drapes with 1 fluid collection bag

7.2.1 Eye drape with incision film with (rectangular) fenestration

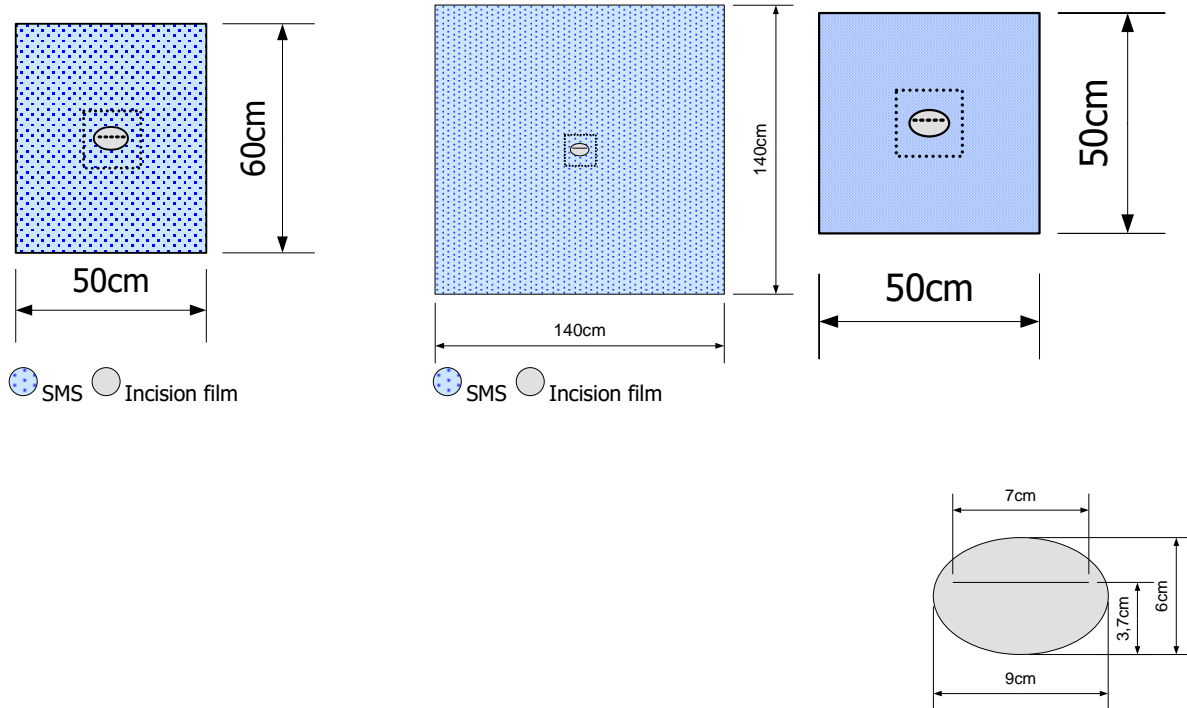


SMS Incision film
 Spunlace Incision film

Material	Dimensions	Fenestration	Reference number	Order number sterile
SMS	130 x 140cm	9 x 12.5 cm	1303107	108255AA
Rectangular fenestration with incision film				
1 fluid collection bag 30 x 27cm				

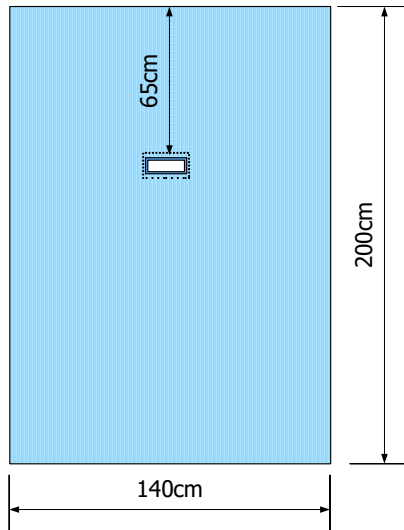
7.3 Other eye drapes (without collection bag)

7.3.1 Eye drape with oval fenestration (incision film with die-cut)



Material	Dimensions	Reference number	Order number sterile
2-layer material	60 x 50cm	1307133	108025AA
SMS	140 x 140cm	1304116	tbd
SMS	50 x 50cm	1304040	tbd
Oval fenestration 6 x 9cm			
Incision film with die-cut 7cm			

7.3.1 Eye drape with narrow fenestration and absorption area
(Strabismus)



Material	Dimensions	Reference number	Order number sterile
SMS	200 x 140cm	1307506	tbd
Small tape strip 2.5cm			
Fenestration 5 x 16cm, (abs area 7 x 18cm)			

7.3.2 Various fenestration drapes can also be used as eye drapes.

1301993, fenestration drape, SMS, 160 x 120cm, oval fenestration 6 x 9cm, no incision film
 (see page 35)

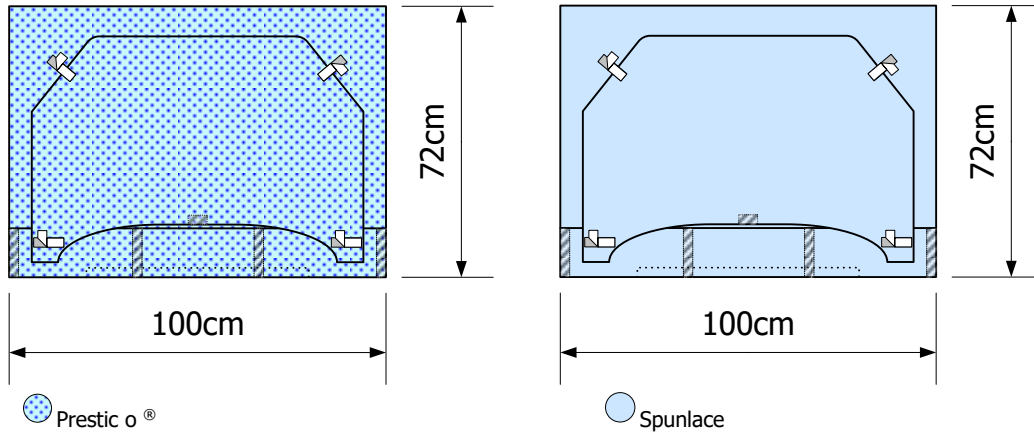
1302124, fenestration drape, SMS, 80 x 80cm, square fenestration 10 x 10cm, with incision film
 (see page 36)

1307241, fenestration drape, 3-ply, 140 x 100cm, oval fenestration 5 x 7cm, no incision film (see page 38)

8. ENT (Ear, Nose, Throat)

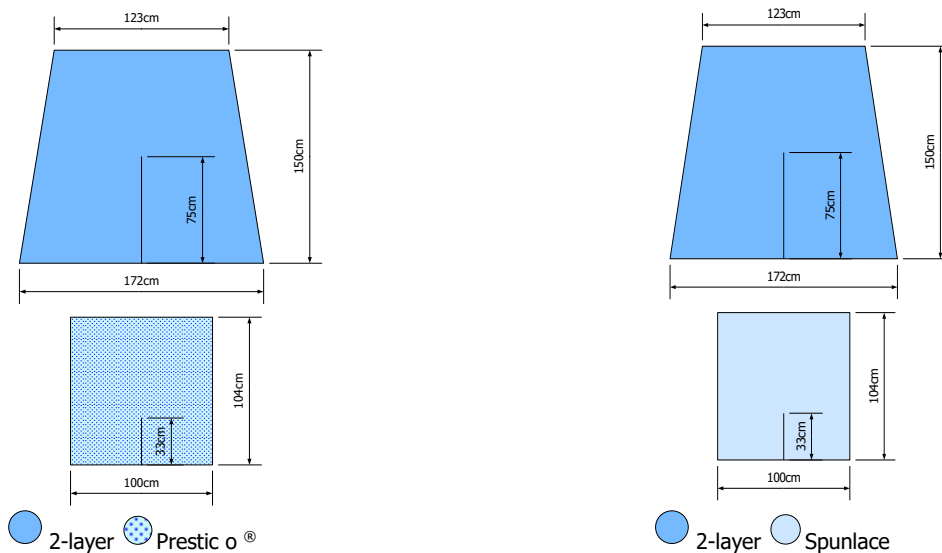
8.1 Head drapes

8.1.1 Turban head sheet



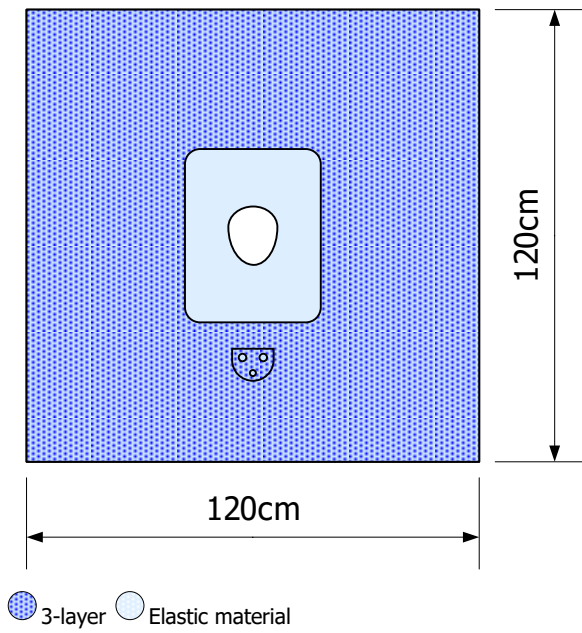
Material	Dimensions	Reference number	Order number sterile
Prestico®	72 x 100cm	1302480	106252AA
Spunlace	72 x 100cm	1306965	117061AA (was 103679AA)
Tape 2.5cm			

8.1.2 Head drape 2-parts



Material	Dimensions	Reference number	Order number sterile
2-layer/ Prestico®	150 x 172cm / 104 x 100cm	1302482	106253AA
2-ply/ Spunlace	150 x 172cm / 104 x 100cm	1302290	105336AA

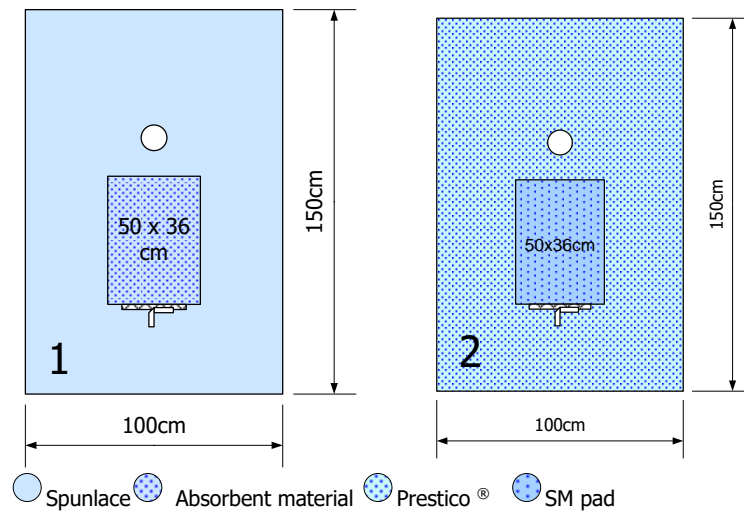
8.2 Facial drapes



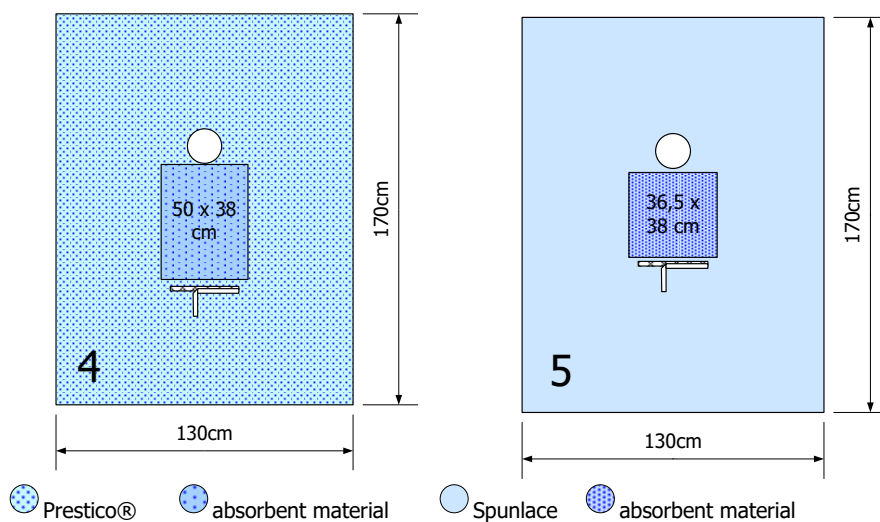
Material	Dimensions	Reference number	Order number sterile
3-layer	120 x 120cm, Ø 15cm	1301961	117066AA (was 103847AA)
2-layer HCD	120 x 120cm, Ø 15cm	1304917	116855AA

8.3 Dental drapes

8.3.1 Dental drapes with round fenestration

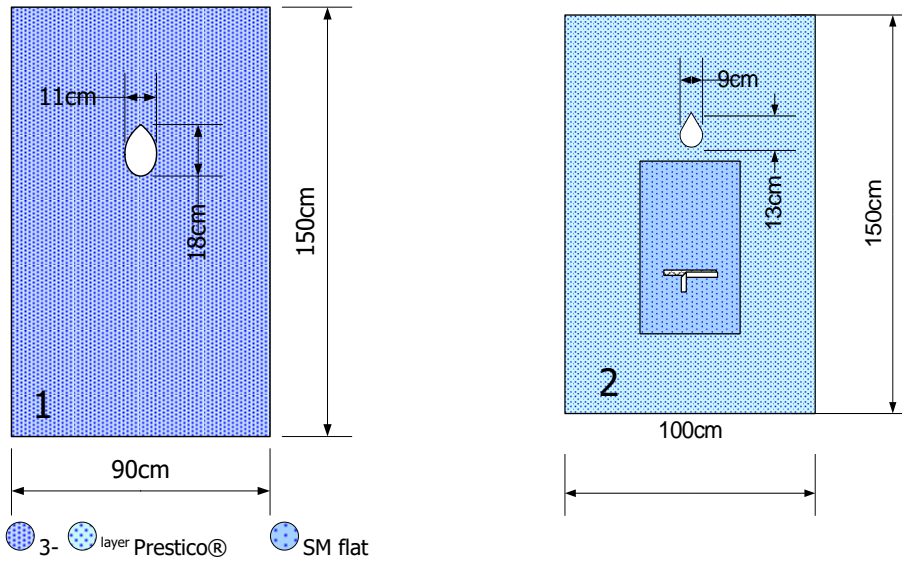


	Material	Dimensions	Fenestration	Reference number	Order number sterile
1	Spunlace	150 x 100cm	Ø 10cm	1301359	103496AA
2	Prestico®	150 x 100cm	Ø 10cm	1302483	106194AA
Fenestration with absorbent area 50 x 36cm					
Velcro 25 x 2cm					



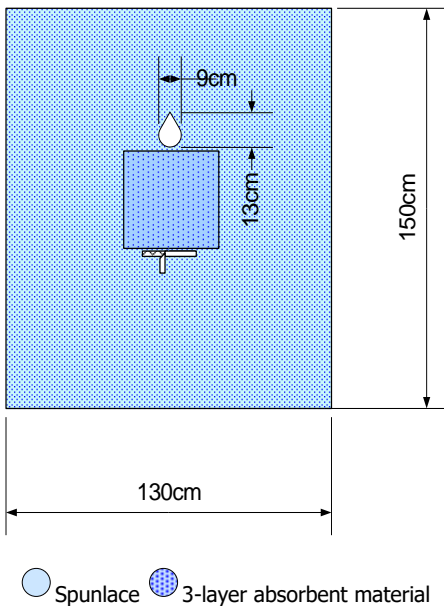
	Material	Dimensions	Fenestration	Reference number	Order number sterile
4	Prestico®	170 x 130cm	Ø 15cm	1302486	106195AA
5	Spunlace	170 x 130cm	Ø 15cm	1301295	117041AA (was 103497AA)
Fenestration Ø 15cm, absorbent area 36.5 x 38cm					
Velcro 25 x 2cm					

8.3.2 Dental drapes with teardrop fenestration



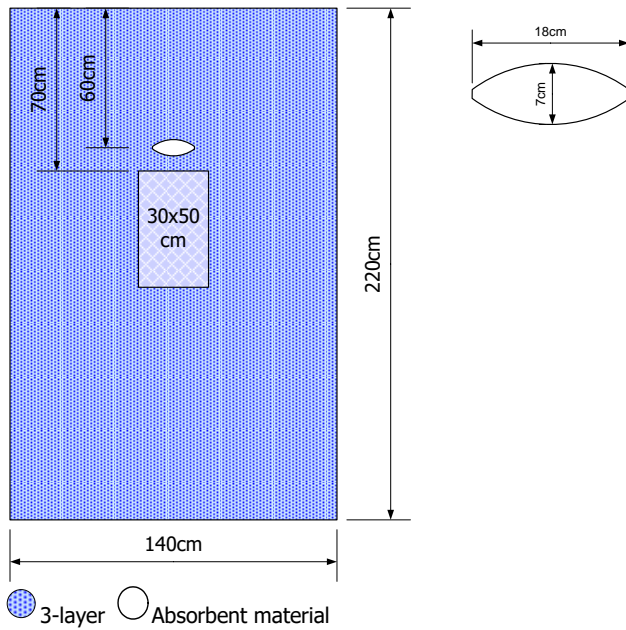
	Material	Dimensions	Reference number	Fenestration dimensions	Order number sterile	Order number unsterile
1	3-layer	150 x 90cm	1302425	18x11cm	103647AA	
2*	Prestico®	150 x 100cm	1302776	13 x 9 cm	108024AA	06677
2*	Prestico®	150 x 100cm	1304035**	13 x 9 cm	tbd	

* with reinforced area 65 x 40cm + velcro 25 x 2cm
 ** 1304035 has a different folding method than 1302776, everything else is the same



Material	Dimensions	Reference number	Order number sterile
Spunlace	150 x 130cm	1302896	107691AA
Tear drop-shaped fenestration 13 x 9cm			
Absorbent area 36.5 x 38cm, velcro 25 x 2cm			

8.3.3 Dental drapes with fenestration , various



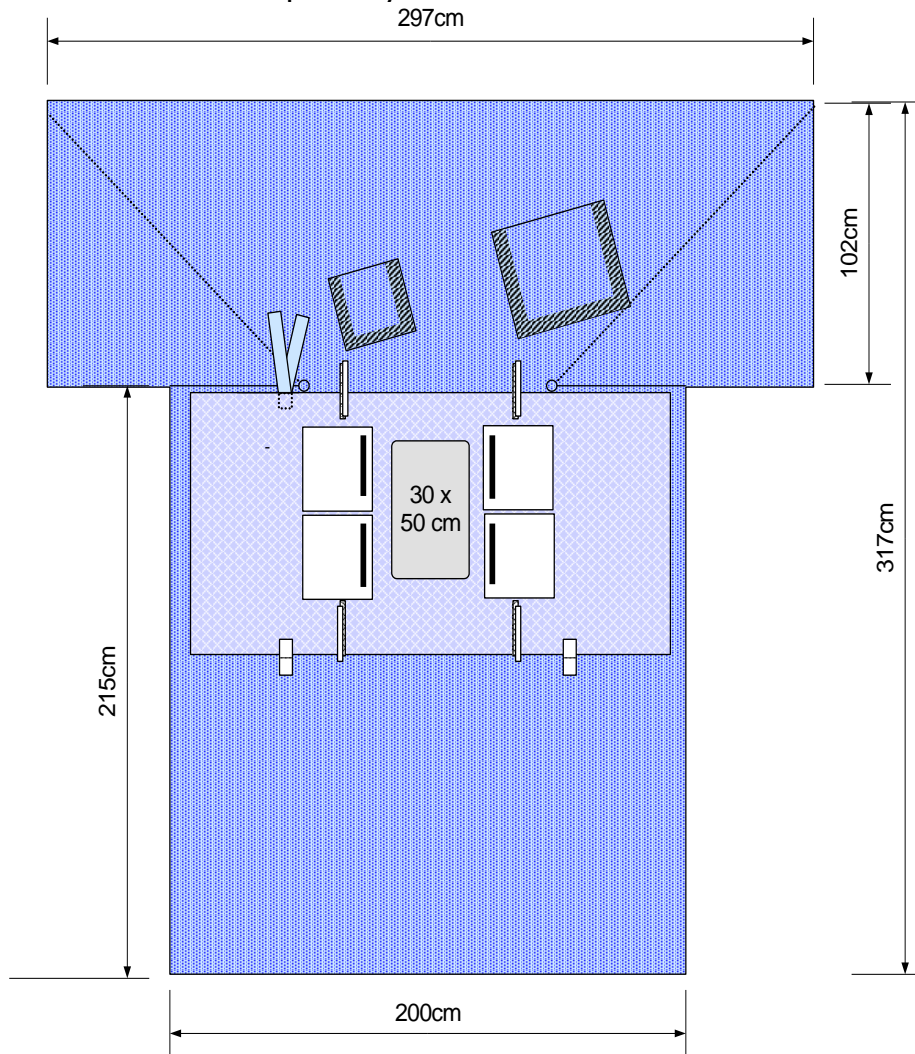
Material	Dimensions	Reference number	Order number sterile
3-layer	220 x 140cm	1302299	110246AA
Oval-shaped fenestration 7 x 18cm			
Reinforced area 50 x 30cm			

8.3.4. Can also be used as an dental drape:

1302551 , fenestration cloth, 3-layer, 150 x 120cm, oval fenestration 7 x 15cm (see page 38)

9 Cardiovascular surgery

9. 1 Cardiovascular drape 3-layer material



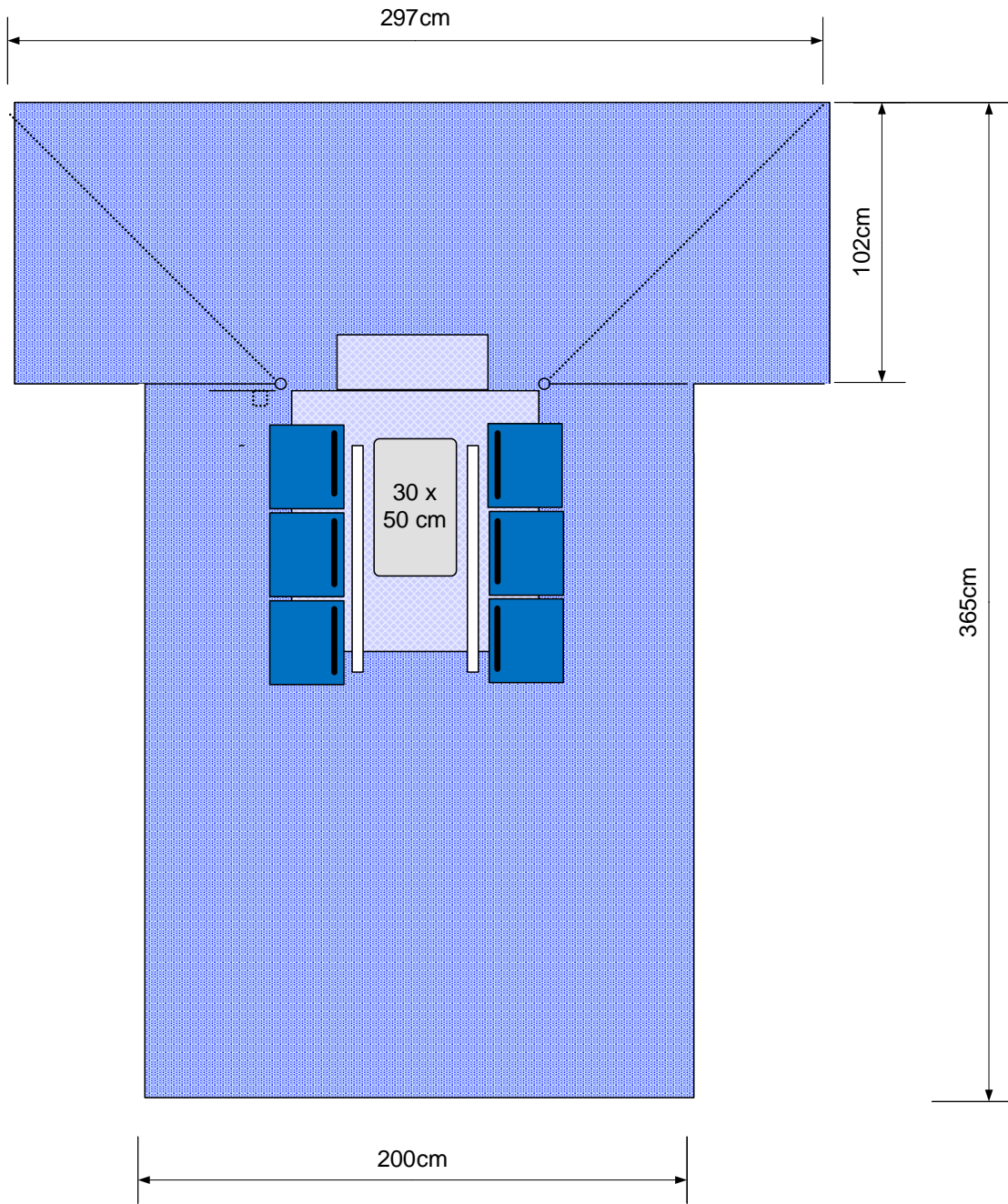
**Combination option
with bilateral split
drape
1302291**

**Ordernumber sterile
106650AA**

● 3-layer ○ ultra-absorbent ○ Incision film

Material	Dimensions	Reference number	Order number sterile
3-layer material	317 x 200/297cm	1301949	106558AA
Fenestration 50 x 30cm with incision film			
4x fluid collection bags			
2x extra pockets at the top			
Absorbent area 93 x 190cm			

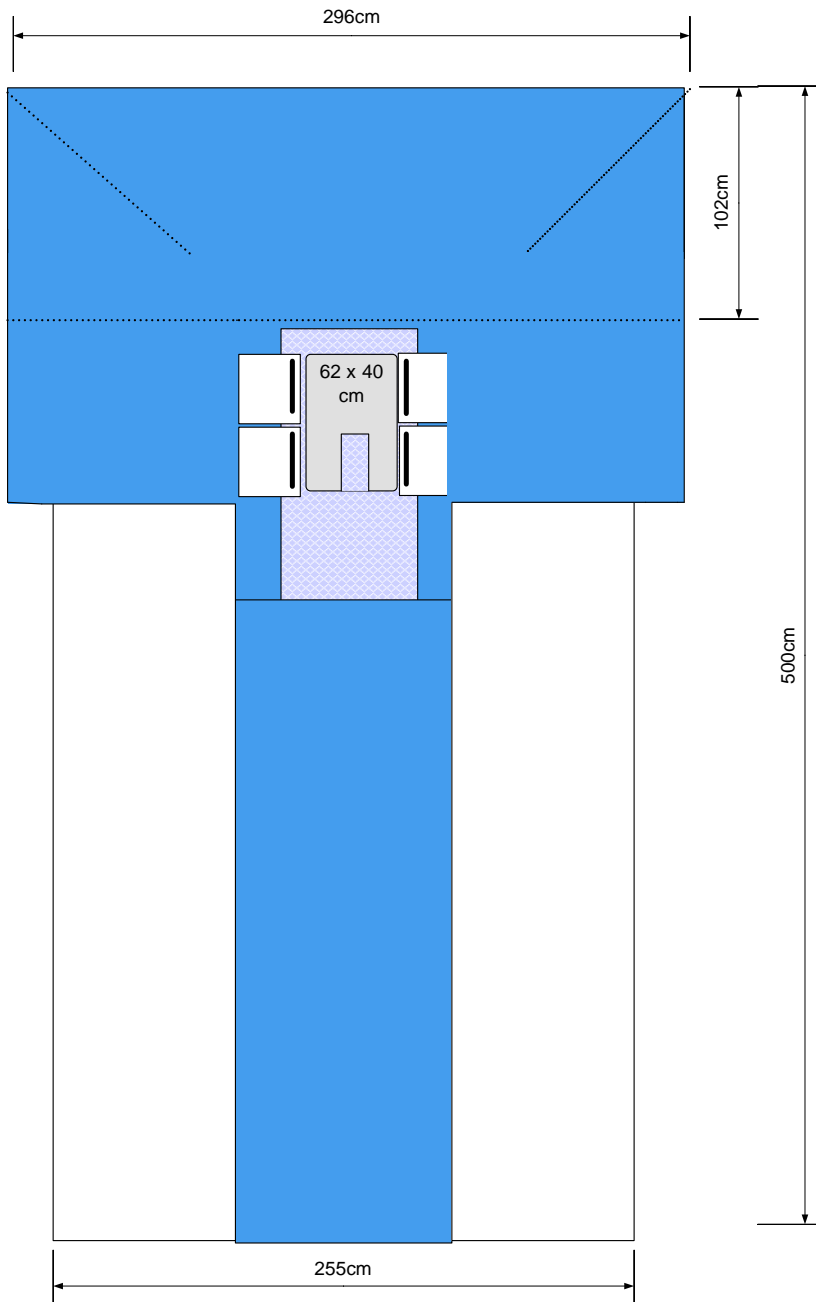
9.2 Cardiovascular drape SMS material



 SMS
  ultra-absorbent
  Incision film

Material	Dimensions	Reference number	Order number sterile
SMS material	362 x 200/297cm	1304808	116248AA
Fenestration 50 x 30cm with incision film			
6x fluid collection bags 2-layer material			
Extra plie for fixation			
Absorbent area			

9.3 Cardio vascular drape 2-layer material



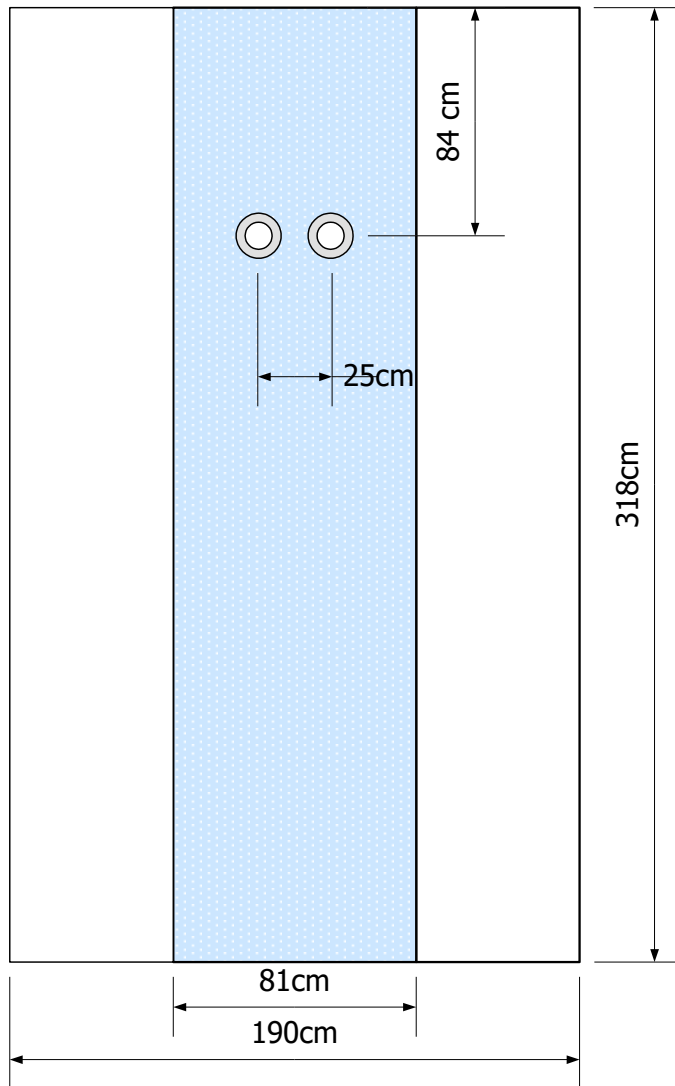
● 2-layer ○ ultra-absorbent ○ Incision film

Material	Dimensions	Reference number	Order number sterile
2-layer material	500 x 296/255cm	1307411	117360AA
Fenestration 62 x 30cm with incision film			
4x fluid collection bags			
Extra plie for fixation			
Absorbent area			

10 Angiography

10.1 Femoral angiography drapes

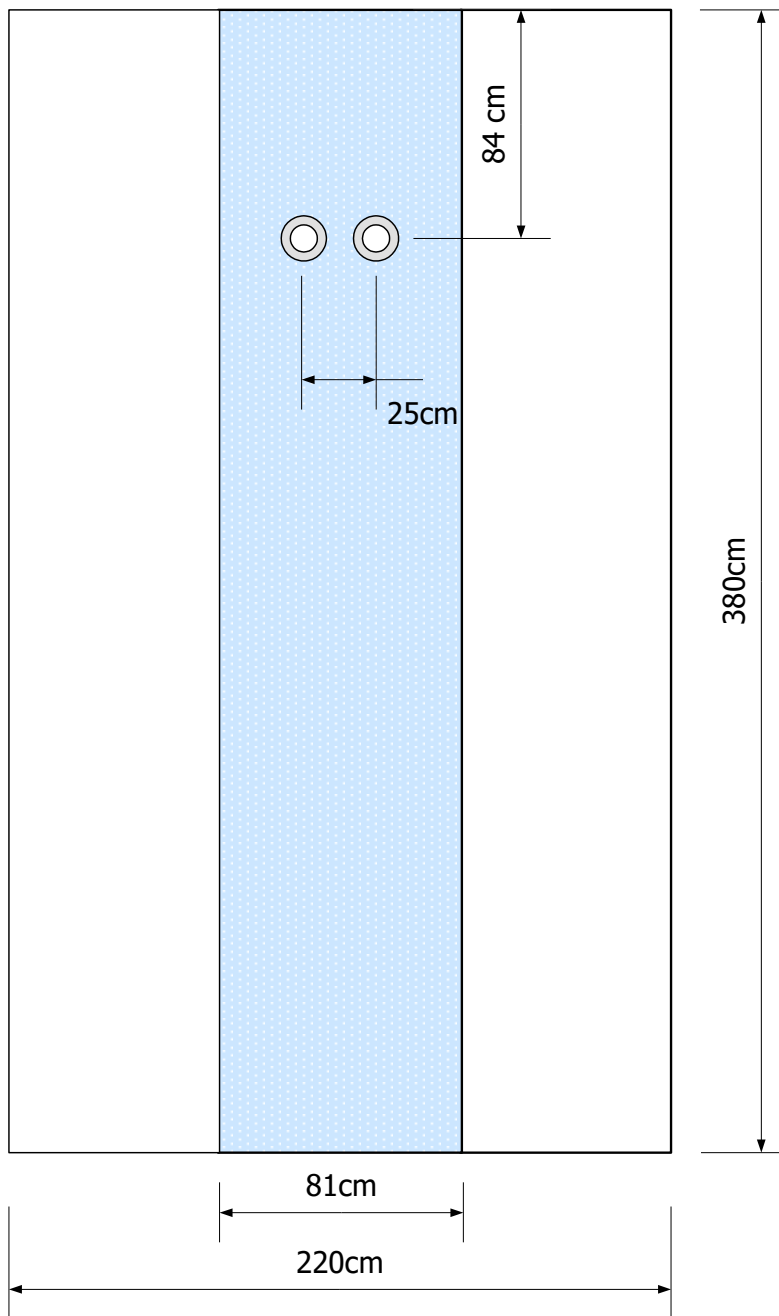
10.1.1 Femoral angio drapes, ultra absorbent, full transparent right and left



● Impermeable ultra absorbent ○ Transparent PE ● Incision film

Material	Dimensions	Reference number	Order number sterile
Ultra absorbent material + PE/CL	318 x 190cm	1301263	117052AA (was 103648AA)
Fenestration s Ø 15cm			
Incision film with fenestration Ø 7.5cm			
Transparent PE side panels			

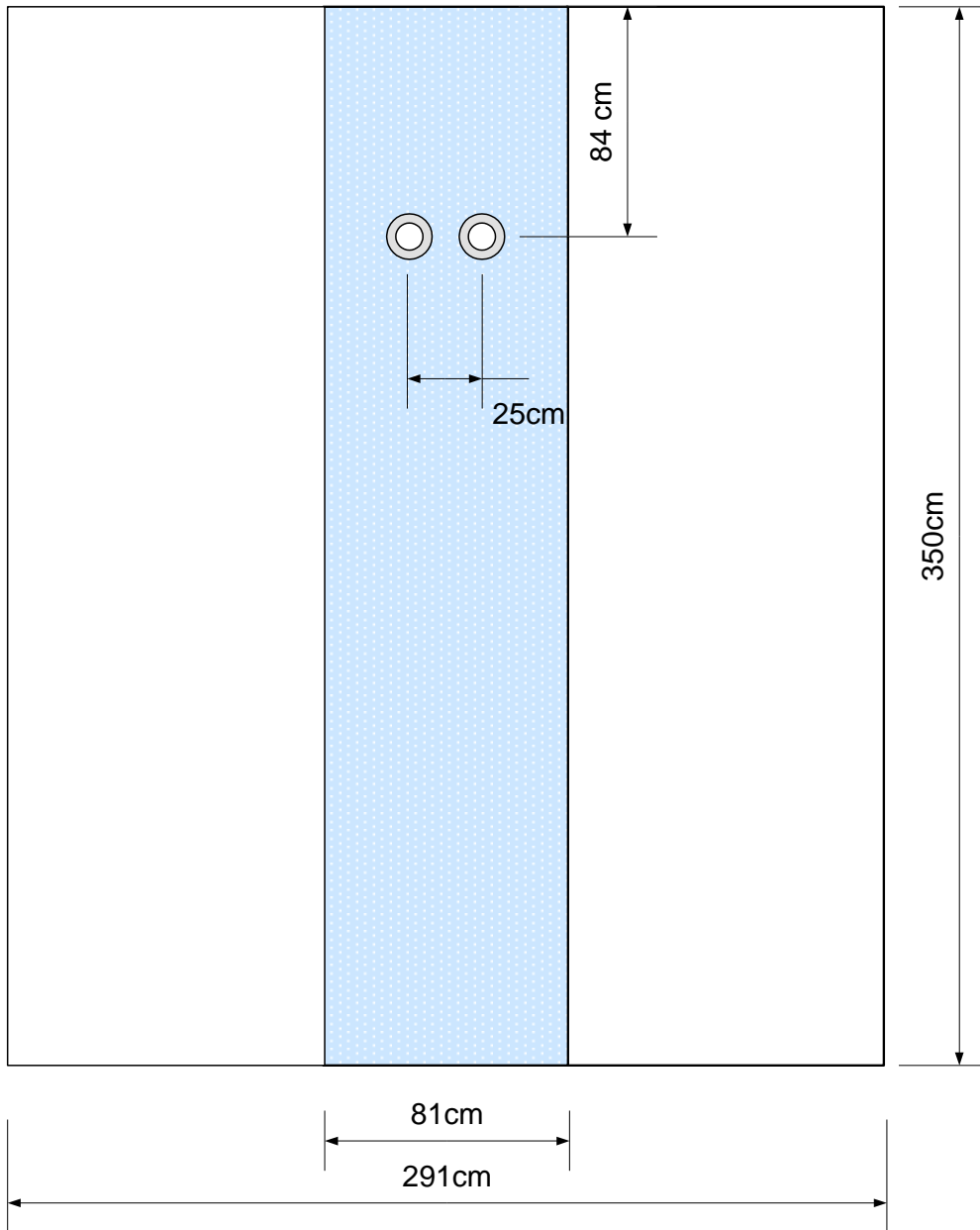
10.1.2 Femoral angio drape ultra absorbent, full transparent right and left (XL)



● Impermeable ultra absorbent ○ Transparent PE ○ Incision film

Material	Dimensions	Reference number	Order number sterile
Ultra absorbent material + PE/CL	380 x 220cm	1301564	117057AA (was 103670AA)
Fenestration s Ø 15cm			
Incision film with fenestration Ø 9cm			

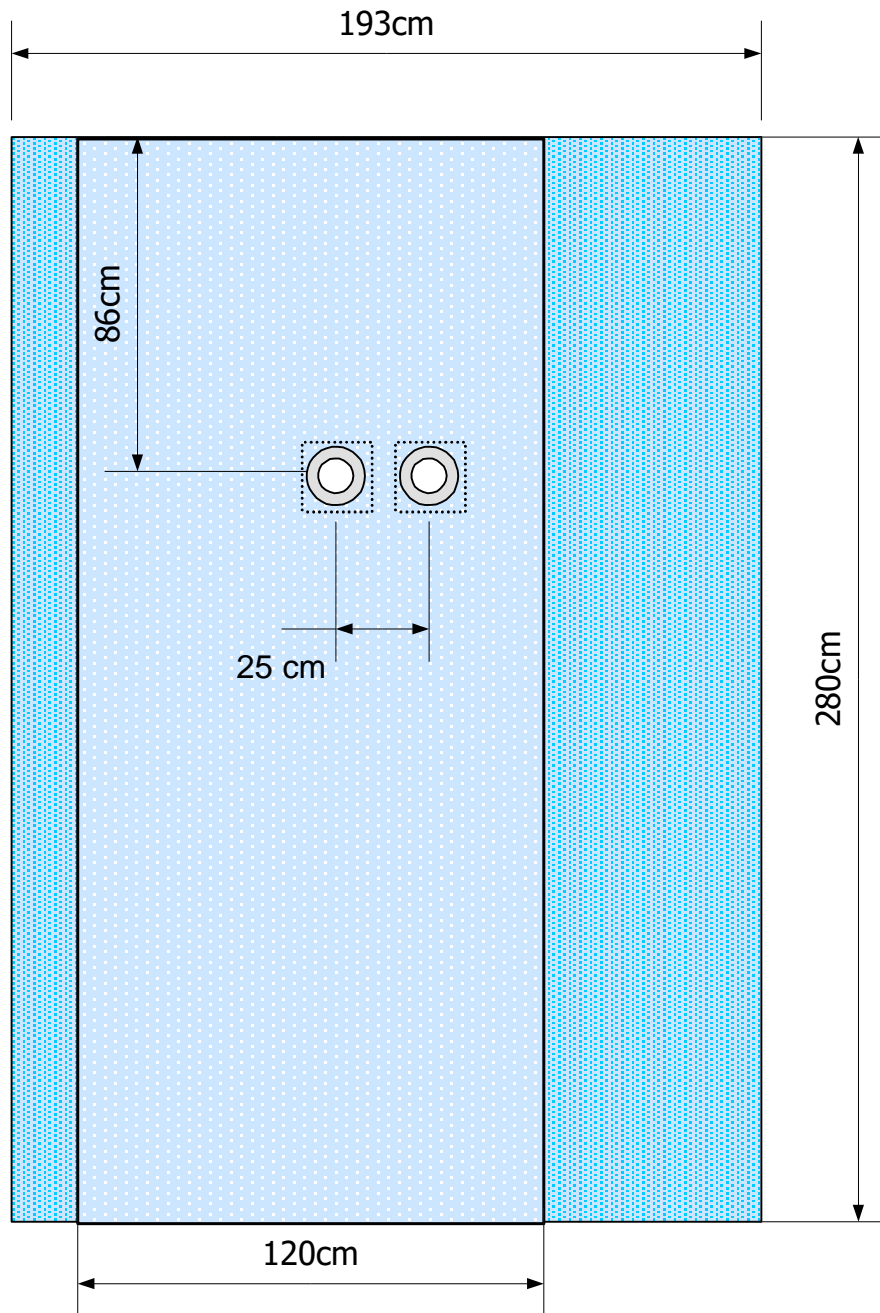
10.1.3 Femoral angio drape ultra absorbent, full transparent right and left



impermeable ultra absorbent
 transparent PE
 incision film

Material	Dimensions	Reference number	Order number sterile
Ultra absorbent + PE/CL	350 x 291cm	1304140	118738AA
Fenestration s Ø 15cm			
Incision film with fenestration Ø 7.5cm			

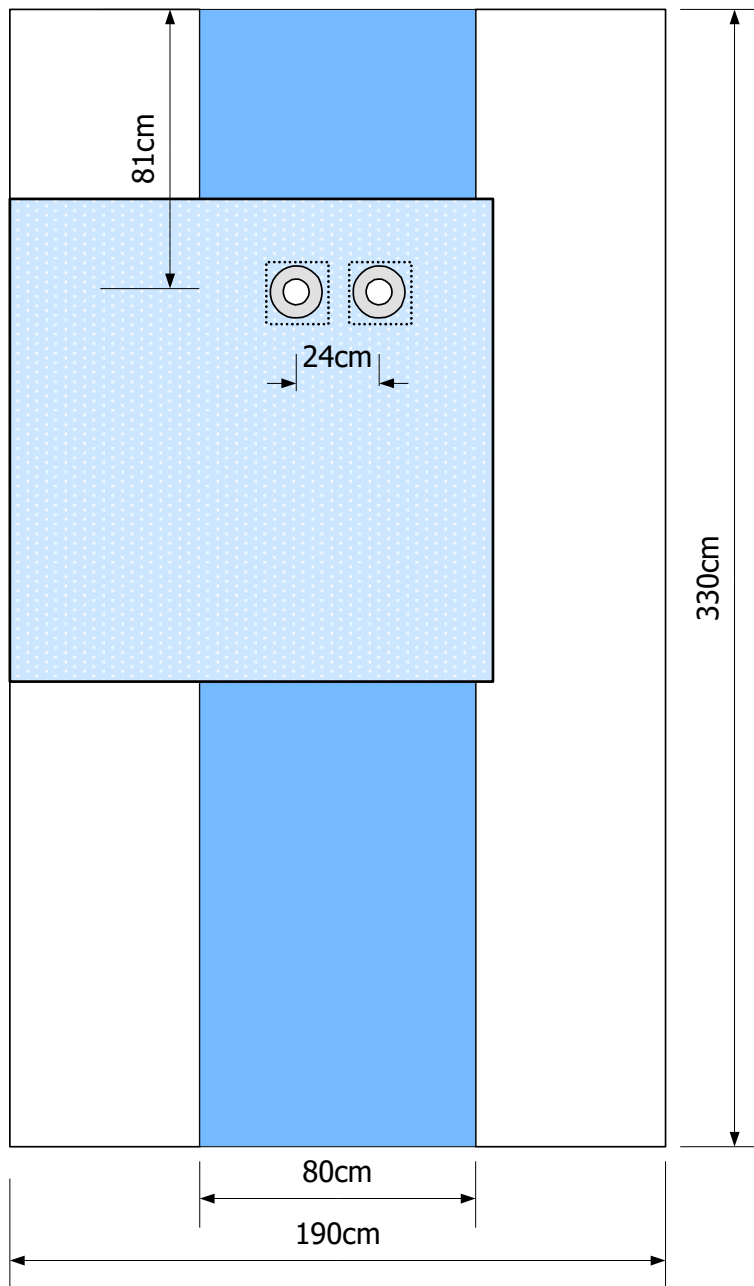
10.1.4 Femoral angio drape ultra absorbent, SMS side panels right and left



○ Impermeable ultra absorbent ● SMS ○ Incision film

Material	Dimensions	Reference number	Order number sterile
Ultra absorbent + SMS	280 x 193cm	1302215	112297AA
Fenestration s Ø 15cm			
Incision film with fenestration Ø 9cm			
Absorbent area 120cm wide			

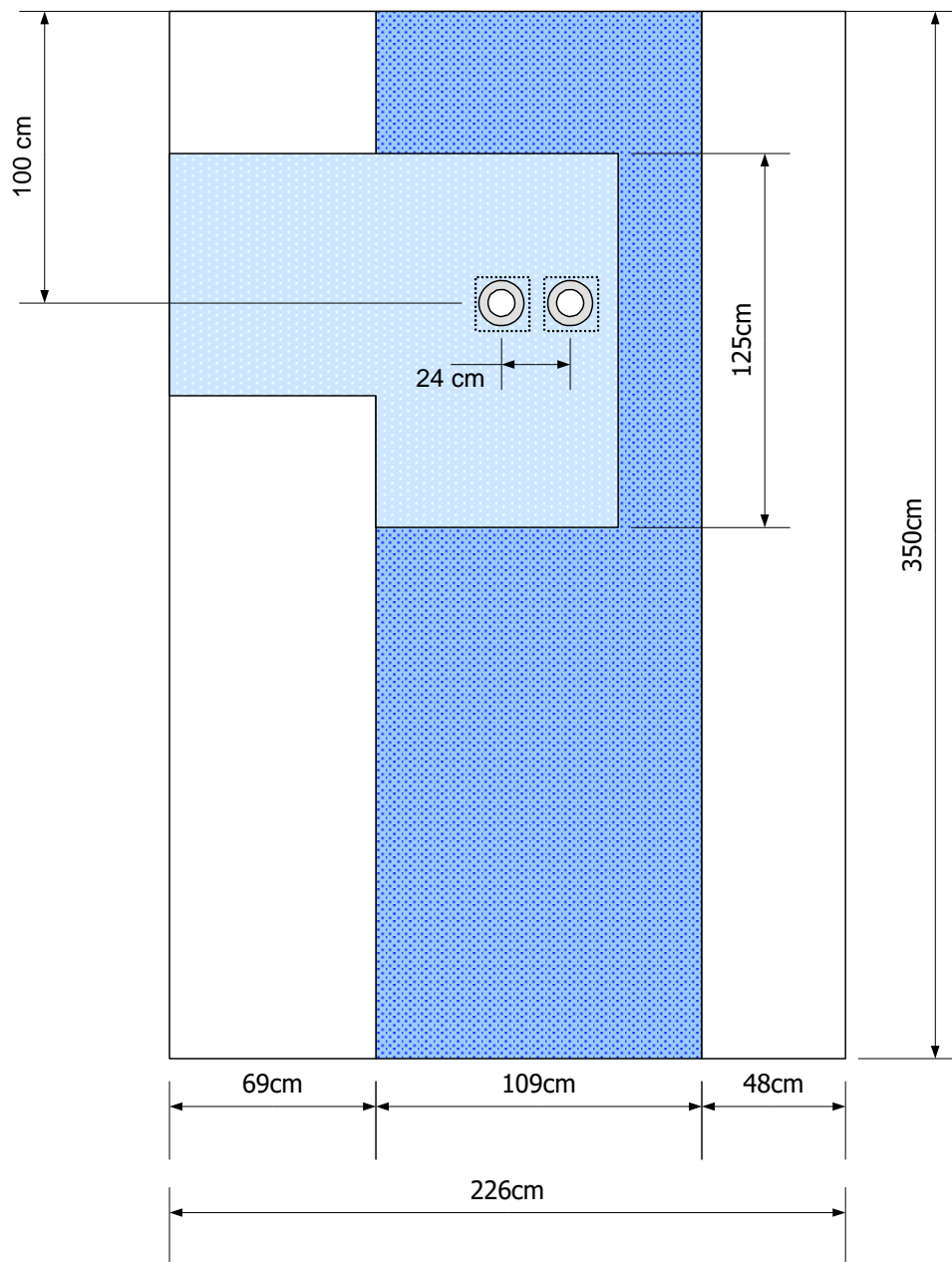
10.1.5 Femoral angio drape, ultra absorbent, L-shape



● 2-layer ● Impermeable ultra absorbent ○ Transparent PE ○ Incision film

Material	Dimensions	Reference number	Order number sterile
2-layer with PE + ultra absorbent area	330 x 190cm	1301229	103500AA
Fenestration s Ø 15cm			
Incision film with fenestration Ø 7.5cm			
Ultra absorbent area 140 x 140cm			
NOTE: non-woven material on patient side for comfort, PE on top 2-layer material			

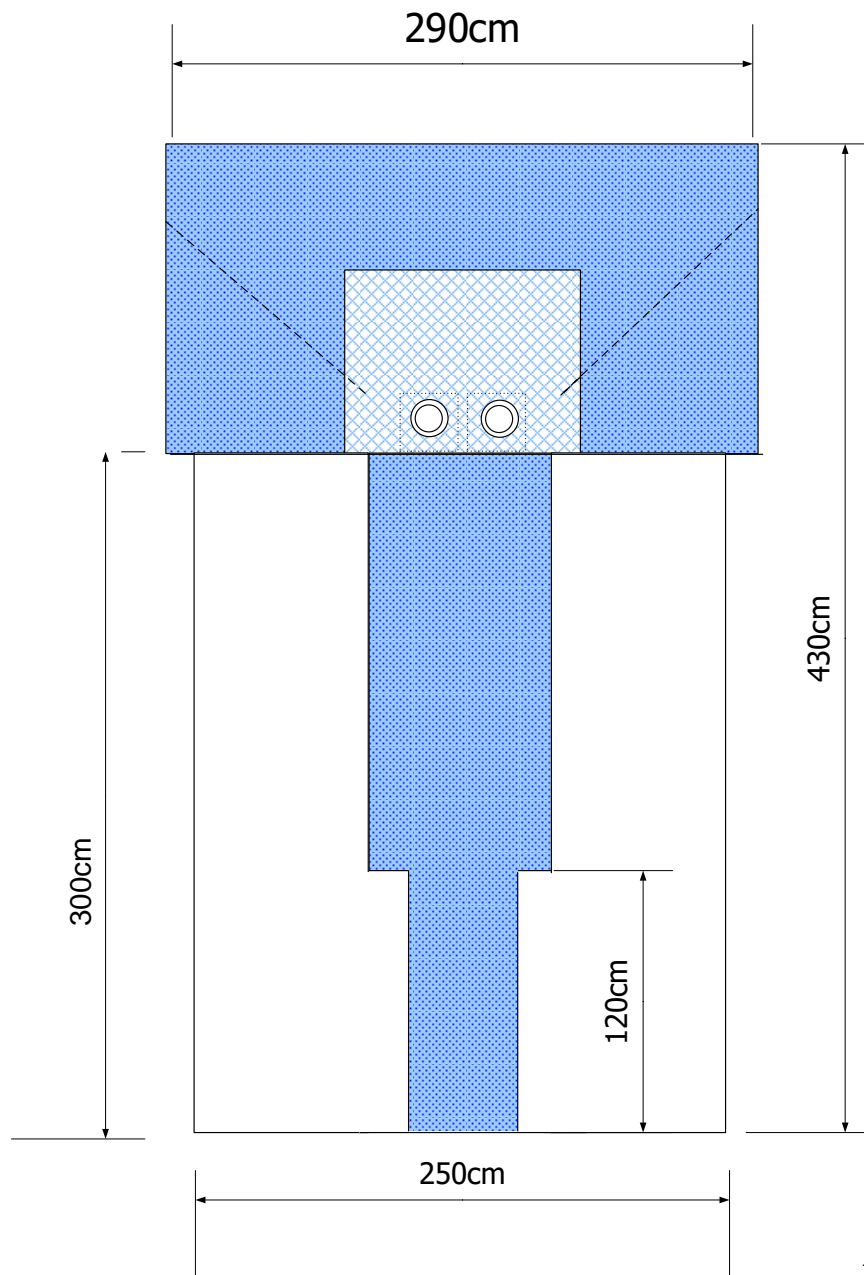
10.1.6 Femoral angio drape, ultra absorbent L-shape, transparent side panels



3-layer
 Impermeable ultra absorbent
 Transparent PE
 Incision film

Material	Dimensions	Reference number	Order number sterile
3-layer with PE side panels and ultra-absorbent area	350 x 226cm	1302056	102329AA
Fenestrations \varnothing 15cm			
Incision film with fenestration of \varnothing 7.5cm			
Ultra absorbent area 125 x 150cm, L-shape			

10.1.7 Femoral angio drape, 3-layer with extra long transparent side panels
(EVAR procedure)

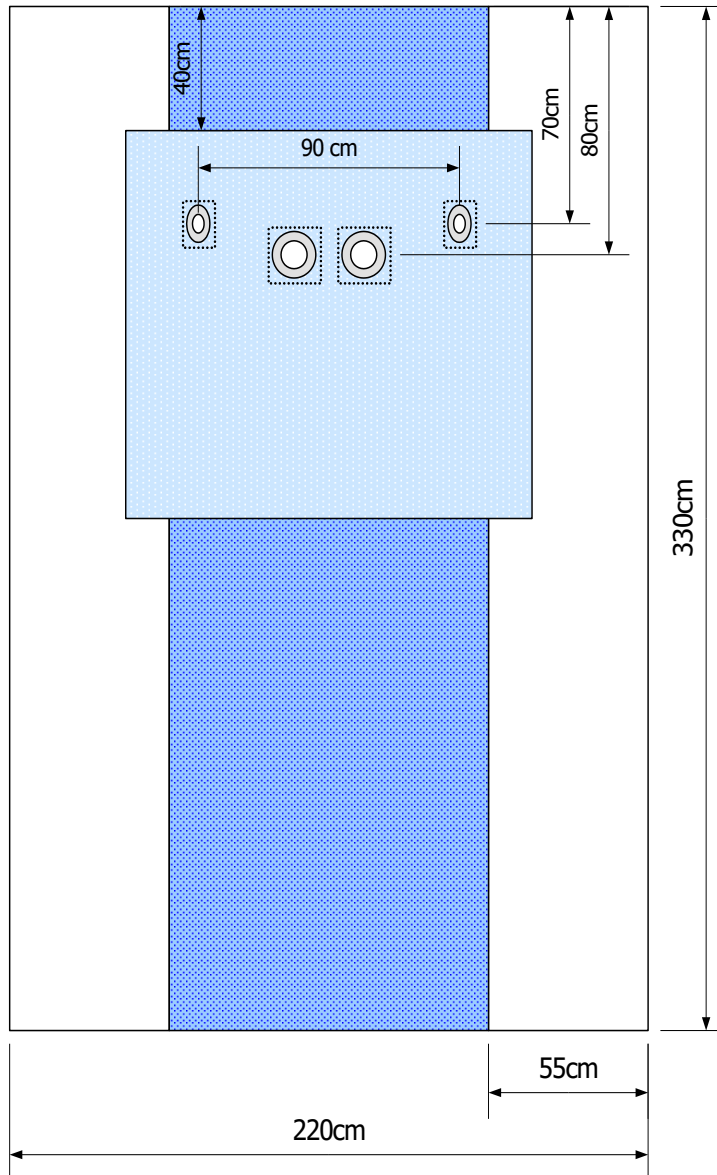


● 3-layer material ● Absorbent material

Material	Dimensions	Reference number	Order number sterile
3-layer + extra absorbent material	430 x 290/250cm	1304271	114594AA
2 x fenestration Ø 14cm			
Incision film with fenestration Ø 7.5cm			
Transparent right side panel			
Absorbent area			

10.2 Femoral radial angiography drapes

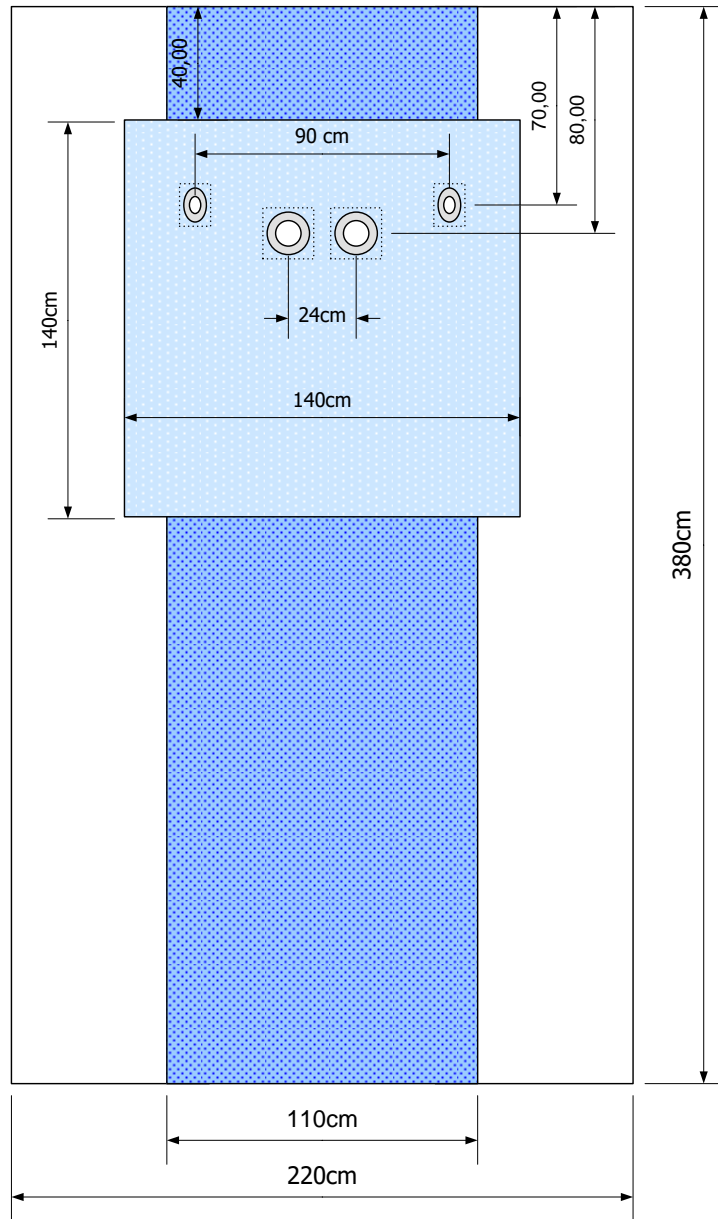
10.2.1 Femora radial angio drape, standard



3-layer
 Transparent PE
 Impermeable ultra absorbent
 Incision film

Material	Dimensions	Reference number	Order number sterile
3-layer + ultra absorbent area	330 x 220cm	1301908	117079AA (was 104553AB)
Femoral fenestrations: incision film Ø 15cm with fenestration Ø 9cm			
Radial fenestrations: incision film oval 12 x 8cm with oval fenestration 6 x 4cm			
Absorbent area 125 x 140cm			

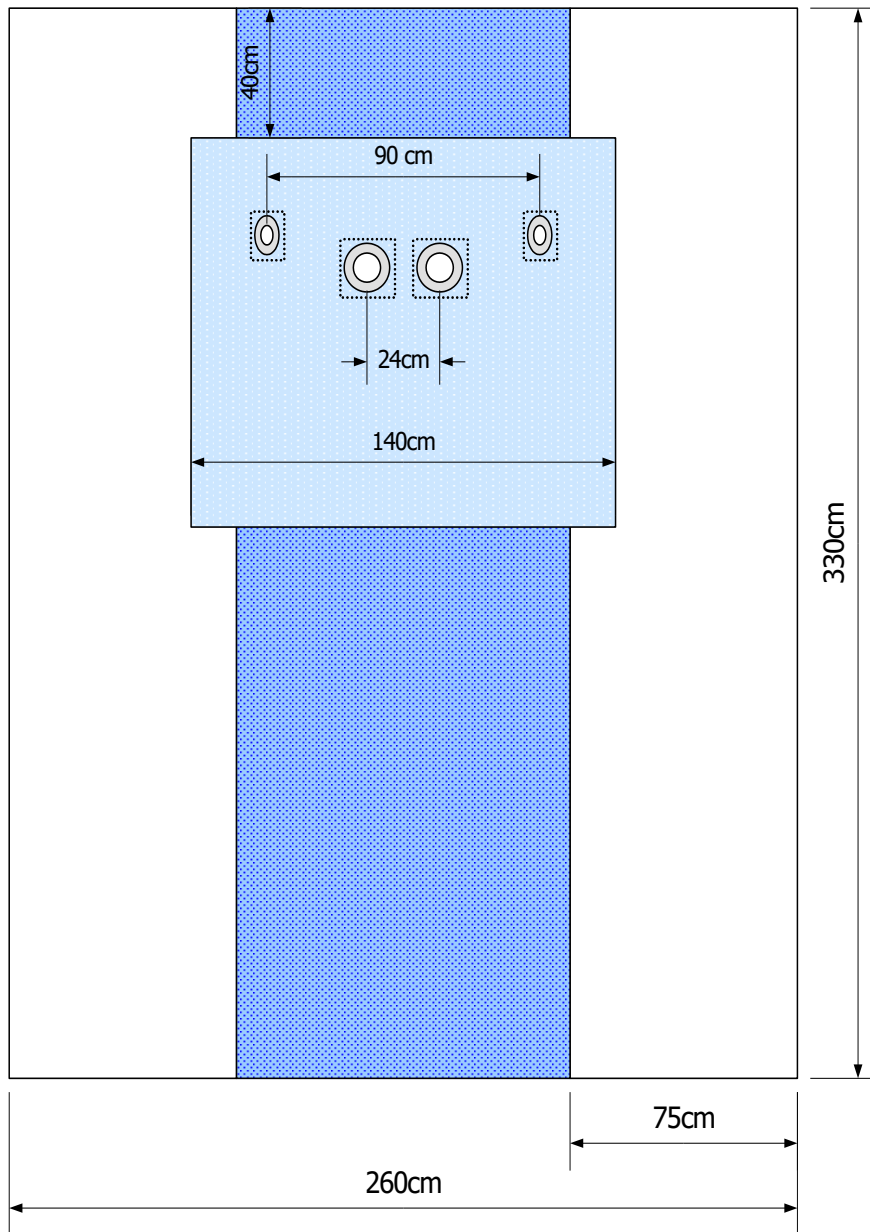
10.2.2 Femoral radial angio drape, XL



3-layer
 Transparent PE
 Impermeable ultra absorbent
 Incision film

Material	Dimensions	Reference number	Order number sterile
3-layer + PE/CL and ultra-absorbent area	380 x 220cm	1301907	117073AA (was 104541AA)
Femoral fenestrations: incision film Ø 15cm with fenestration Ø 9cm			
Radial fenestrations: incision film oval 12 x 8cm with oval fenestration 6 x 4cm			

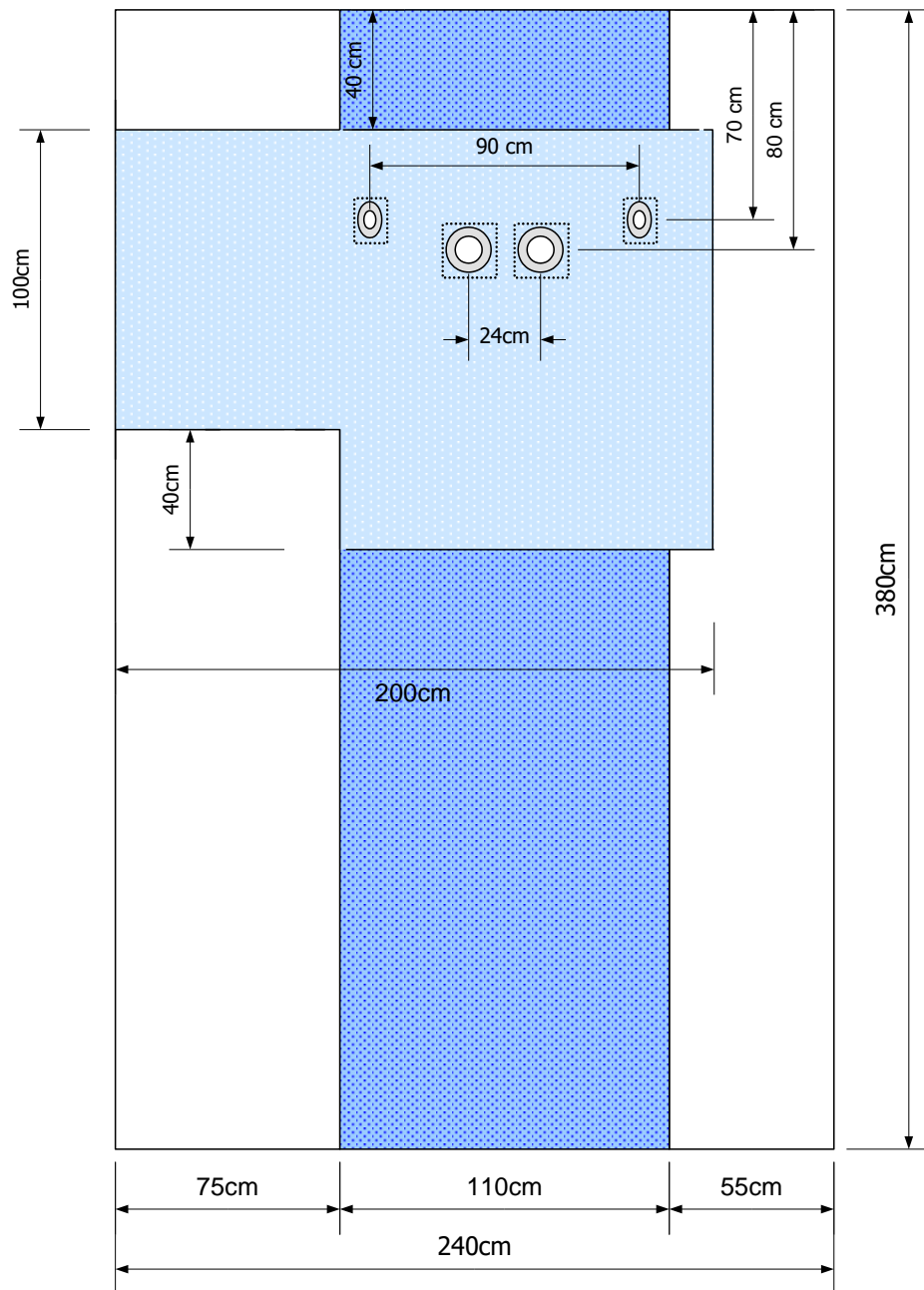
10.2.3 Femoral radial angio drape, with extra wide side panels



3-layer
 Transparent PE
 Impermeable ultra absorbent
 Incision film

Material	Dimensions	Reference number	Order number sterile
3-layer with PE/CL and ultra absorbent area	330 x 260cm	1302700	107127AA
Femoral fenestration s: incision film Ø 15cm with fenestration Ø 9cm			
Radial fenestration s: incision film oval 12 x 8 cm with oval fenestration 6 x 4cm			
Wider PE side panels			
Longer version 350 x 260cm = 1303101			

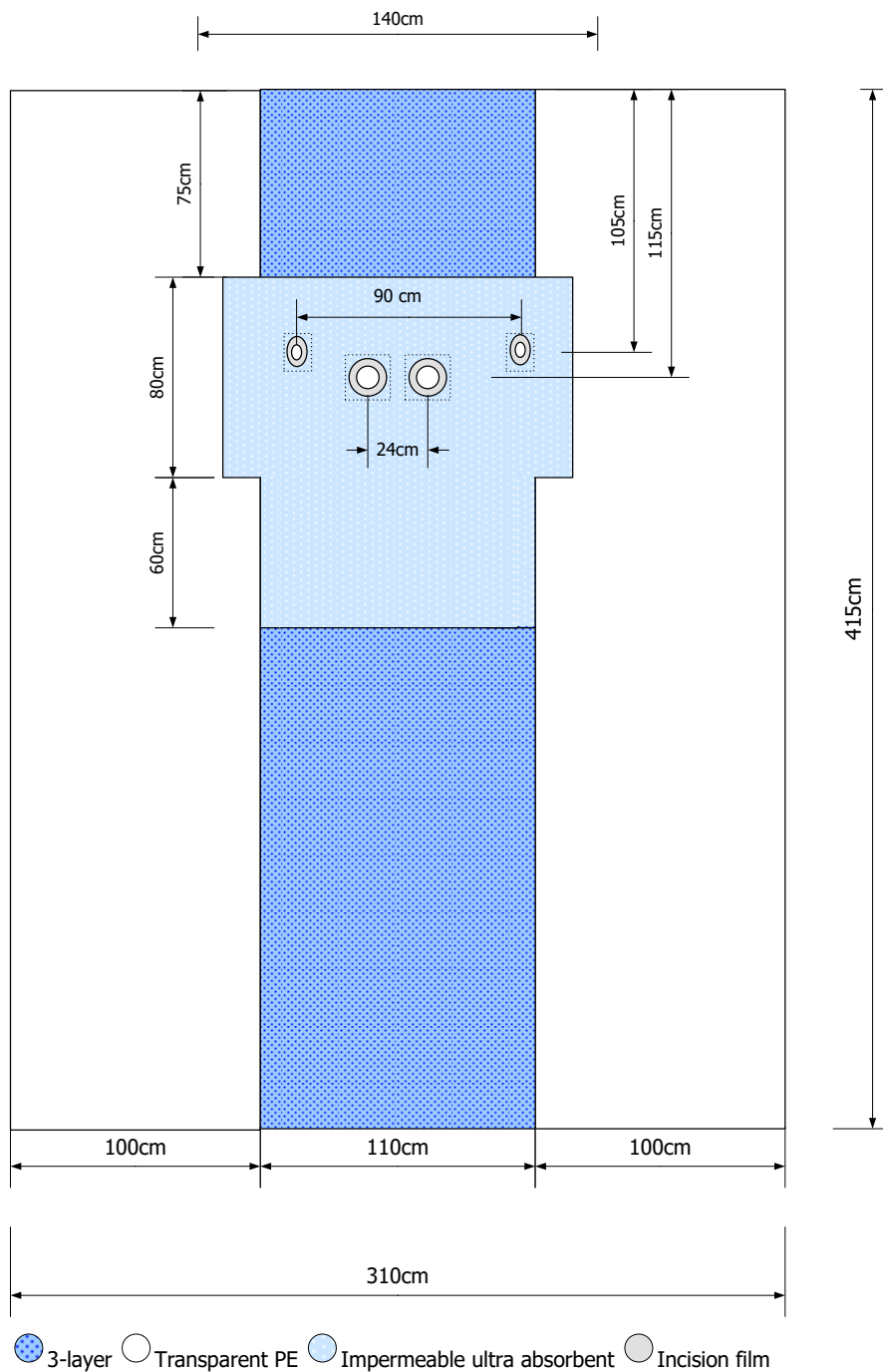
10.2.4 Femoral radial angio drape, with L-shape absorption area



3-layer
 Transparent PE
 Impermeable ultra absorbent
 Incision film

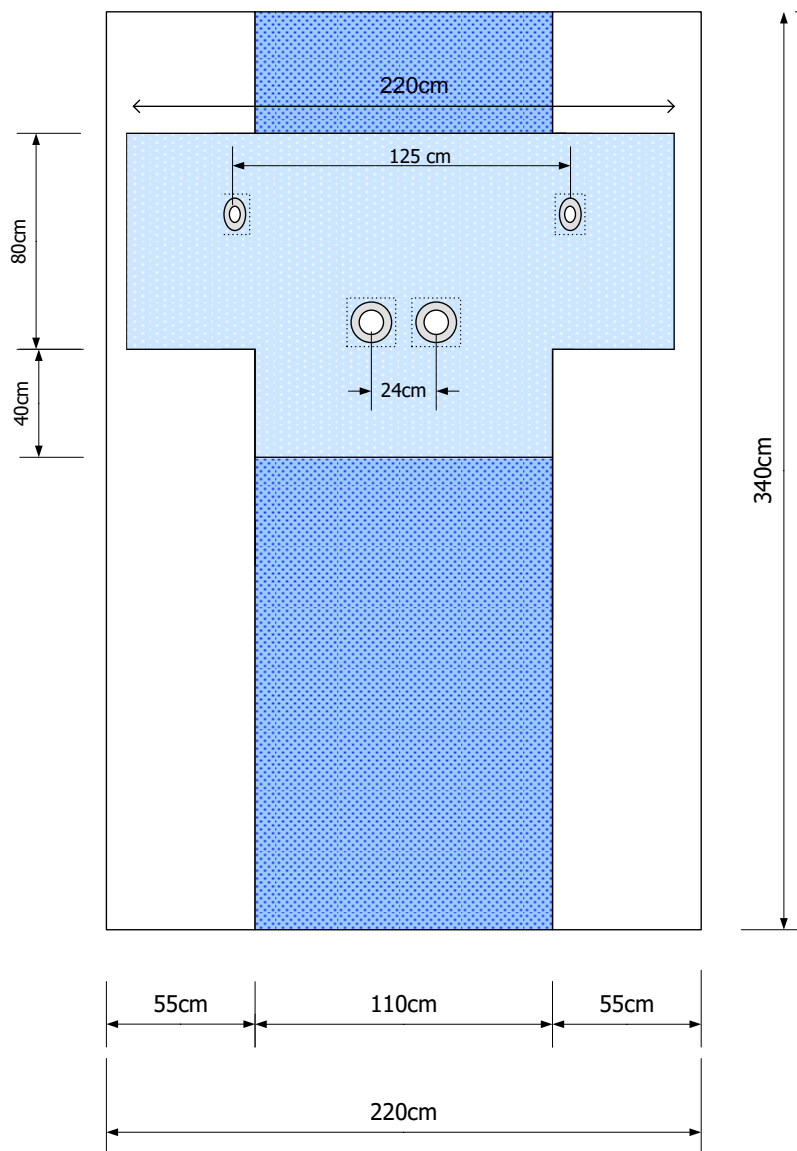
Material	Dimensions	Reference number	Order number sterile
3-layer + PE/CL + ultra-absorbent area	380 x 240cm	1303241	109448AA
Femoral fenestration s: incision Ø 15cm with fenestration Ø 9cm			
Radial fenestration s: incision film oval 12 x 8cm with oval fenestration 6 x 4cm			
Absorbent area 140 x 200cm in L-shape			
Wider PE side panel on the right side			

10.2.5 Femoral Radial Angio drape, with T-shape absorption area



Material	Dimensions	Reference number	Order number sterile
3-layer with PE/CL and ultra absorbent area	415x310 cm	1302779	106871AA
Femoral fenestrations: incision film Ø 15cm with fenestration Ø 9cm			
Radial fenestrations: incision film oval 12 x 8cm with oval fenestration 6 x 4cm			
Absorbent area 140 x 140cm in T-shape			
Wide PE side panels			

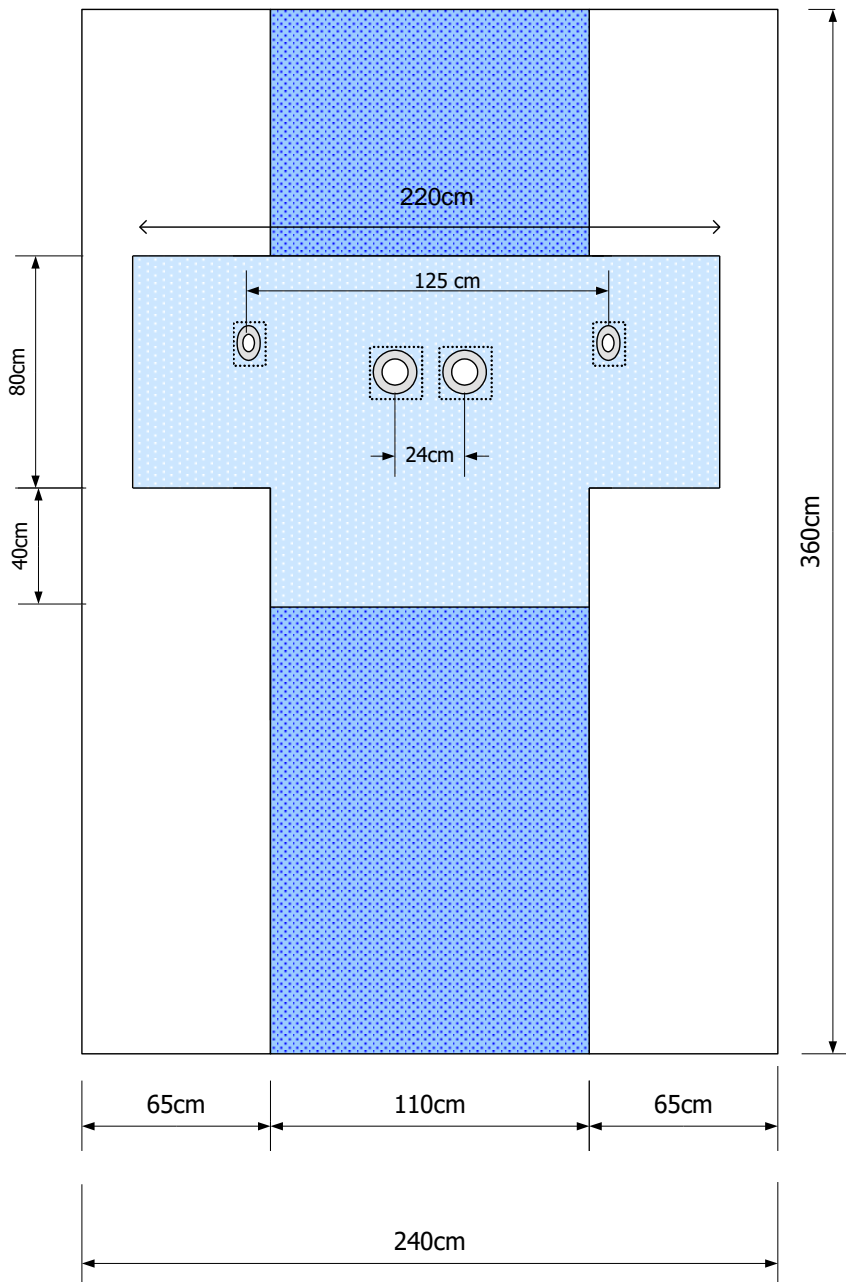
10.2.6 Femoral Radial Angio drape, with T-shape absorption area



3-layer
 Transparent PE
 Impermeable ultra absorbent
 Incision film

Material	Dimensions	Reference number	Order number sterile
3-layer + ULTRA absorbent area	340 x 220cm	1303592	110770AA
Femoral fenestrations: incision film Ø 15cm with fenestration Ø 9cm			
Radial fenestration s: incision film oval 12 x 8cm with oval fenestration 6 x 4cm			
Absorbent area 120 x 220cm in T-shape			
Distance between radial fenestration s 125cm + distance between radial and femoral fenestration s is larger			
PE side panels			

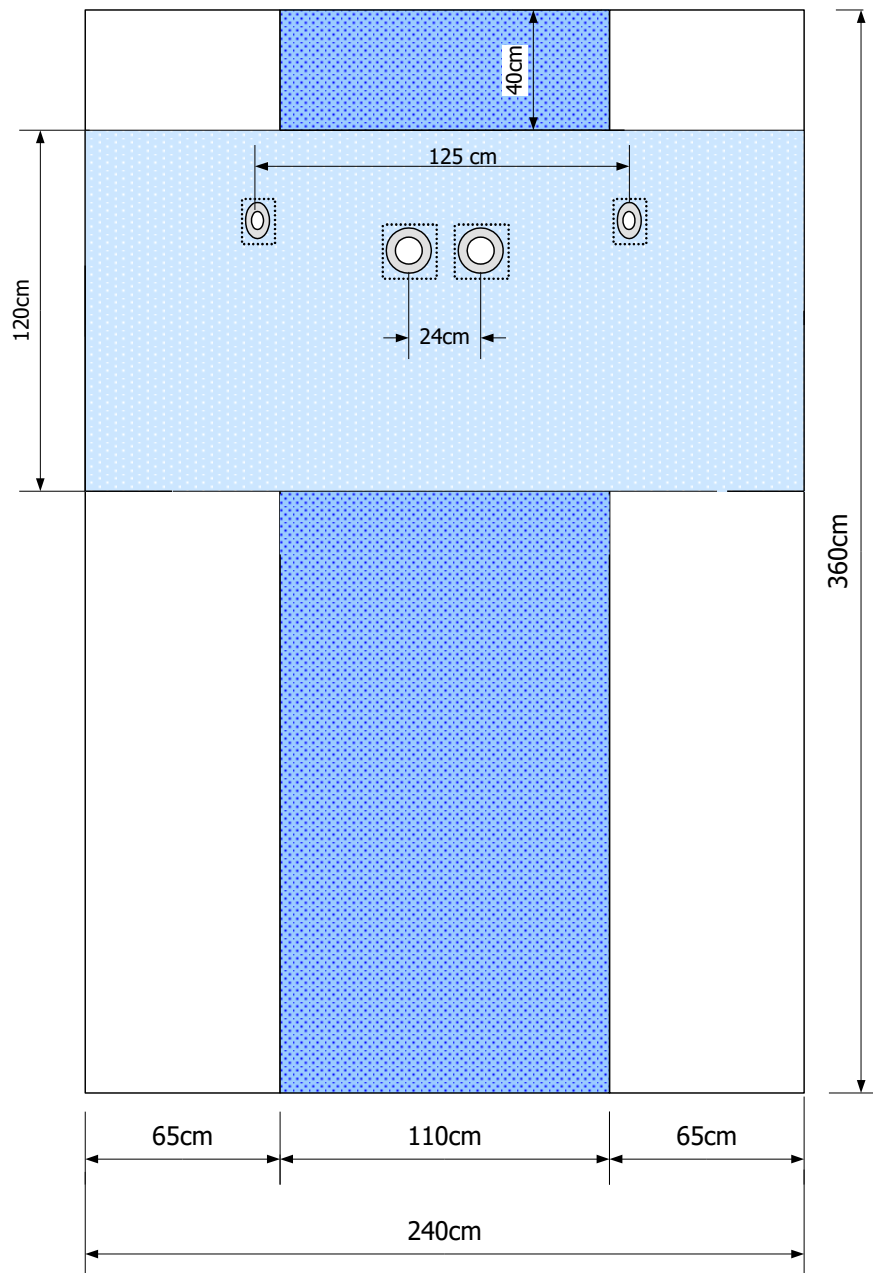
10.2.7 Femoral Radial Angio drape, with T-shape absorption area XL



3-layer
 Transparent PE
 Impermeable ultra absorbent
 Incision film

Material	Dimensions	Reference number	Order number sterile
3-layer + ultra absorbent area	360 x 240cm	1303591	108695AA
2-layer + ultra absorbent area	360 x 240cm	<u>1304554</u>	115449AA
Femoral fenestrations: incision film Ø 15cm with fenestration Ø 9cm			
Radial fenestration s: incision film oval 12 x 8cm with oval fenestration 6 x 4cm			
Absorbent area 120 x 220cm in T-shape			
Distance between radial fenestration s 125cm, PE side panels			

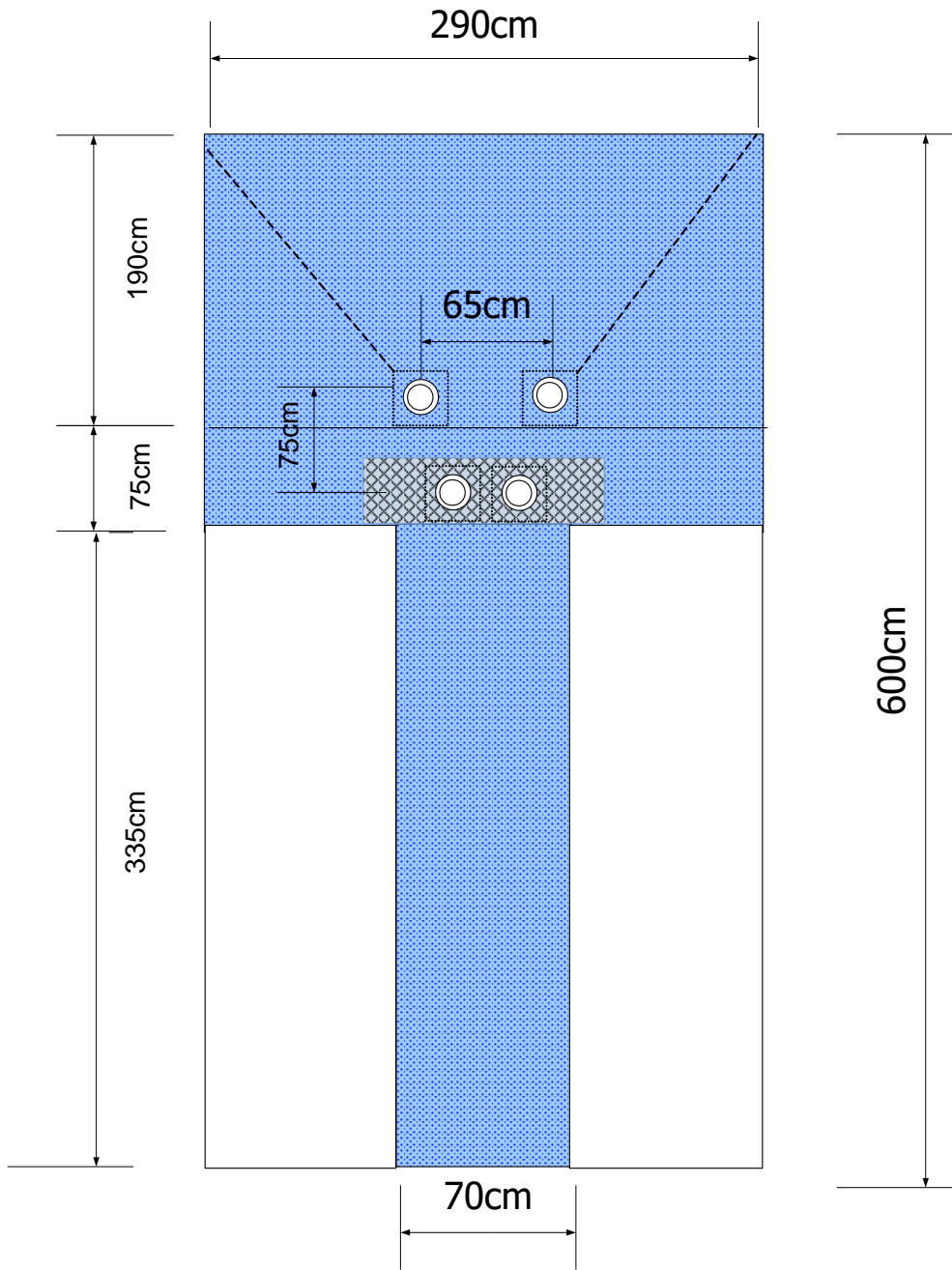
10.2.8 Femoral Radial Angio drape, with absorbent area XL



● 3-layer
 ○ Transparent PE
 ● Impermeable ultra absorbent
 ○ Incision film

Material	Dimensions	Reference number	Order number sterile
3-layer	3 60 x 240cm	1303754	115070AA
Femoral fenestrations: incision film Ø 15cm with fenestration Ø 9cm			
Radial fenestration s: incision film oval 12 x 8cm with oval fenestration 6 x 4cm			
Absorbent area 120 x 240cm			
Distance between radial fenestration s 125cm			
PE side panels			

10.2.9 Femoral Axial Angio drape

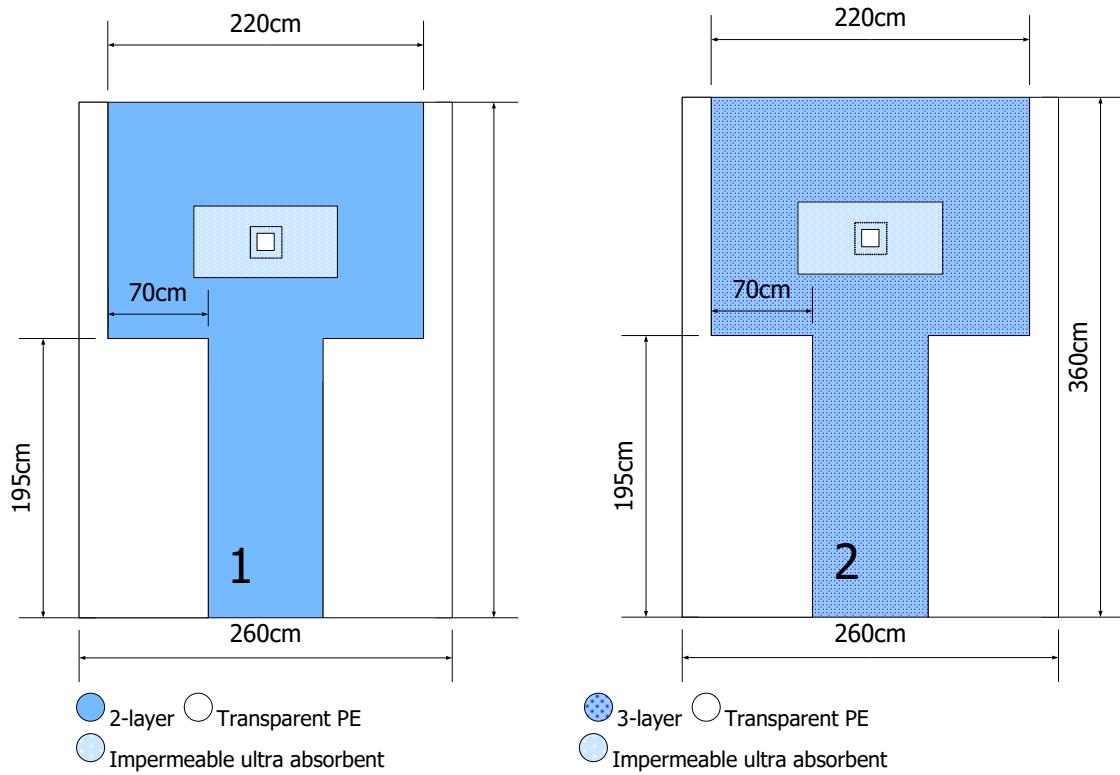


3-layer
 Transparent PE
 3-layer absorbent material
 Incision film

Material	Dimensions	Reference number	Order number sterile
3-layer mat + PE/CL + absorbent material	600 x 290cm	1303421	109875AA
Femoral fenestrations: incision film Ø 15cm with fenestration Ø 9cm			
Axillary fenestrations: incision film Ø 15cm with fenestration Ø 9cm			
Absorbent area 40 x 100cm			

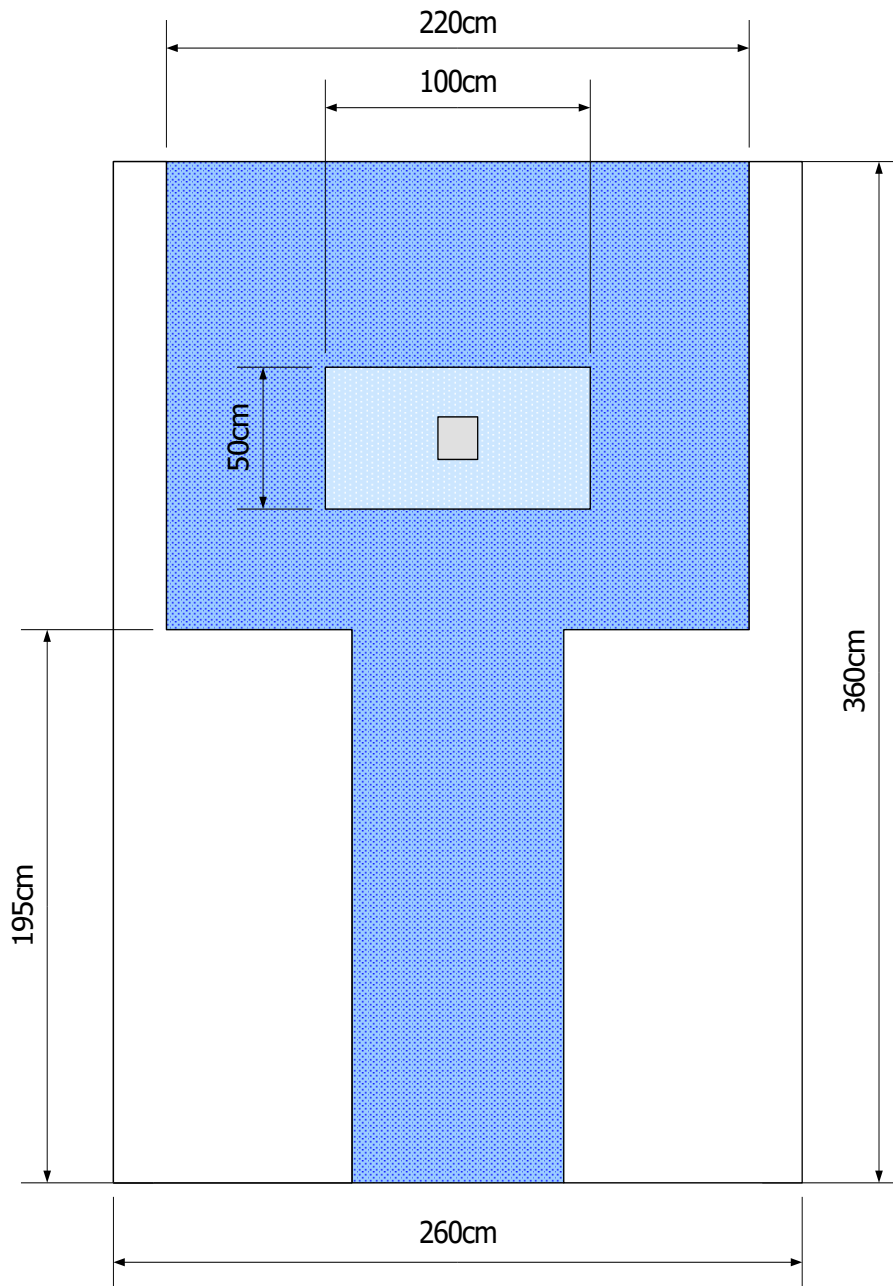
10.3 Pacemaker drapes

10.3.1 Pacemaker drape with fenestration 12 x 12cm



	Material	Dimensions	Reference number	Order number sterile
1	2-layer	360 x 260cm	1303877	112298AA
2	3-layer	360 x 260cm	1301983	117074AA (was 104542AA)
Absorbent area 50 x 100cm				
Fenestration 12 x 12cm with incision film				

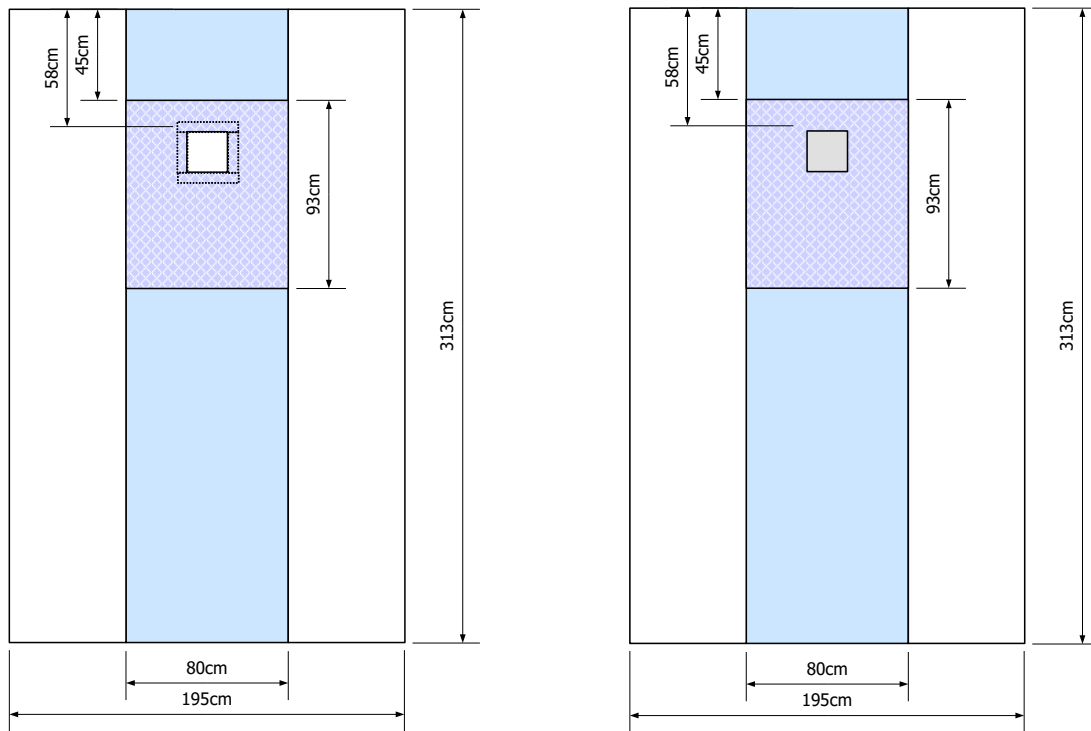
10.3.2 Pacemaker drape 3-layer with fenestration 15 x 15cm with incision film



3-layer
 Impermeable ultra absorbent
 Incision film

Material	Dimensions	Reference Number	Order number sterile
3-layer material	360 x 260cm	1303147	108396AA
Absorbent area 100 x 50cm			
Fenestration 15x 15cm with incision film			
<i>Drape with incision film + tape: 1303324</i>			

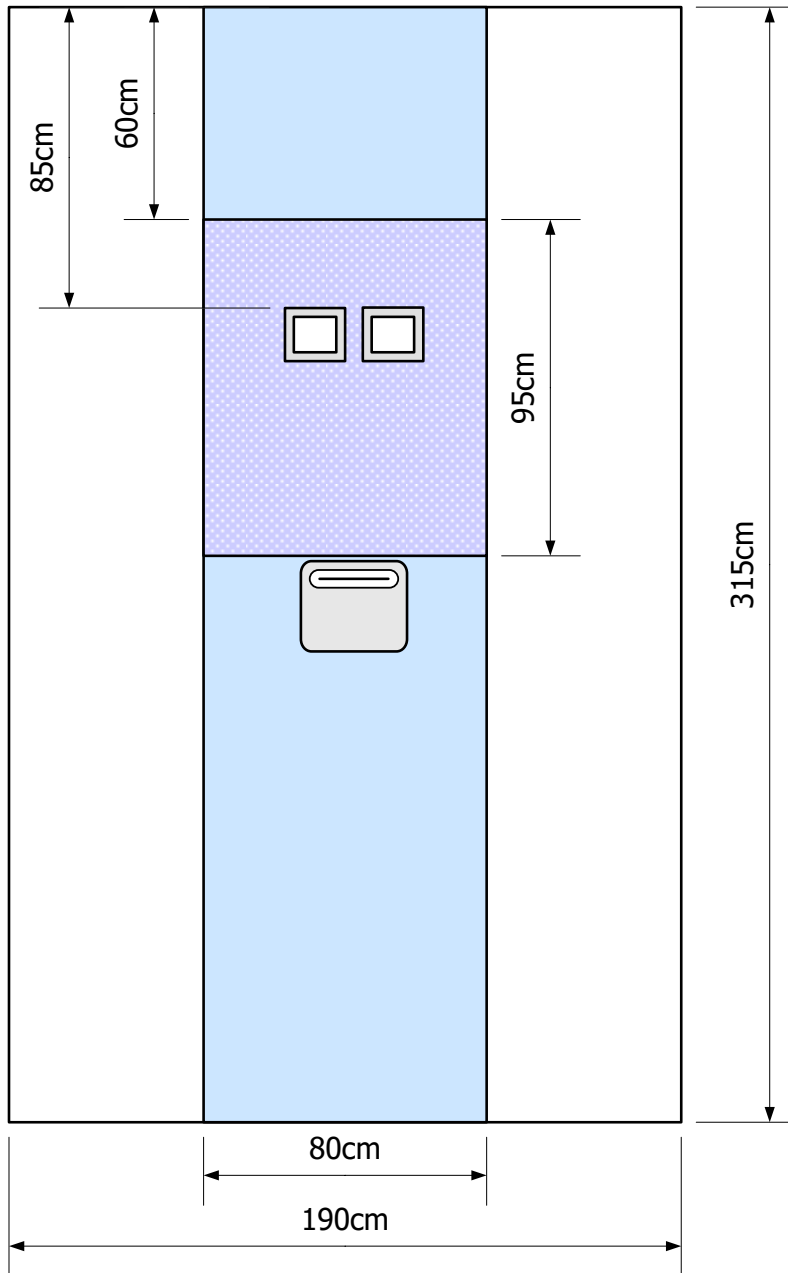
10.3.3 Pacemaker drape 2-layer drape with fenestration 20 x 20cm



Spunlace
 Impermeable absorbent
 Transparent PE
 Incision film

Material	Dimensions	Incision film	Reference number	Order number sterile
2-layer HCD	313 x 195cm	NO (with tape)	1307673	tbd
2-layer HCD + INC	313 x 195cm	YES (without tape)	1307675	119318AA
Fenestration 20 x 20cm				

10.3.4 Pacemaker drape with 2 fenestrations



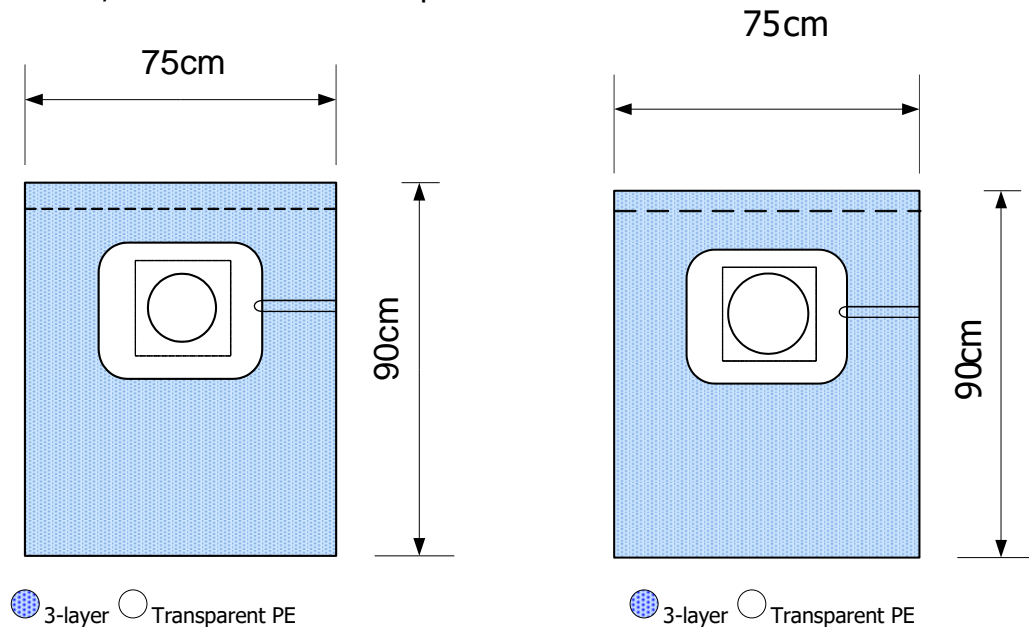
● Spunlace ● Impermeable absorbent ○ Transparent PE ○ Incision film

Material	Dimensions	Reference number	Order number sterile
Spunlace	315 x 190cm	1307023	117044AA (was 103507AA)
2 fenestration s 15 x 17cm with incision film with fenestration s 10 x 12cm			
Absorbent area 95 x 80cm			
Fluid collection bag 25.5 x 30cm			

11 Anesthesia drapes

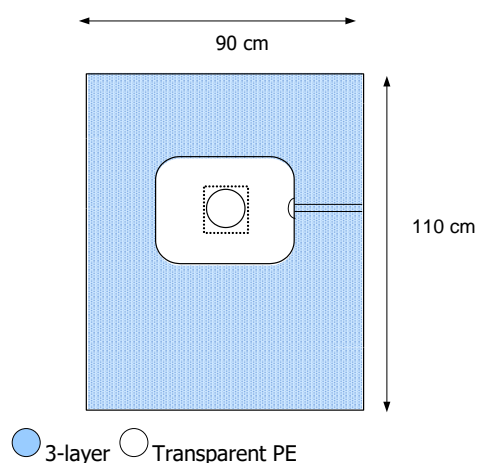
11.1. CV drapes

11.1.1. CV sheet, 90 x 75 cm with transparent fenestration



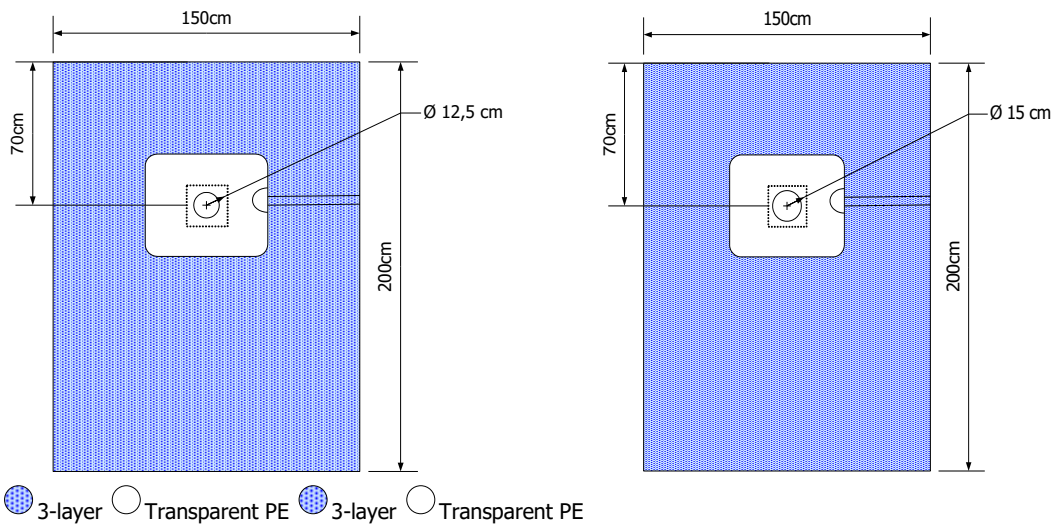
Material	Dimensions	Transparent PE	Reference number	Order number sterile
3-layer material	90 x 75 cm	45 x 45cm Ø12.5cm + ZIP + tape	1303245	108767AA
3-layer material	90 x 75cm	45 x 45cm Ø15cm + ZIP + tape	1303433	110247AA
Zip functionality, which allows you to safely remove the sheet without the use of scissors				

11.1.2 CV sheet 110 x 90cm with transparent fenestration



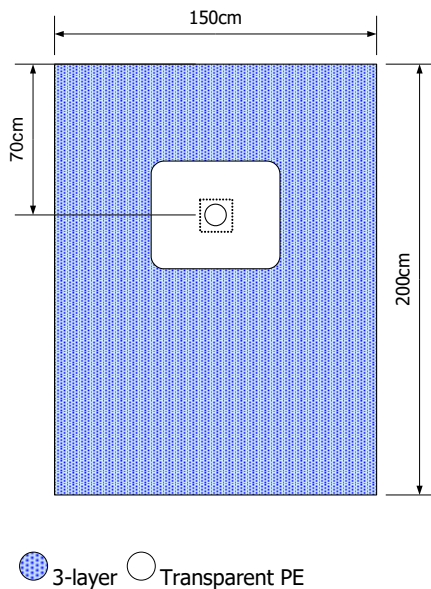
Material	Dimensions	Transparent PE	Reference number	Order number sterile
3-layer material	110 x 90 cm	35 x 45cm Ø12.5cm + ZIP	1303290	108989AA
Zip functionality, which allows you to safely remove the sheet without the use of scissors				

11.1.3 CV sheet, 200 x 150cm with transparent fenestration and ZIP functionality



Material	Dimensions	Reference number	Order number sterile
3-layer material	200 x 150cm, Ø 12.5cm	1303195	108740AA
3-layer material	200 x 150cm Ø 15cm	1303075	108385AA
Transparent PE 50 x 60cm			
Zip functionality, which allows you to safely remove the sheet without the use of scissors			

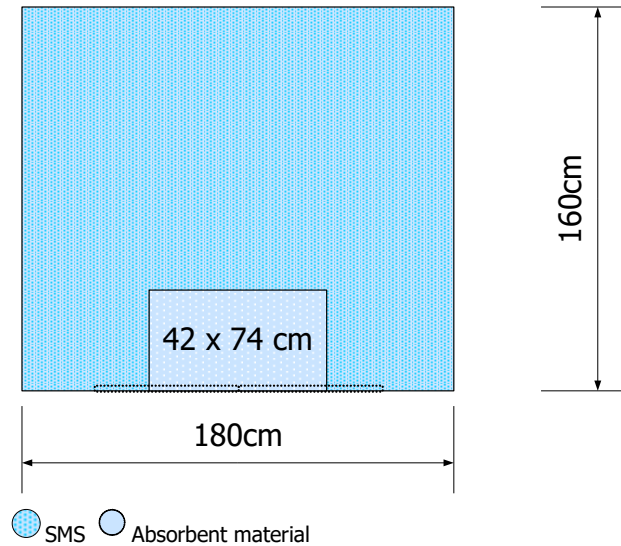
11.1.4 CV drape, 200 x 150cm, with transparent zone, without ZIP



Material	Dimensions	Reference number	Order number sterile
3-layer material	200 x 150cm	1302079	102444AA
Transparent PE 50 x 60cm			
Fenestration Ø10cm			

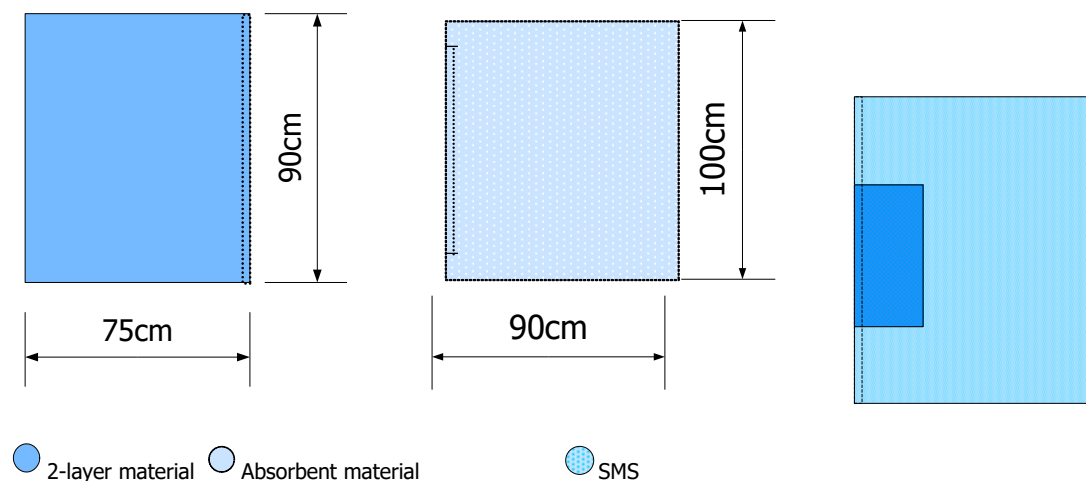
12 Pediatric drapes

12.1 Top/bottom sheet, PEDIATRICS (with narrow tape)



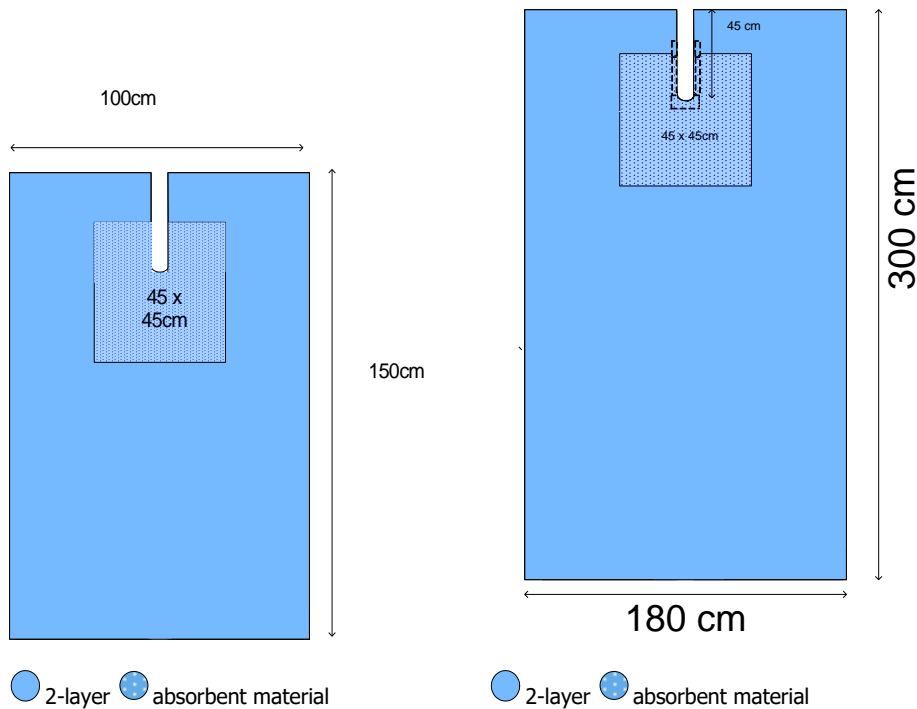
Material	Dimensions	Reference number	Order number sterile
SMS material	160 x 180cm	1303257	108820AA

12.2 Side drape, pediatrics (with small tape)



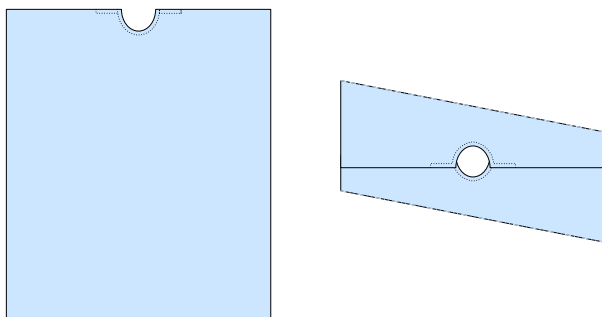
Material	Dimensions	Reference number	Order number sterile
2-layer material	90 x 75cm	1303070	110248AA
Absorbent material	100 x 90cm	1303256	108821AA
SMS	38 x 66 cm	1307628	tbd

12.3 Split drapes, PEDIATRICS (with small tape)



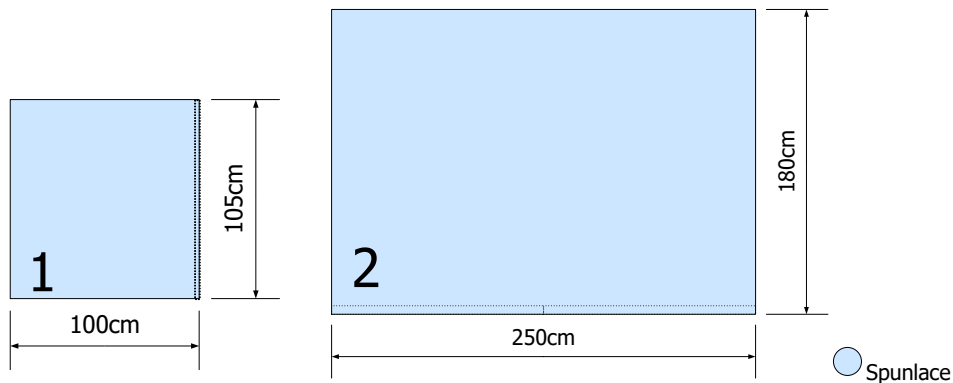
Material	Dimensions	Split size	Reference number	Order number sterile
2-layer	150 x 100cm	6 x 30cm	1303224	111666AA
2-layer	300 x 180cm	6 x 60cm	1303873	112227AA
Absorbent area 45 x 45cm				

12.4 Variable fenestrated drapes, PEDIATRICS (with small tape)



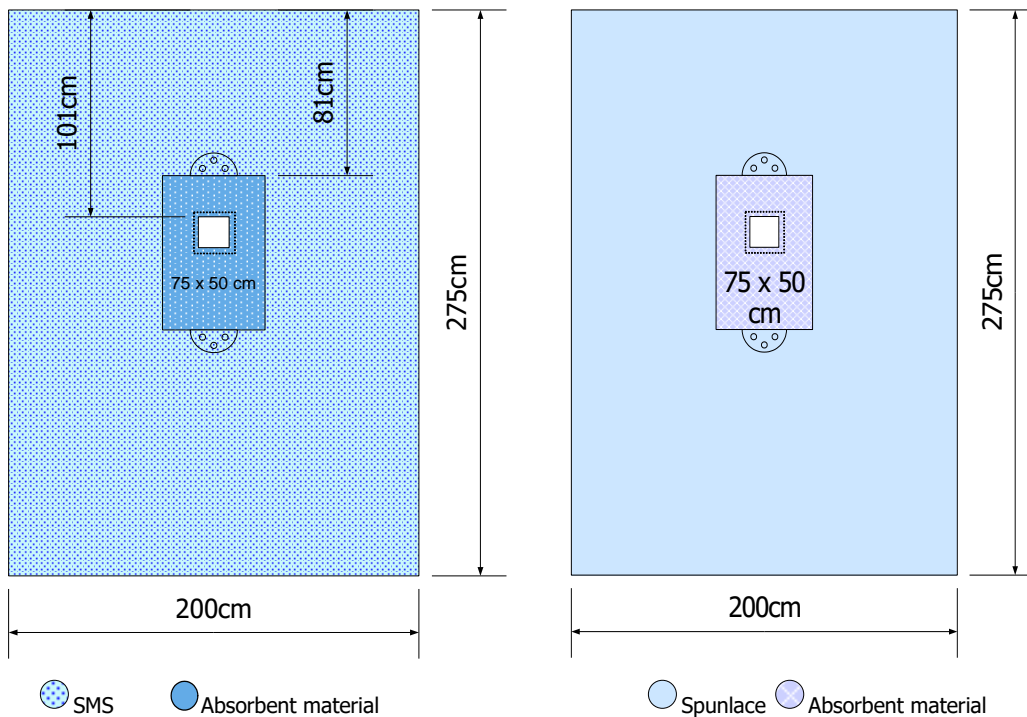
Material	Dimensions	Reference number	Order number sterile
Spunlace	150 x 170cm	1301824	110249AA
Spunlace	200 x 170cm	1307094	103476AA
fenestration maximum 22 x 28cm			
Tape 2.5cm			

12.5 Spunlace drapes, PEDIATRIC (with small tape)



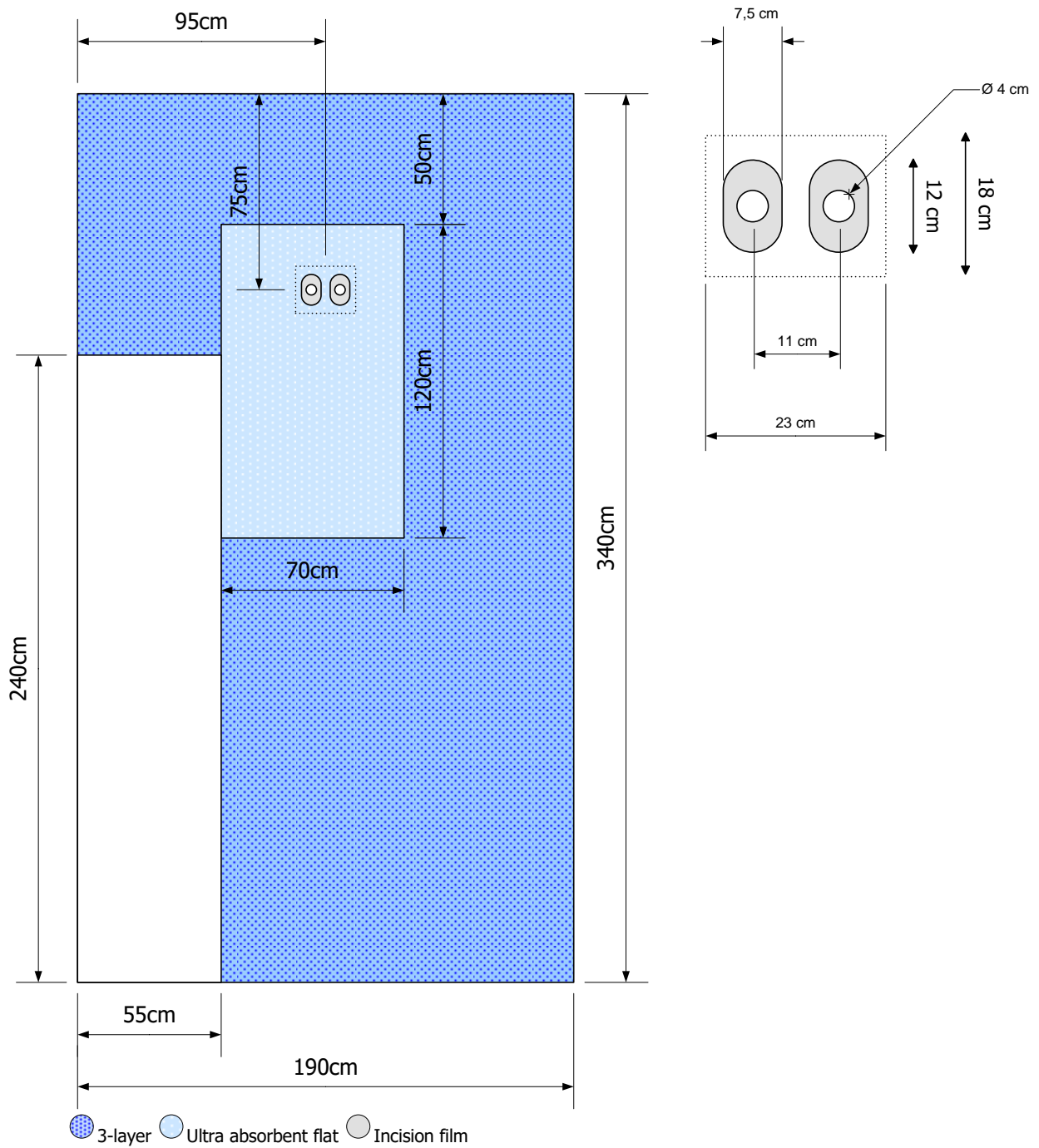
	Dimensions	Material	Reference number	Order number sterile
1	105 x 100cm	Spunlace	1307093	103844AA (tape 2.5cm)
2	180 x 250cm	Spunlace	1301555	103468AA (tape 2.5cm)

12.6 Fenestrated drapes, PEDIATRIC (with small tape)



Material	Dimensions	Reference number	Order number sterile
SMS	275 x 200cm, fenestration 15 x 15cm	1303277	112299AA
Spunlace	275 x 200cm, fenestration 15 x 15cm	1306951	103516AA
Absorbent area 75 x 50cm, tape 2.5cm around fenestration			

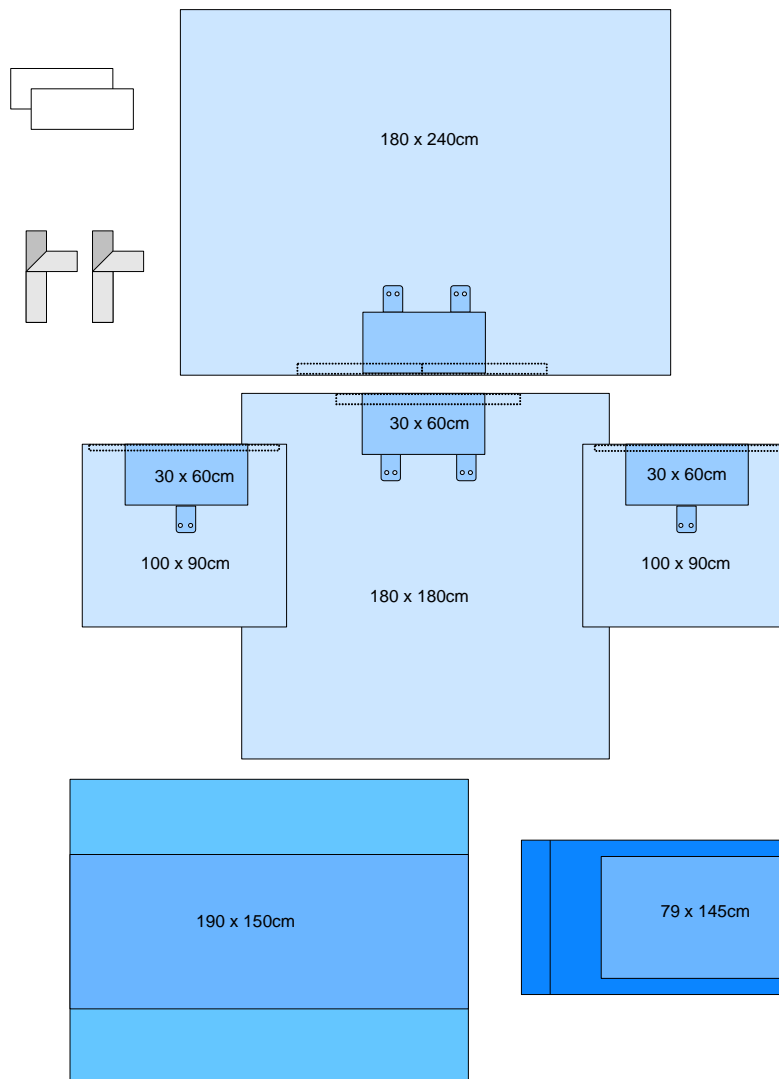
12.7 Angio sheet, PEDIATRICS



Material	Dimensions	Reference number	Order number sterile
3-layer	340 x 190 cm	1302095	104552AA
Oval fenestrations 18 x 7.5cm			
Incision film with fenestration Ø 4cm			
Absorbent area 120 x 70cm			

13 Standard sheet package

13.1 Universal package

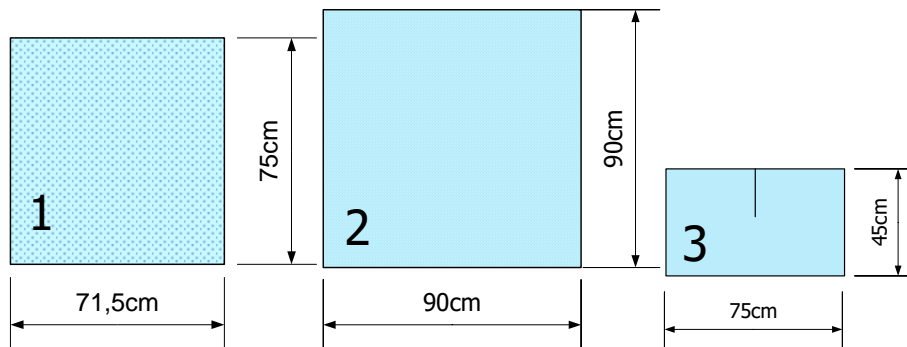


● 2-layer/SMS
 ● Absorbent area
 ● PE/blue
 ● PE/blue
 ● Absorbent area

77018EG Universal package 2-layer material HCD		
11002EG Universal package 2-layer material		
11000EGA Universal package SMS Material		
Description	Number	Dimensions
Top sheet	1	180 x 240cm
Side sheet	2	100 x 90cm
Bottom sheet	1	180 x 180cm
Instrument field	1	195 x 150cm
Transfer table cover	1	76 x 145cm
Tape strip	2	10 x 50cm
Towel	2	34 x 61cm

14. Drapes for outpatient applications

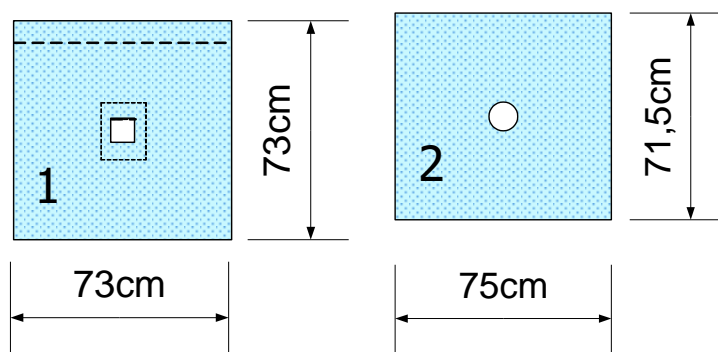
14.1 Tissue laminate drapes



Tissue laminate

	Material	Dimensions	Reference number	Folding method
1	Tissue laminate	75 x 71.5 cm	1303820 1303289	Unfolded Folded version
2	Tissue laminate	90 x 90cm	1309963	Unfolded
3	Tissue laminate, split	45x75cm	1304311	Folded version

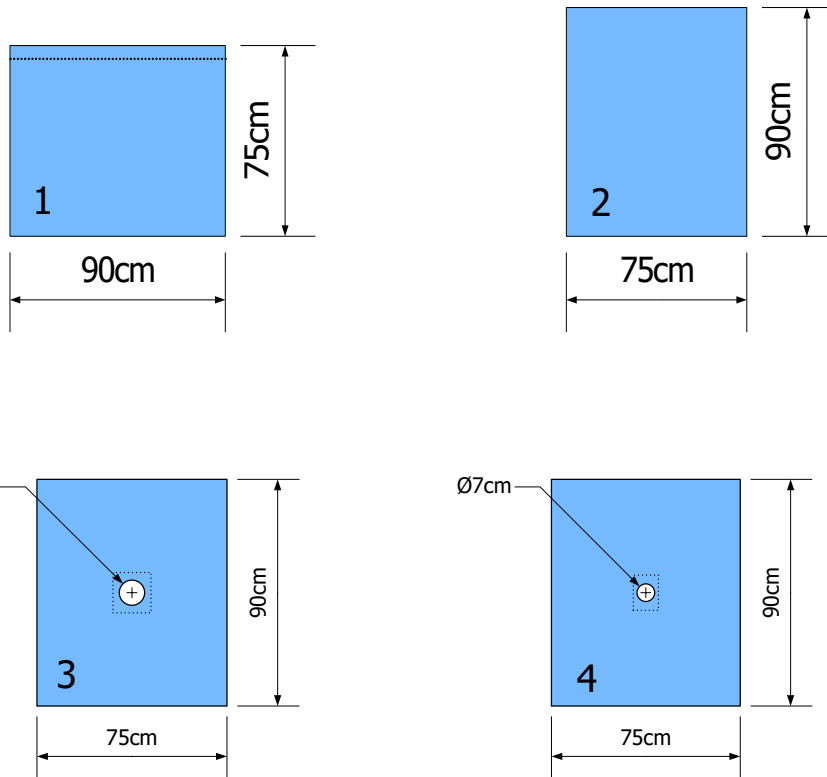
14.2 Tissue laminate fenestrated drapes




Tissue laminate

	Material	Dimensions	Fenestration	Reference number	Sterile number
1	Tissue laminate	73 x 73cm + TAPE top	8x8cm	1303480	tbd
2	Tissue laminate	75 x 71.5cm NO tape	Ø 10cm	1303288	115152AA

14.3 Small drapes, 2-ply material

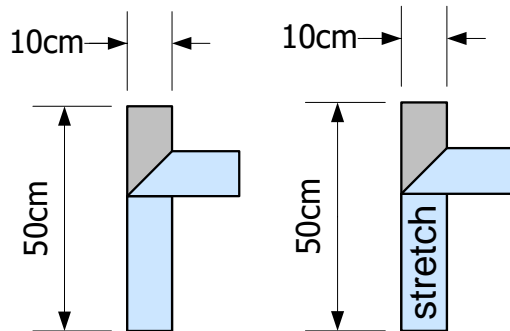


 2-layer material

	Material	Reference number	Order number sterile	Description	Quantity per box
1	2-layer	1309428	77000	75 x 90cm with tape	4x25 Dispenser box
2	2-layer	1309572	77001	75 x 90cm without tape	4x25 Dispenser box
3	2-layer	1309403	77002	75 x 90cm with tape and fenestration $\varnothing 10\text{cm}$	4x25 Dispenser box
4	2-layer	1301114	77003	75 x 90cm with tape and fenestration $\varnothing 7\text{cm}$	4x25 Dispenser box

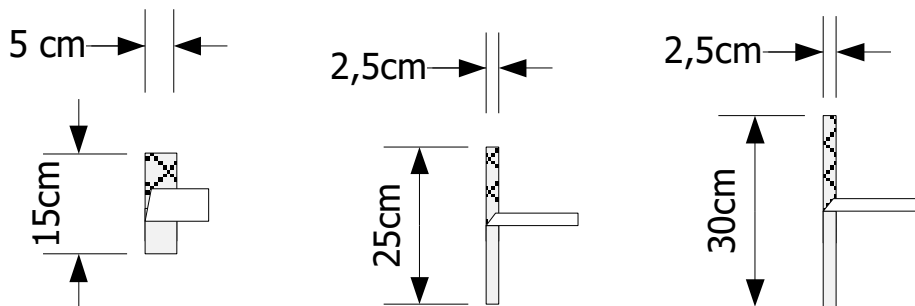
15. Accessories

15.1 Tape strip



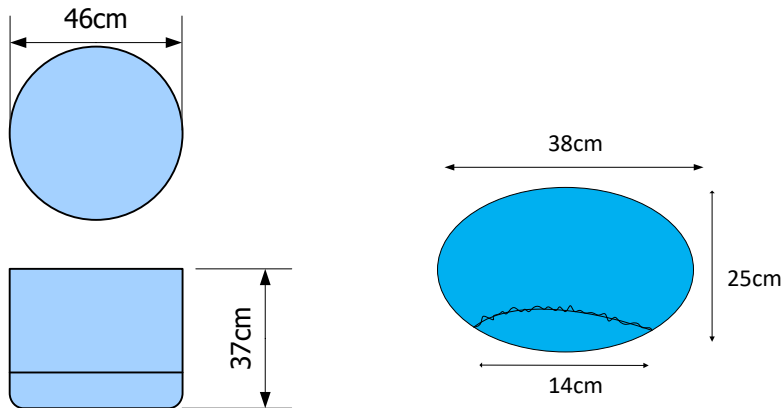
Material	Dimensions	Reference number	Order number sterile	Quantity per box
Standard	10 x 50cm	1302102	22T788C	200
Stretch	10 x 50cm	1302104	22T790A / 11172EG	200

15.2 Tube holder (velcro + tape version)



Material	Dimensions	Reference number	Order number sterile	Quantity per box
Velcro	15x5cm	1302933	108764AA	2x15
Velcro	25 x 2.5cm	1302934	110799AA	40
Velcro	30 x 2.5 cm	1302935	108604AA	2x50
Velcro	30x5cm	1304937	tbd	tbd
Tape	15 x 4 cm	1307563	118194AA	2x10
Tape	29 x 4 cm	1307564	118195AA	2x10

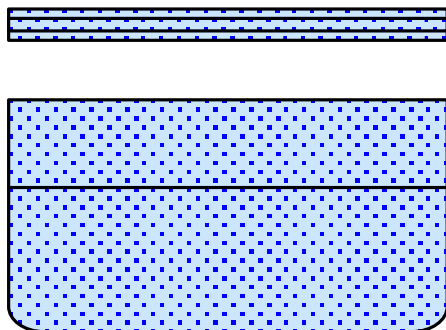
15.3 Chaircover (round)



● Airlaid/Wetlaid ● 2-layer material

Material	Dimensions	Reference number	Order number sterile
Airlaid/Wetlaid	37 x 72cm / round / cuff 10cm	1301341	117045AA (was 103509AA)
Spunlace	38 x 25cm / elastic	1304815	116935AA

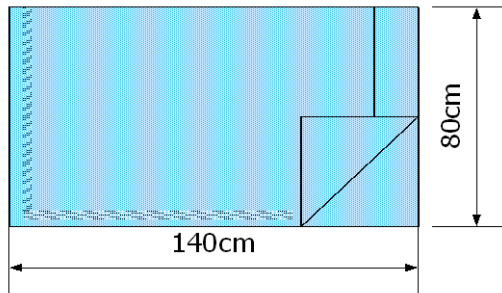
15.4 Backrest cover (flat)



● 2-layer material

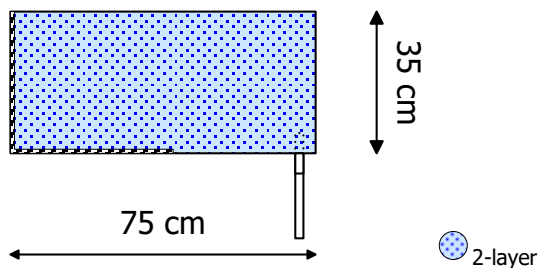
Material	Dimensions	Reference number	Order number sterile
2-layer	37 x 50cm / flat	1307214	112309AA
2-layer	37 x 70cm / flat	1302550	110935AA

15.5 Leg cover



Material	Dimensions	Reference number	Order number sterile
SMS	80 x 140cm	1301925	tbd
SMS	80 x 140cm	1301925x2	106260AA
2-layer	80 x 140cm	1304688x2	115844aa

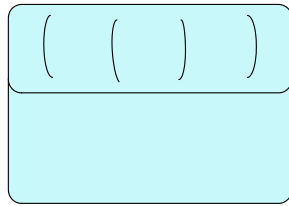
15.6 Armrest cover



Material	Dimensions	Reference number	Order number sterile
2-layer	35 x 75cm	1301739	112310AA

15.7 Stockinettes

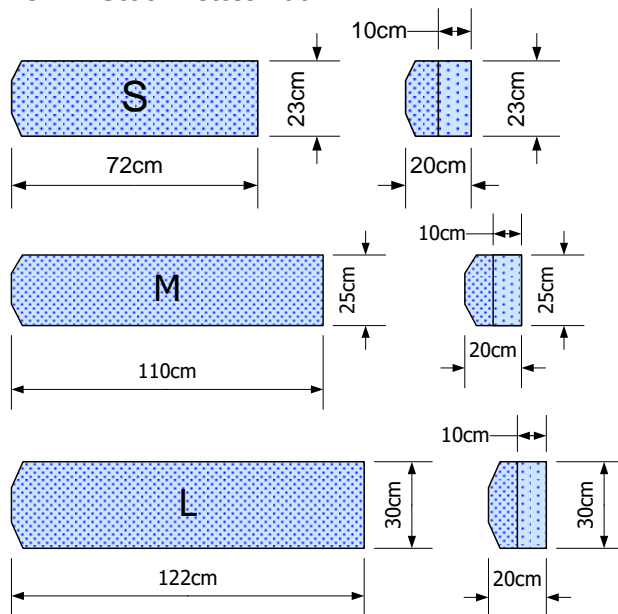
15.7.1 Roll stockinettes



○ 2-layer material

Material	Dimensions	Reference number	Order number sterile
2-layer material	22 x 70cm (S)	1307379	105763AA
2-layer material	30 x 122cm (L)	1307380	105764AA
2-layer stretch	17 x 76cm (S)	<u>1304793</u>	11002EG / 116581AA
2-layer stretch	21 x 121cm (L)	<u>1304792</u>	11003EG / 116582AA
2-layer stretch	30 x 121cm (XL)	1307674	tbd

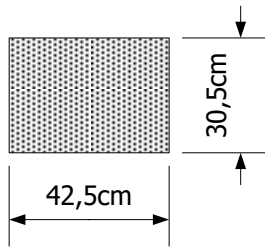
15.7.2 Stockinettes flat



● 2-layer material

Material	Dimensions	Reference number	Order number sterile
2-layer	72 x 23cm (S)	1301491	117075AA (was 104545AA)
2-layer	110 x 25cm (M)	1307243	117076AA (was 104546AA)
2-layer	122 x 30cm (L)	1301513	117077AA (was 104547AA)
Telescope folded			

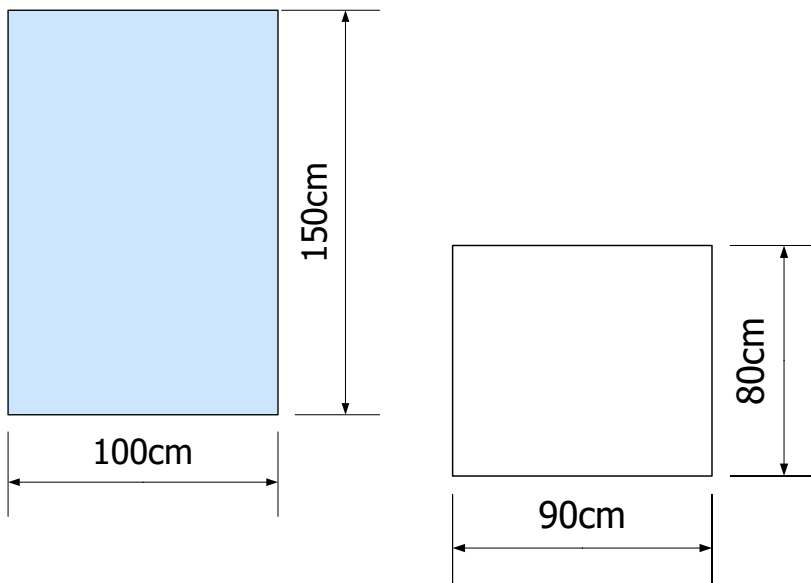
15.8 Towel



 Paper

Material	Dimensions	Reference number	Order number sterile	Quantity per box	Order number unsterile	Quantity per box
Paper	30.5 x 42.5 cm	1306929	117056AA (was 103666AA)	200	67500	900

15.9 Baby sheet

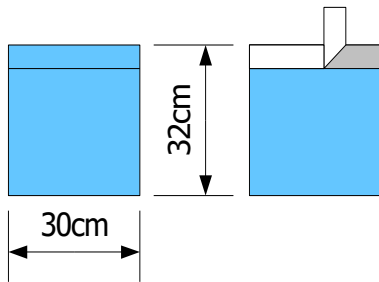


Spunlace non woven material white

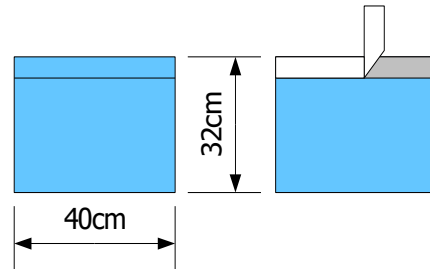
Material	Dimensions	Reference number	Order number sterile
Spunlace	150 x 100cm	1307684	tbd
Non-woven, white	90 x 80cm	1304679	115833AA

15.10 Diathermia bags

15.10.1 Diathermia bag, 1 compartment

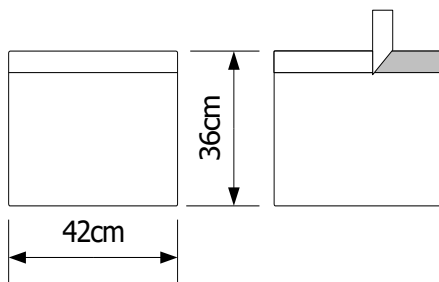


PE blue

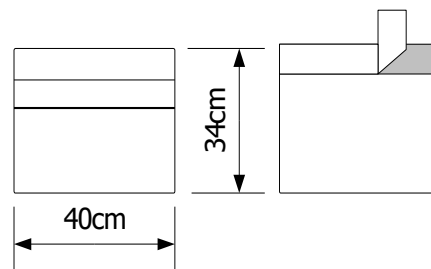


PE blue

Material	Dimensions	Reference number	Order number sterile
PE blue	32 x 30cm	<u>1302084</u>	103513AA
PE blue	32 x 40cm	1302149	103148AA
1 pocket, tape on the back			

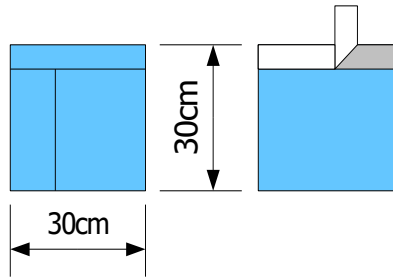


PE transparent PE transparent

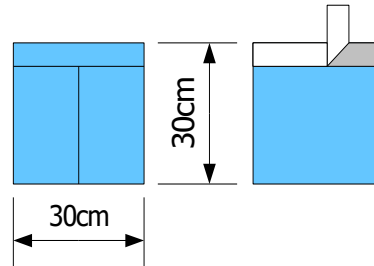


Material	Dimensions	Reference number	Order number sterile
PE transparent	36 x 42cm	1302265	108471AA
PE transparent	34 x 40cm, tape 7cm	1305854	108234AA
1 pocket, tape on the back			

15.10.2 Diathermia bag, 2 compartments

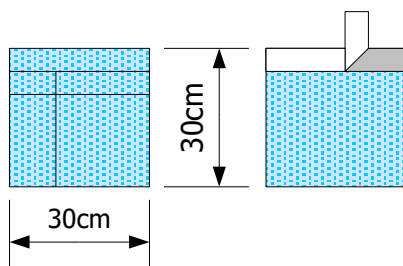


● PE/blue

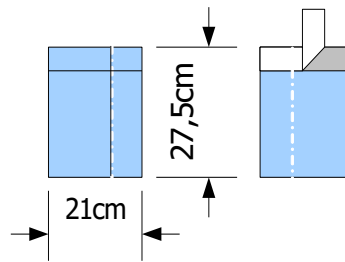


● PE/blue

Material	Dimensions	Reference number	Order number sterile	Division
PE blue	30 x 30cm	1302080	103664AA	10cm + 20cm
PE blue	30 x 30cm	1302082	2580810	15cm + 15cm
2 compartments, tape on the back				

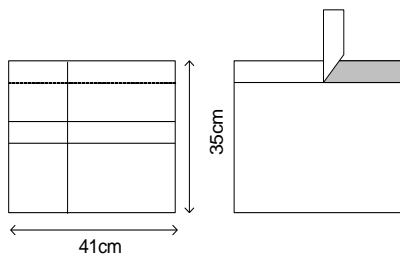


● SMS

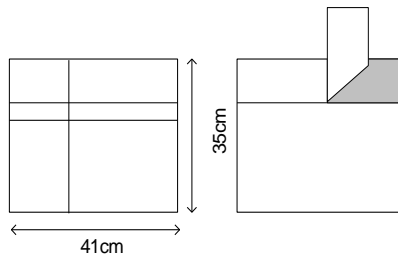


● Airlaid/Wetlaid

Material	Dimensions	Reference number	Order number sterile	Division
SMS	30 x 30cm	<u>1302185</u>	117046AA (was 103547AA)	10cm + 20cm
Airlaid/Wetlaid	27.5 x 21cm	1302078	103665AA	15cm + 6.5cm
2 compartments, tape on the back				

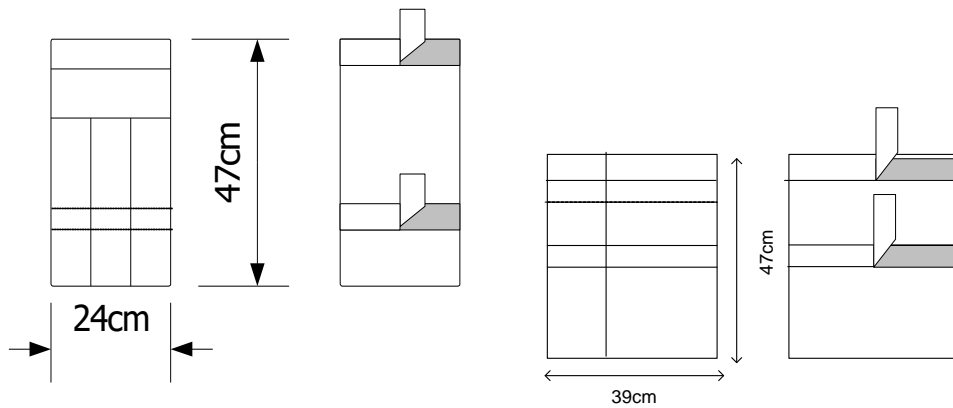


○ PE transparent ○ PE transparent



Material	Dimensions	Reference number	Order number sterile	Division
PE transparent	35 x 41cm	<u>1309480</u>	103019AA	14cm + 27cm
PE transparent	35 x 41cm, tape 10cm	1305218	108473AA	14cm + 27cm
2 compartments, tape on the back				

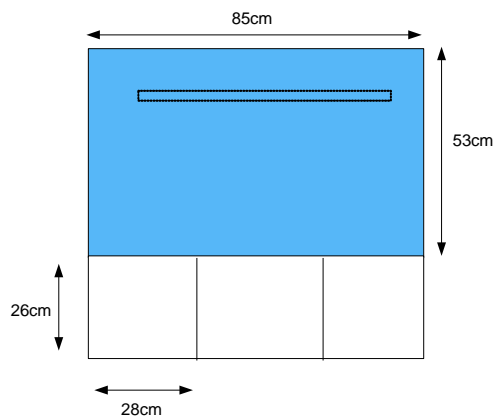
15.10.3 Diathermia/instrument bag, deep



PE transparent PE transparent

Material	Dimensions	Reference number	Order number sterile	Division
PE transparent	47 x 24cm	1302568	106613AA	8cm + 8cm + 8cm
PE transparent	47 x 39 cm	1307438	117408AA	13 + 26cm
PE transparent	48x25cm	tbd	68543	8cm + 8cm + 8cm
3 compartments, tape on the back				

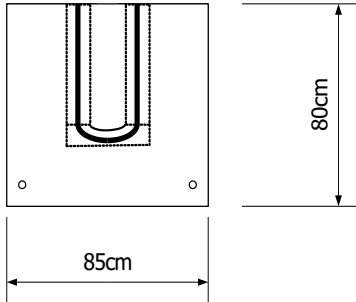
15.10.4 Endoscopy bag, 3 compartments



Material	Dimensions	Reference number	Order number sterile	Division
PE transparent + abs. material	79 x 87cm	1304404	114787AA	8cm + 8cm + 8cm

15.11 Fluid collection bags (Pouches)

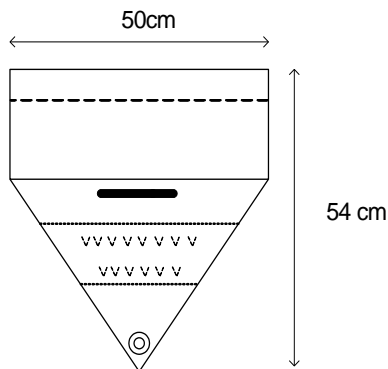
15.11.1 Fluid collection bag, U-shape, 80 x 85cm with split 55 x 14cm



Transparent PE

Material	Dimensions	Reference number	Order number sterile
Transparent PE	80 x 85cm	1303148	108390AA
Split 55 x 14cm, tape on back, 2x drain			

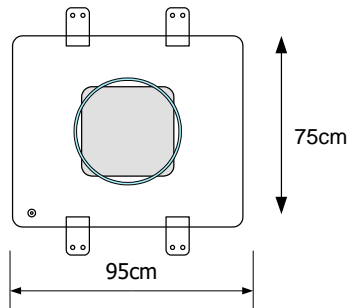
15.11.2 Fluid collection bag with sieve and drain facility



Transparent PE

Material	Dimensions	Reference number	Order number sterile
Transparent PE	54 x 50cm, depth 35cm	1309812	101428AA
Collection bag with sieve (perforated inner bag), drain option and flexwire			

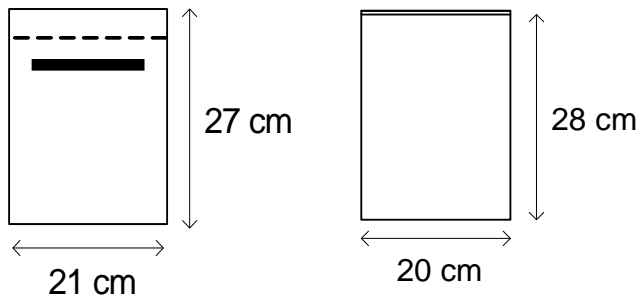
15.11.3 Collection bag, 360 °



Transparent PE

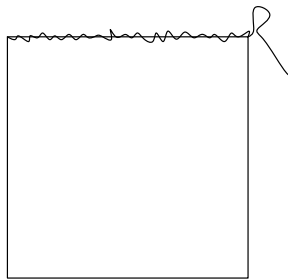
Material	Dimensions	Reference number	Order number sterile
Transparent PE	75 x 95cm	1304197	113795AA
Collection bag with sieve (perforated inner bag), drain option and flexwire			

15.11.4 Small bags



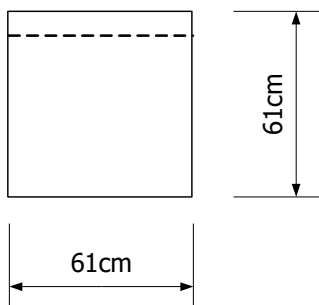
Transparent PE

Material	Dimensions	Reference number	Order number sterile
Transparent PE + tape + flexwire	27 x 21cm	1301318	110952AA
Transparent PE + slider grip	28 x 20cm	1302512	tbd
Paper + tape	31 x 18cm	1306957	
<i>Can also be used as a remote control bag or waste bag</i>			



Transparent PE

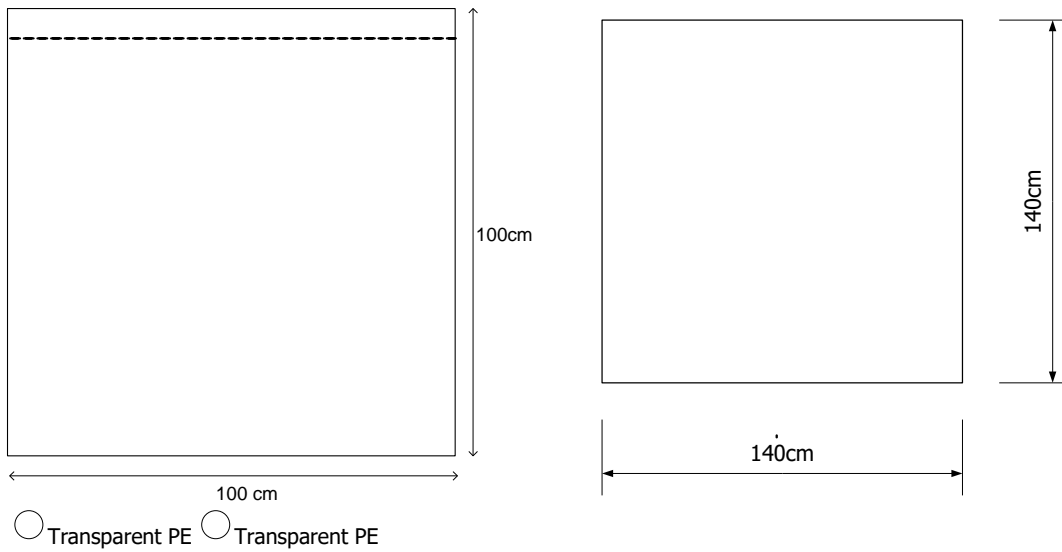
Material	Dimensions	Reference number	Order number sterile
Transparent PE + STRING	51 X 51cm	1304571	34934 (E)
Transparent PE + STRING	20 x 15cm	1308033	tbd
Can also be used to cover the foot			



Transparent PE

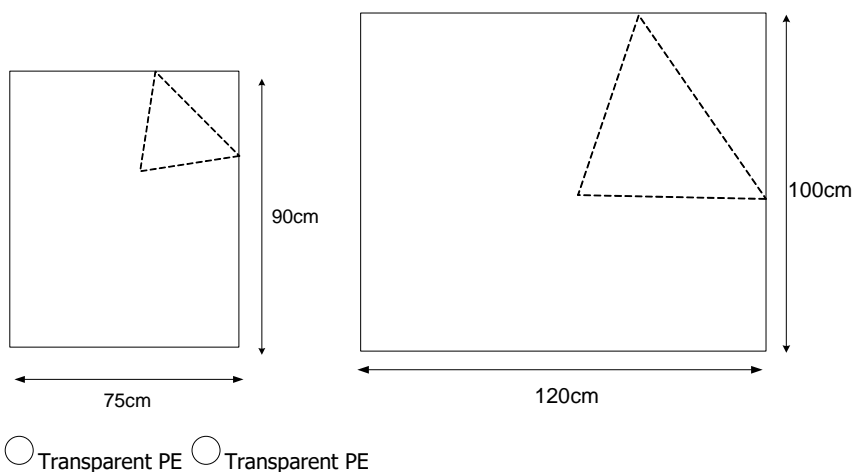
Dimensions	Material	Reference number	Order number sterile
61 x 61cm	Transparent PE	1304184	68544 / 113979AA

15.11.5 Collection bag with tape, 100 x 100cm (hip)



Material	Dimensions	Reference number	Order number sterile
Transparent PE	100 x 100cm, TAPE	1303542	110431AA
Transparent PE	140 x 140cm	1306800	101964AA

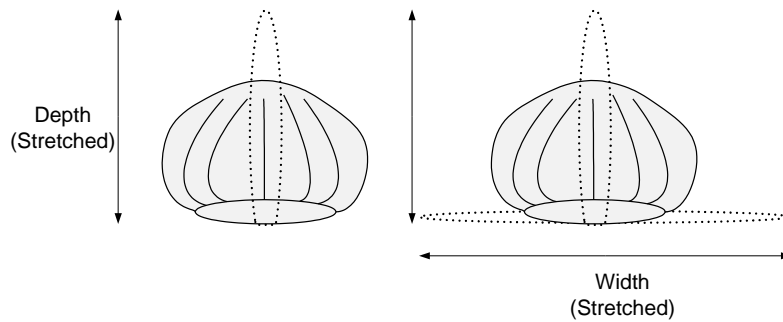
15.12 Transparent covers with 2 sides open



Material	Dimensions	Reference number	Order number sterile
Transparent PE	90 x 75cm	1303391	tbd
Transparent PE	100 x 120 cm	1303663	tbd

16 Equipment covers

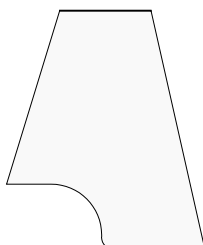
16.1 Dome bags, round



○ Transparent PE

Dimensions depth	Reference number	Order number single STERILE
25cm	1306306	tbd
35cm	1302955	68577
38cm	1306197	tbd
43cm	1303198	68565
46cm	1308756	2541140
51cm	1304854	68538
56cm	1306195	tbd
61cm	1306199	68530
64cm	tbd	68523
66cm	1306166	68569
115cm	tbd	68522
130cm	1304861	tbd
140cm	tbd	68505

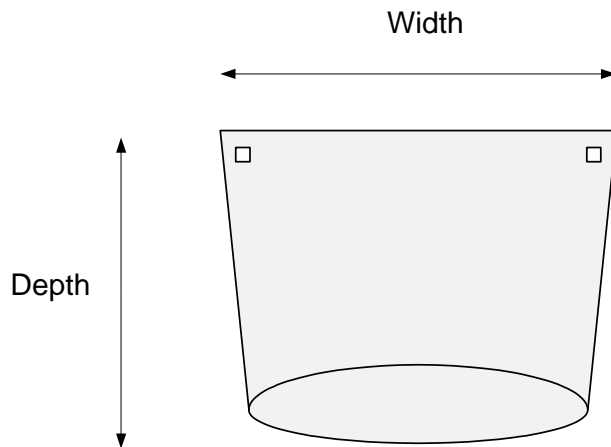
16.2 Band bags, special



○ Transparent PE

Dimensions	Reference number	Order number sterile
81 x 95cm, NOSE SHAPE	1302386	68531 / 106308AA
89 x 120cm, NOSE SHAPE	1304638	68561

16.3 Band bags, square



○ Transparent PE

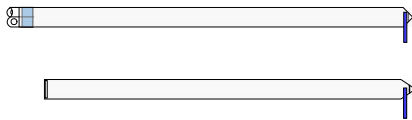
Dimensions (WxD)	Reference number	Order number Single STERILE
42 x 38cm	1304830	tbd
53 x 61cm	1304745	tbd
76 x 33cm	1307410	tbd
76x76cm	1306204	68563
76 x 91cm	1306205	68524
91 x 51cm	1306206	68552 / 105832AA
91 x 76cm	1306207	68559
91 x 91cm	1304772	68549
91 x 104cm	1306208	68582 /103744AA
91 x 112cm	ntb	68568
91 x 127cm	1306209	108761AA
95 x 85cm	1303698	ntb
102 x 97cm	1304441	68580
102 x 102cm	1304201	68575
107 x 76cm	1306211	104425AA
107 x 102cm	1306212	103724AA
107 x 117cm	1304681	tbd
122 x 65cm	1306213	68596
122 x 122cm	tbd	68583
127 x 91cm	1306214	68557
127 x 127cm	1304873	68500

16.4 Drill covers



Material	Dimensions	Reference number	Order number sterile
Transparent PE+ 2x tape	8 x 120cm	1307182	68555
Transparent PE open end + telescope	8 x 200cm	1309685	tbd
Transparent PE + insert card	8.5 x 175cm	1304361	68510
SMS	10 x 115cm	1302676	tbd
2-layer	10 x 120cm	tbd	94003A
Transparent PE+ 2x tape	10 x 250cm	Ntb	68581
P.E	10.5 x 150cm	tbd	68520

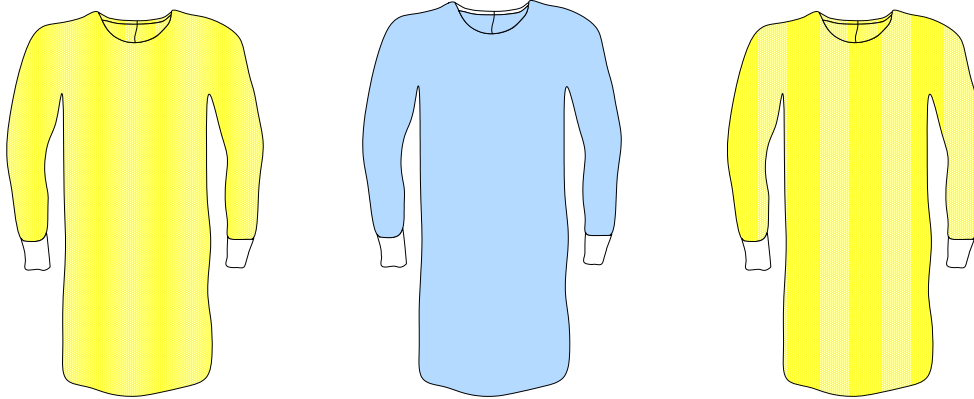
16.5 Camera covers



Material	Dimensions	Reference number	Order number sterile
PE, open ended	8 x 120cm	1302670	tbd
PE, insert card	8 x 172cm	1302557	tbd
PE, perfect tip	13 x 235cm	1301484	106336AA
PE, insert card	13 x 242cm	1306397	tbd
PE, perfect tip	13 x 244cm	1304372	tbd
PE, perfect tip, reverse folding	13 x 244cm	1304732	tbd
PE, perfect tip, insert card	13 x 250cm	1304439	68551
PE, perfect tip, insert card	13 x 259cm	1304589	68521
PE, ring, perf. tip	15 x 244cm	1302490	tbd
PE, perfect tip, ring	15 x 249cm	tbd	68595
PE, insert card, concertina folded	15 x 250cm	1301214	30024
PE, open tip, insert card	15 x 280cm	tbd	68578
PE, kraton tip, telescopic folding	17.5 x 240cm	1301974	tbd
PE, elastic. tip, white, insert card	18 x 244cm	1304920	68534
PE, elastic. tip, blue, insert card	18 x 244cm	tbd	68535
PE, elastic. Hint, blue	18 x 244cm	1304936	tbd
PE, elastic. closed system	18 x 246cm	1302786	110795AA
PE, elastic. kraton, white, telescopic fold	18 x 246cm	1301280	105728AA
PE, coupler system	23 x 244cm	tbd	68542

17 Disposable clothing

17.1 Visitor gowns

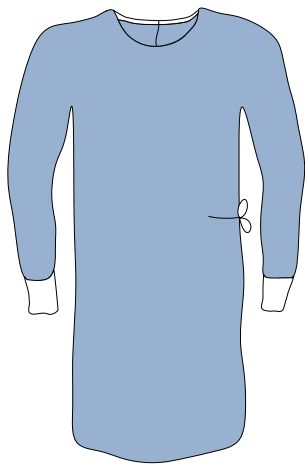


● PSB ● PSB

● PSB/PE layer

Material	Mate	Reference number	Order number not sterile	Quantity per unit
PSB	XL, yellow	1301691	06542	100
PSB	XL, blue	tbd	06579	100
PSB with PE layer	XL, yellow	tbd	06670	100

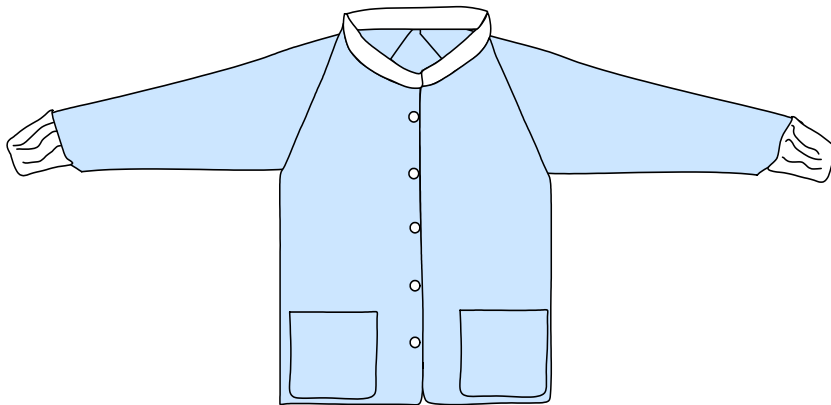
17.2 SMS insulation gown (with side closure)



● SMS

Material	Mate	Reference number	Order number not sterile	Quantity per unit
SMS	XL with tie ribbon	1307630	06580	100
SMS	L, with velcro	tbd	06667	100
SMS	XL, with velcro	Ntb	06687	100

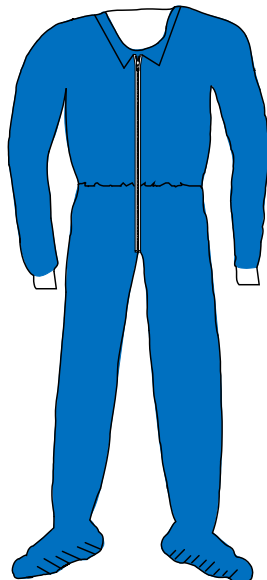
17.3 Warm-up jacket



● Spunlace

Material	Mate	Reference number	Order number not sterile	Quantity per unit
Spunlace	M/L with long sleeves	1302777	106914AA	40
Spunlace	XL with long sleeves	1303159	108286AA	30
Spunlace	XL with long sleeves	Ntb	06693	50
Spunlace	XL with half sleeve	Ntb	06692	50
Spunlace	M/L with half sleeve	1307298	117068AA (was 104201AA)	45

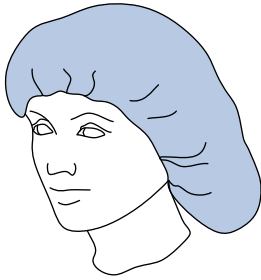
17.4 Coverall



● SMS

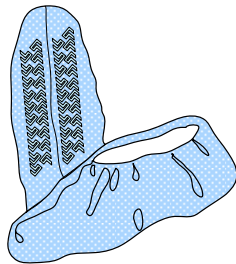
Material	Mate	Order number not sterile	Quantity per unit
SMS	XL	06664	50
SMS	XXL	06665	50

17.5 Bouffant cap



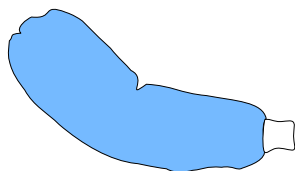
Description	Reference number	Order number not sterile	Quantity per unit
Bouffant 24 inch(61cm) large	1301915	06582A	1000
100 pieces in a dispenser box, 10 dispenser boxes in a box			

17.6 Shoe covers



Description	Reference number	Order number not sterile	Quantity per unit
ANTI slip shoe cover	1301673	06536	300
100 pieces in a dispenser box, 3 dispenser boxes in a box			

17.7 Sleeve

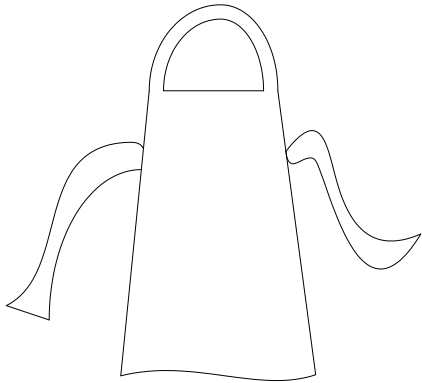


● 2-layer material

Material	Dimensions	Reference number	Order number sterile	Order number not sterile
2-layer	46cm	1306944	117062AA (was 103680AA)	17085

17.8 Aprons

17.8.1 Apron without sleeves

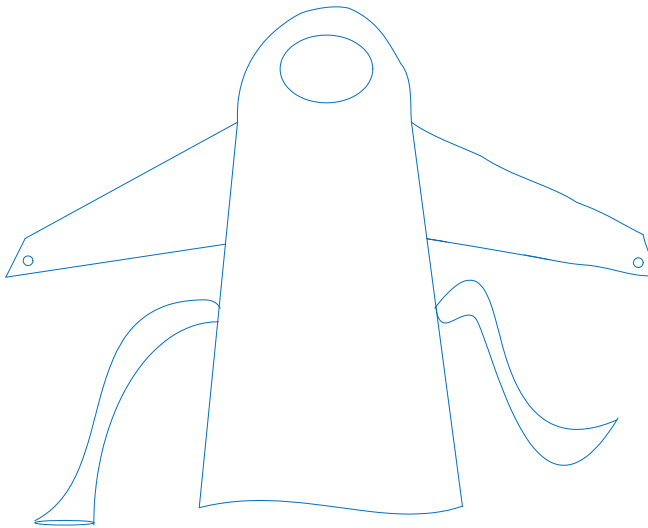


PE white

Material	Dimensions	Reference number	Order number not sterile	Quantity per unit
PE white	80 x 125cm	tbd	06668	500
PE white	80 x 165cm	tbd	06669	500

100 pieces in a bag, 5 dispenser bags in a box

17.8.2 Apron with sleeves



PE blue

Material	Dimensions	Reference number	Order number not sterile	Quantity per unit
PE blue	80 x 125cm	tbd	06470	200

10 pieces in a bag, 20 bags in a box

